

COASTER
FINE FURNITURE®

800892

CAPPUCCINO COMPUTER DESK

ASSEMBLY INSTRUCTION
COASTER FINE FURNITURE



www.coastercompany.com

ASSEMBLY INSTRUCTION

ASSEMBLY TIPS:

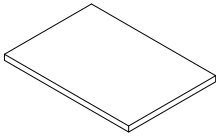
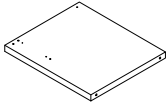
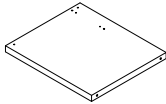
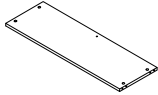
- 1.Remove hardware from box and sort by size.
- 2.Please check to see that all hardware and parts are present prior to start of assembly.
- 3.Please follow attached instructions in the same sequence as numbered to assure fast & easy assembly.

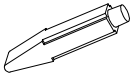
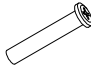
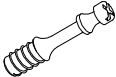




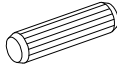
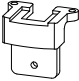
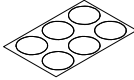



Warning!

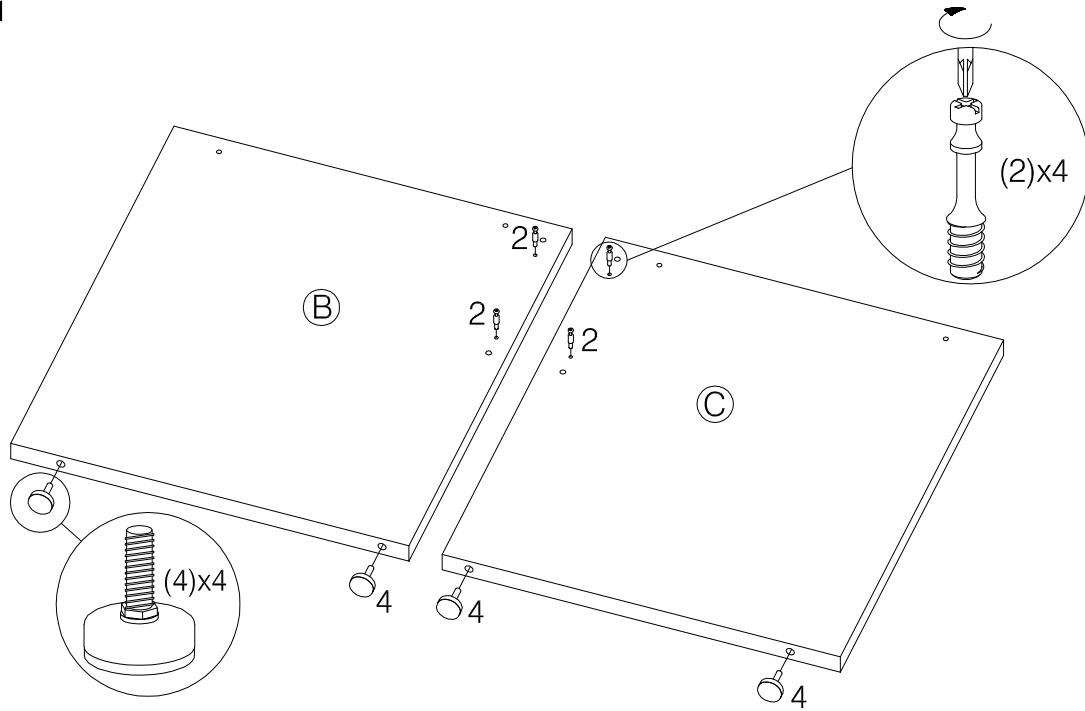
- 1.Don't attempt to repair or modify parts that are broken or defective.Please contact the store immediately.
- 2.This product is for home use only and not intended for commercial establishment.

PARTS IDENTIFICATION:

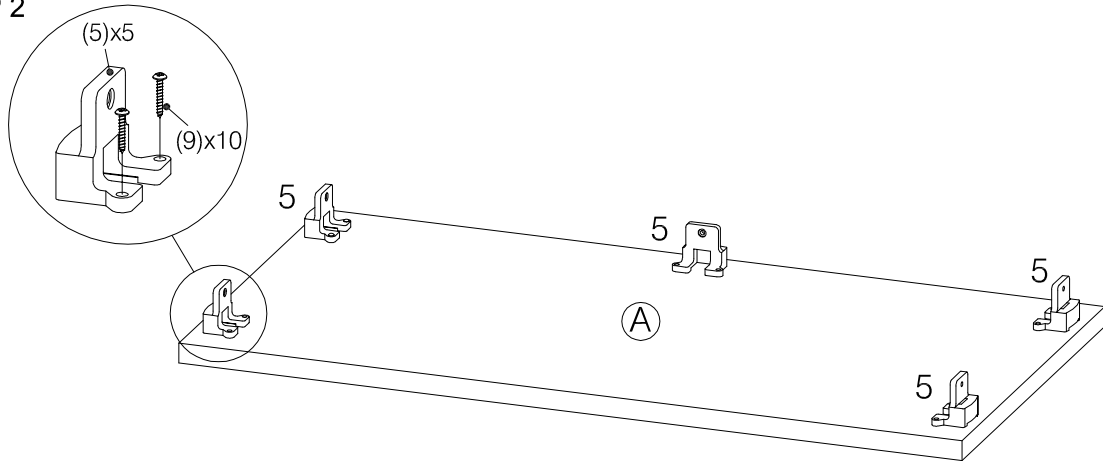
(A) TOP PANEL		1PC	(C) RIGHT SIDE PANEL		1PC
(B) LEFT SIDE PANEL		1PC	(D) BACK PANEL		1PC

Z	HARDWARE PACKAGE						
NO	DESCRIPTION	FIGURE	Q'TY	NO	DESCRIPTION	FIGURE	Q'TY
1	GLUE 15g		1PC	7	BOLT ϕ 6.2x45mm		4PCS
2	CAM BOLT ϕ 7x35.5mm		4PCS	8	BOLT ϕ 6.2x18mm		1PC
3	CAM LOCK ϕ 15x12mm		4PCS	9	SCREW ϕ 4.2x25.4mm		10PCS
4	ADJUSTMENT FEET ϕ 35x17.2mm		4PCS	10	WOODEN DOWEL ϕ 8x30mm		4PCS
5	COUPLER		5PCS	11	STICKER ϕ 20		1PC
6	BOLT ϕ 4.5x12mm		5PCS				

STEP 1

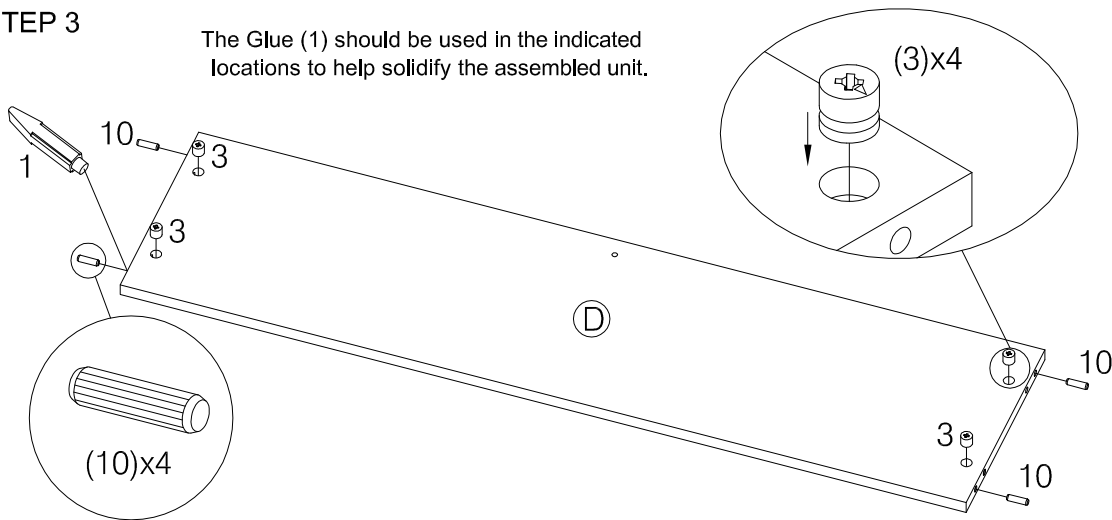


STEP 2

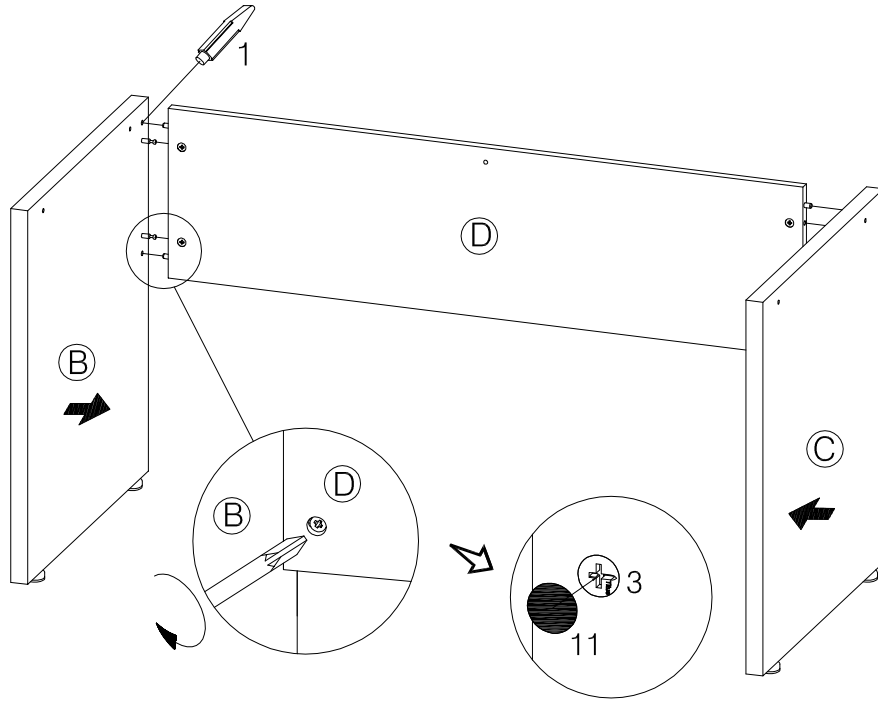


STEP 3

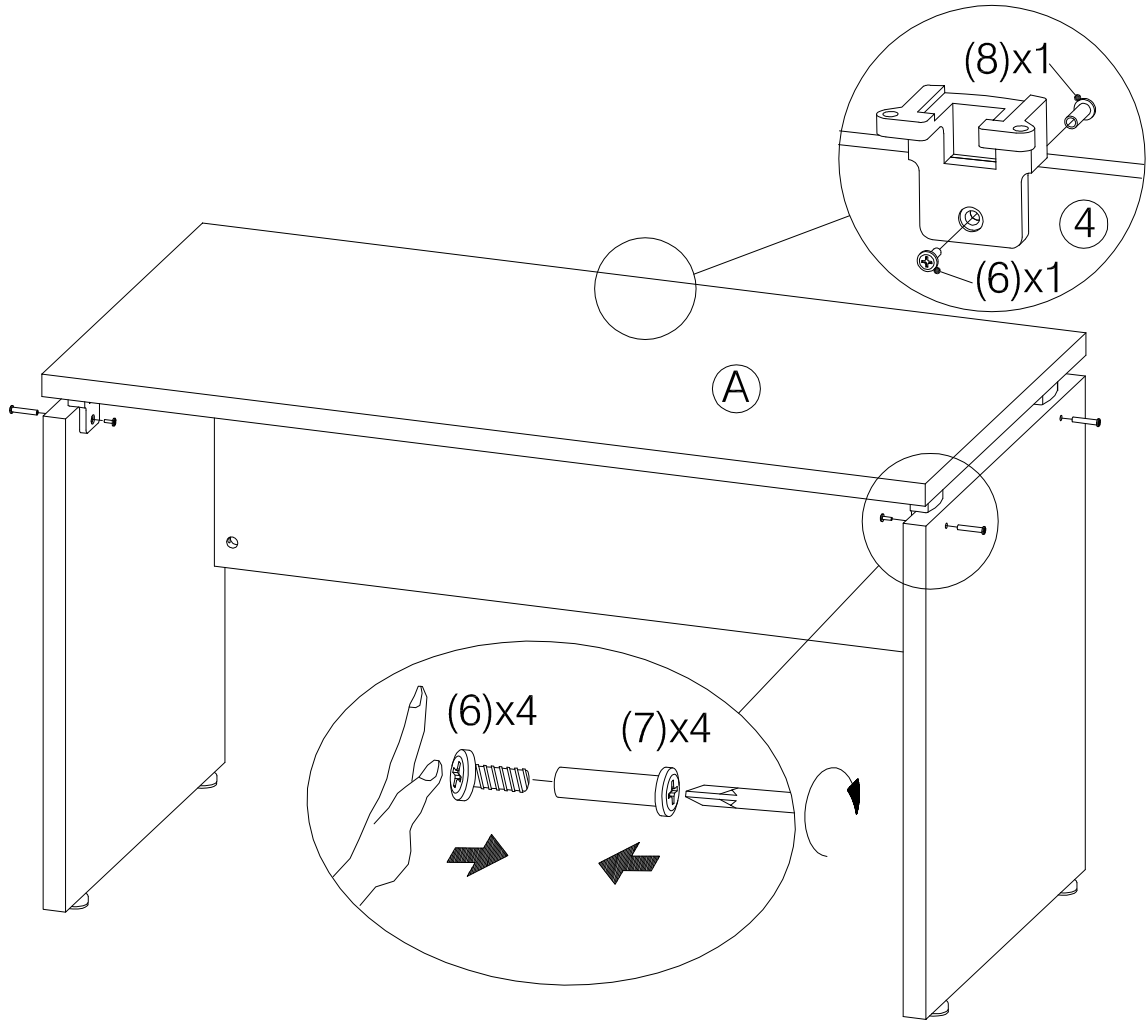
The Glue (1) should be used in the indicated locations to help solidify the assembled unit.



STEP 4



STEP 5



Assembly Instruction as below:

Step 1: Insert and screw (2) into the holes on the (B)/(C) , then turn (4) attached on the bottom of (B)/(C).

Step 2: Connect (5) with (A) by (9).

Step 3: Insert (10) into the holes at two sides of (D) , Insert (3) into the holes on the (D).

Step 4: Place (D) between (B)/(C) , when(2) is connected inside (3) , tightly fasten (3) clockwise and cover all holes with wood colored stickers (11) .

Step 5: Connect (A) with (B)/(C) by (6)&(7) , Connect (A) with (D) by (6)&(8).