

**COASTER**  
FINE FURNITURE®

**800893**

**CAPPUCCINO CORNER DESK TOP ONLY**

**ASSEMBLY INSTRUCTION  
COASTER FINE FURNITURE**



**[www.coastercompany.com](http://www.coastercompany.com)**

ASSEMBLY INSTRUCTION

ASSEMBLY TIPS:

- 1.Remove hardware from box and sort by size.
- 2.Please check to see that all hardware and parts are present prior to start of assembly.
- 3.Please follow attached instructions in the same sequence as numbered to assure fast & easy assembly.

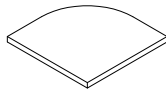


Warning!

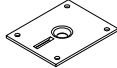
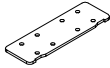
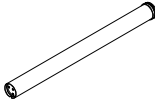

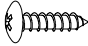
- 1.Don't attempt to repair or modify parts that are broken or defective.Please contact the store immediately.
- 2.This product is for home use only and not intended for commercial establishment.

PARTS IDENTIFICATION:

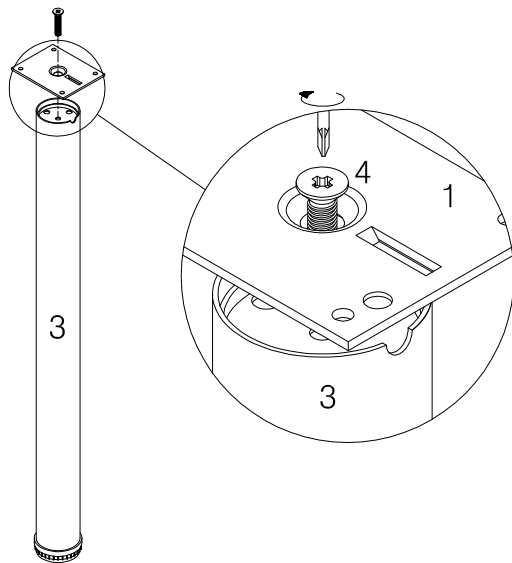
(A) TOP PANEL



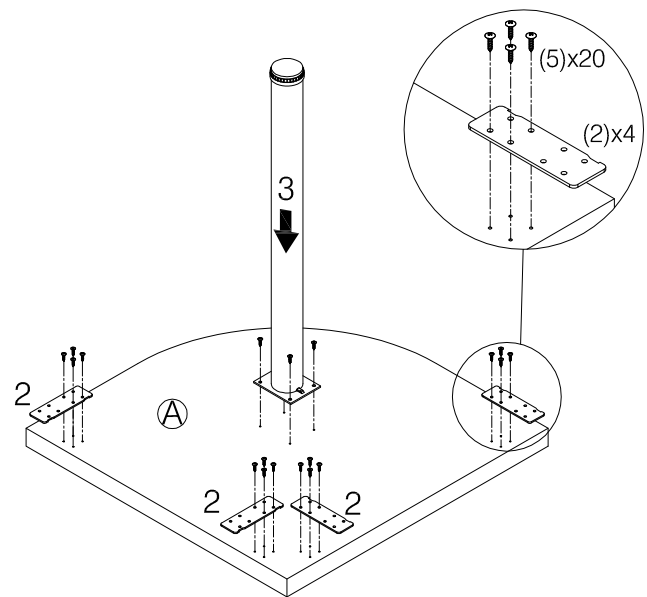
1PC

Z	HARDWARE PACKAGE		
NO	DESCRIPTION	FIGURE	Q'TY
1	LEG PLATE		1PC
2	METAL PLATE		4PCS
3	IRON PIPE $\phi$ 60x734mm		1PC
4	BOLT M8x39mm		1PC
5	SCREW $\phi$ 4x16mm		20PCS

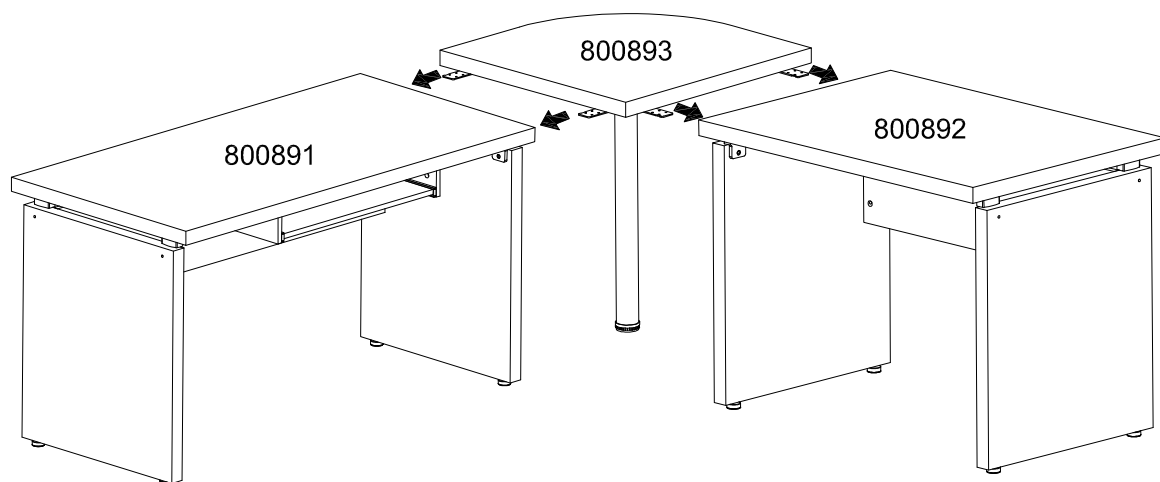
## STEP 1



## STEP 2



## STEP 3



Assembly Instruction as below:

Step 1: Connect (1) with (3) by (4).

Step 2: Connect (2)/(3) with (A) by (5).

Step 3: Insert (2) between computer desk and desk.