



801327

OFFICE CHAIR

ASSEMBLY INSTRUCTION



www.coastercompany.com

ASSEMBLY INSTRUCTION

ASSEMBLY TIPS :

- 1.Remove hardware from box and sort by size.
- 2.Please check to see that all hardware and parts are present prior to start of assembly.
- 3.Please follow attached instructions in the same sequence as numbered to assure fast & easy assembly.











Warning !




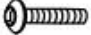

- 1.Don't attempt to repair or modify parts that are broken or defective.Please contact the store immediately.
- 2.This product is for home use only and not intended for commercial establishment.

ASSEMBLY TIME PER UNIT:	30 MINUTES
-------------------------	------------

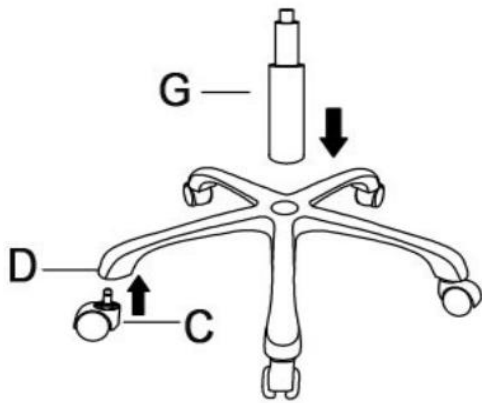
PARTS IDENTIFICATION:

Z HARDWAREPACKAGE

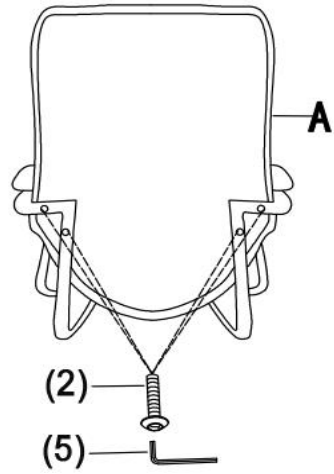
- (A) BACK  1PC
- (B) SEAT  1PC
- (C) CASTER  5PC
- (D) BASE  1PC
- (E) RIGHT ARM  1PC
- (F) LEFT ARM  1PC
- (G) GAS LIFT  1PC
- (H) ADJUSTING PLATE  1PC

NO.	DESCRIPTION	FIGURE	Q'TY
1	WASHER	 M6*18*1.2	8PCS
2	LONG BOLT	 M6*40	4PCS
3	BOLT	 M6*20	4PCS
4	LONG BOLT	 M6*40	4PCS
5	ALLEN WRENCH	 M6	1PCS

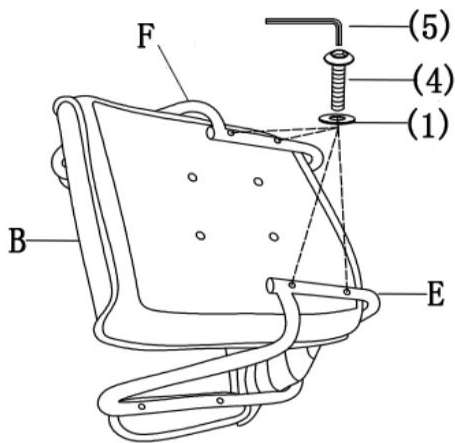
STEP1



STEP2



STEP3



STEP4

