



801751

Desk

ASSEMBLY INSTRUCTIONS

www.coastercompany.com

2017-05-10

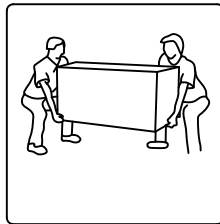
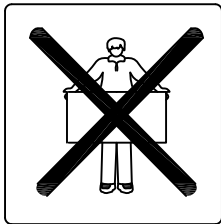
ASSEMBLY INSTRUCTION

ASSEMBLY TIPS:

- 1.Remove hardware from box and sort by size.
- 2.Please check to see that all hardware and parts are present prior to start of assembly.
- 3.Please follow attached instructions in the same sequence as numbered to assure fast & easy assembly.

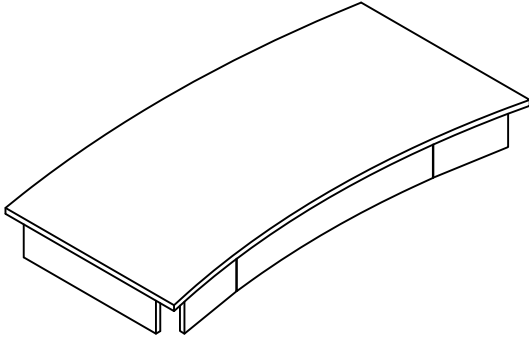


⚠ Warning!


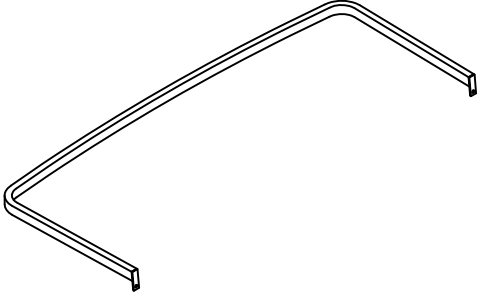
- 1.Don't attempt to repair or modify parts that are broken or defective. Please contact the store immediately.
- 2.This product is for home use only and not intended for commercial establishment.





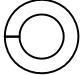
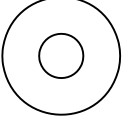




ASSEMBLY TIME PER UNIT	30 MINUTES
------------------------	------------

PARTS IDENTIFICATION

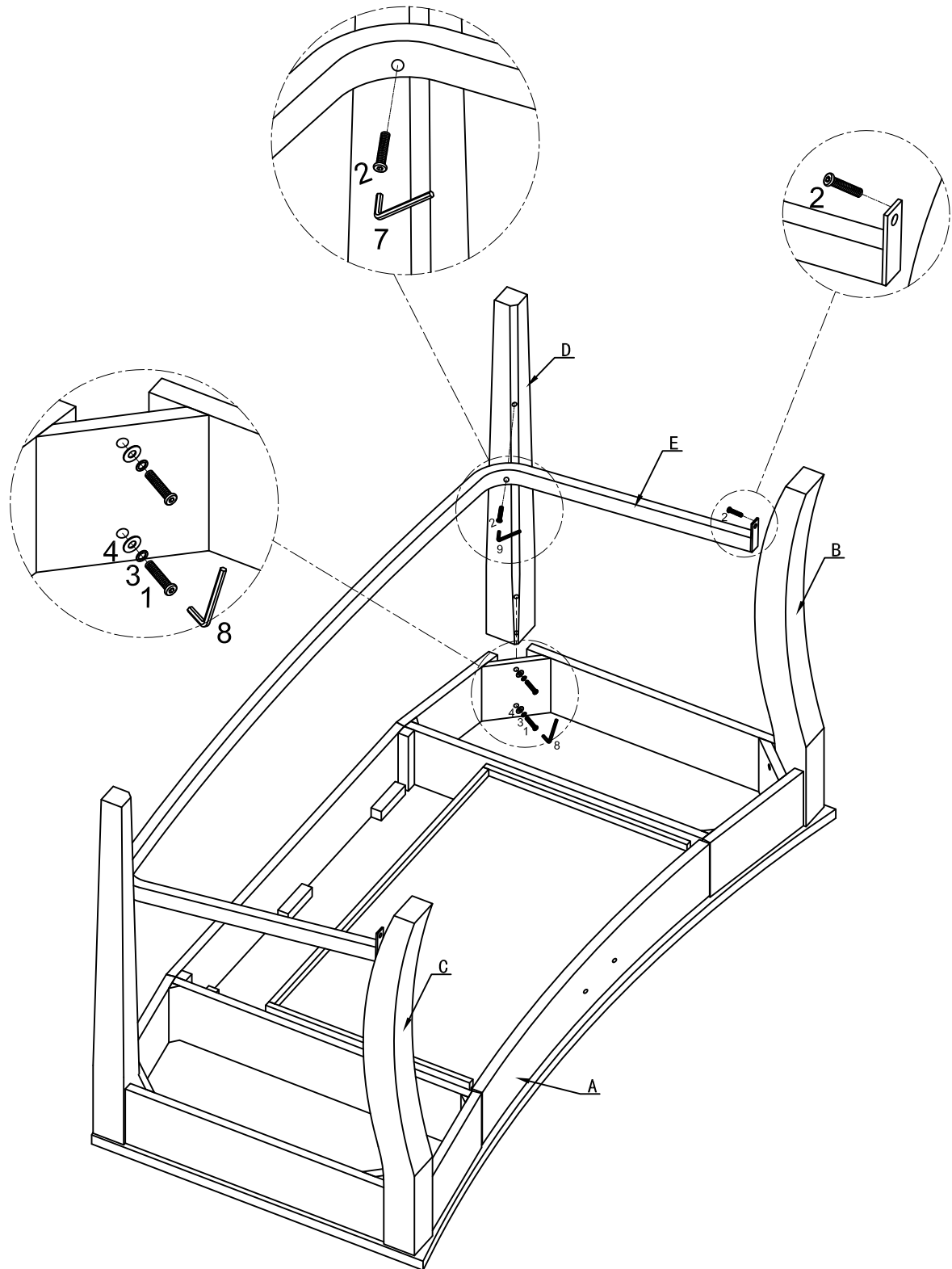
<p>A</p>	<p>Top</p>		<p>1PC</p>
<p>B</p>	<p>Left Front Leg</p>		<p>1PC</p>
<p>C</p>	<p>Right Front Leg</p>		<p>1PC</p>

D	Back Leg		2PCS
E	Leg Support		1PC

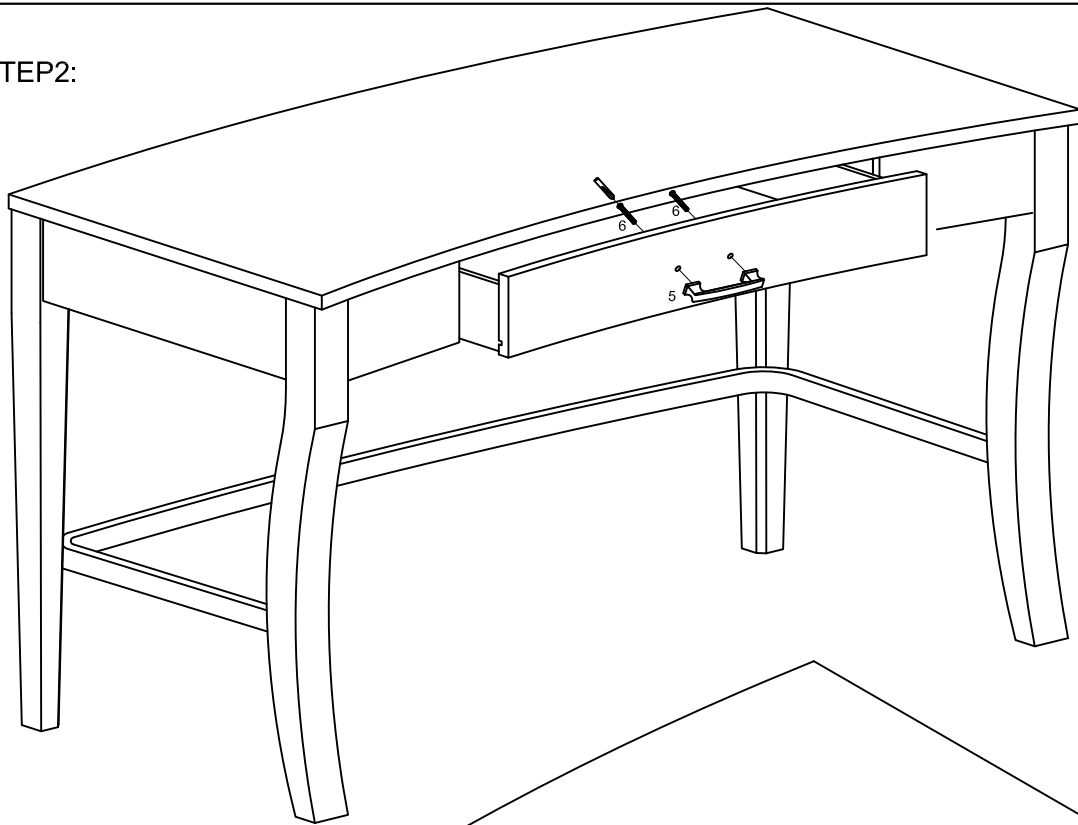
HARDWARE PACK

NO	Description		Quantity	Size
1	Long Bolt		8PCS	D12*Ø5/16"*45mm
2	Short Bolt		4PCS	D11*Ø1/4"*35mm
3	Spring Washer		8PCS	Ø5/16"*1mm
4	Flat Washer		8PCS	D19*Ø5/16"*1.2mm
5	Handle		1PC	120*30*15mm
6	Screws for handle		2PCS	D9*Ø5/32"*25mm
7	Small Allen Key		1PC	57*Ø4
8	Allen Key		1PC	57*Ø5

STEP1:



STEP2:



STEP3:

