



902181

ACCENT CHAIR

ASSEMBLY INSTRUCTION

COASTER FINE FURNITURE



www.coastercompany.com

Assembly Instruction

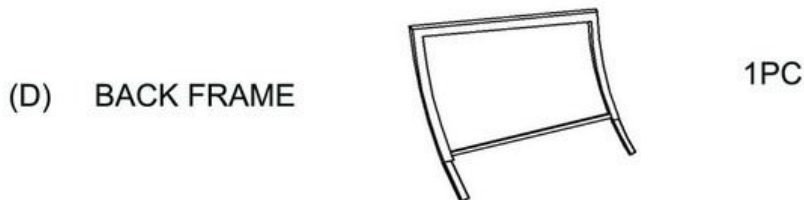
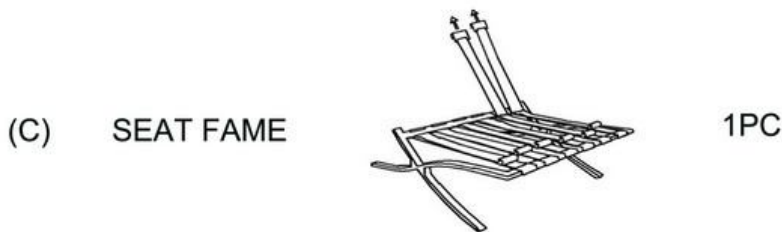
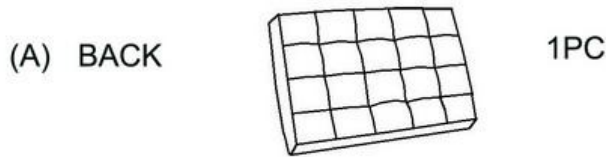
Assembly Tips:


- 1.Remove hardware from box and sort by size.
- 2.Plesae check to see that all hardware and parts are present prior to start of aeeembly.
- 3.Please follow attached instructions in the same sequence as numbered to assure fast & easy assembly.

⚠ Warning!

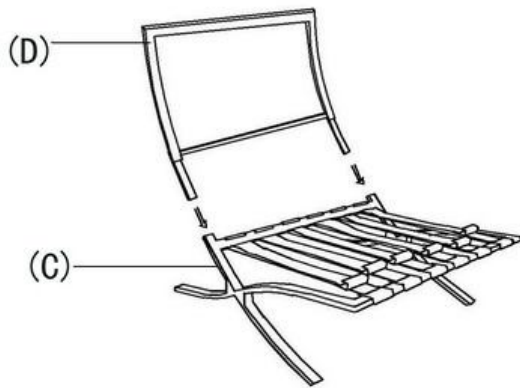
- 1.Don't attempt to repair or modify parts that are broken or defective.Please contact the store immediately.
- 2.This product is for home use only and not intended for commercial establishment.

PARTS IDENTIFICATION: Z HARDWARE PACKAGE



NO	DESCRIPTION	FIGURE	Q'TY
1	FLOOR PROTECTORS		4PCS

STEP 1



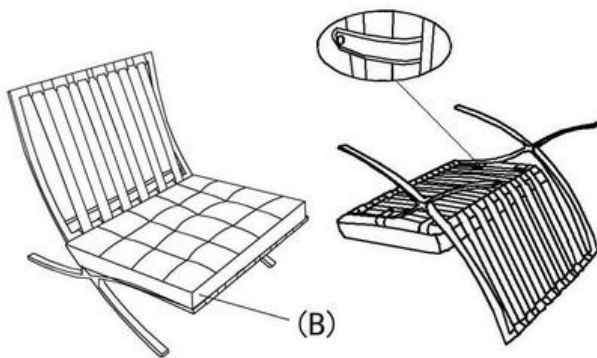
1. INSERT BACK FRAME INTO THE SEAT FRAME.

STEP 2



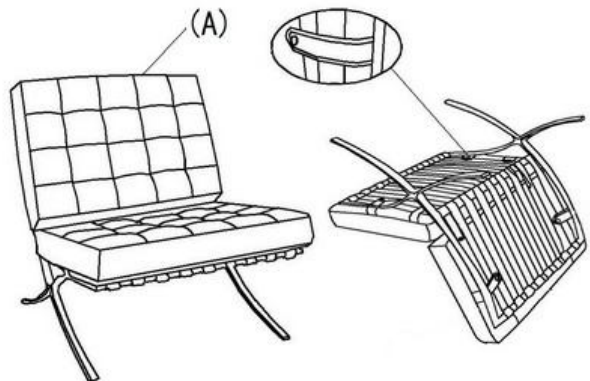
2. STRETCH THE ELASTIC AND HOOK IT ON THE FRAME BEAM.

STEP 3



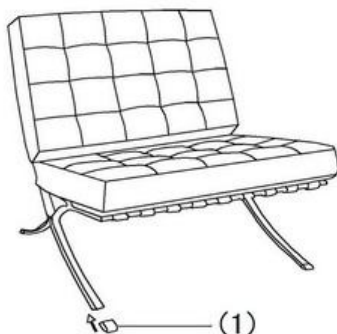
3. PLACE THE SEAT ONTO THE FRAME AND SNAP THE BUCKLES INTO THE ELASTIC.

STEP 4



4. PLACE THE BACK ONTO THE BACK FRAME AND SNAP THE BUCKLES INTO THE ELASTIC.

STEP 5



5. INSERT FLOOR PROTECTORS INTO THE FRAME.

STEP 6

