

COASTER.
FINE FURNITURE

903820

ACCENT CHAIR WITH OTTOMAN

ASSEMBLY INSTRUCTION

COASTER FINE FURNITURE



www.coastercompany.com

Assembly Instruction

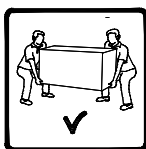
ASSEMBLY TIPS:

1. Remove hardware from box and sort by size.
2. Please check to see that all hardware and parts are present prior to start of assembly.
3. Please follow attached instructions in the same sequence as numbered to assure fast & easy assembly.




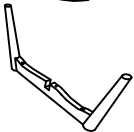
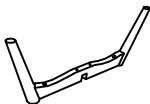
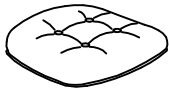

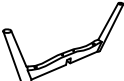
Warning !



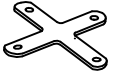
1. Don't attempt to repair or modify parts that are broken or defective. Please contact the store immediately.
2. This product is for home use only and not intended for commercial establishment.



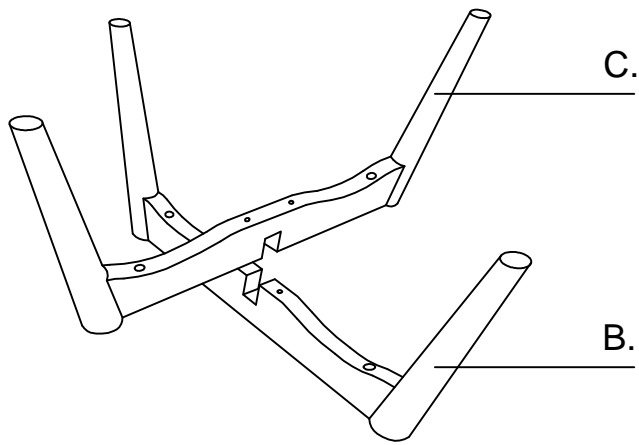
ASSEMBLY TIME PER UNIT:	20 MINUTES
-------------------------	------------

PARTS IDENTIFICATION

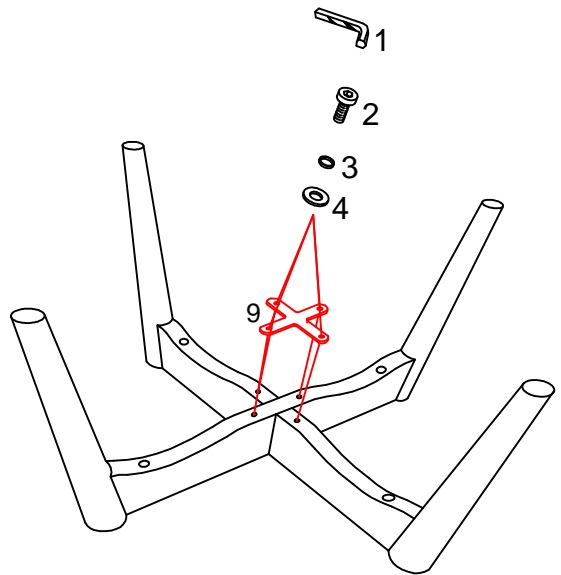
A.		CHAIR BACK	1PC
B.		CHAIR UPPER LEG	1PC
C.		CHAIR LOWER LEG	1PC
D.		OTTOMAN CUSHION	1PC
E.		OTTOMAN UPPER LEG	1PC
F.		OTTOMAN LOWER LEG	1PC

Z	HARDWARE IDENTIFICATION		
1	ALLEN KEY M4mm		1PC
2	ALLEN BOLT-BIG Ø1/4"*3/4"	<td>4PCS</td>	4PCS
3	SPRING WASHER-BIG Ø1/4"	<td>4PCS</td>	4PCS
4	FLAT WASHER-BIG Ø1/4"*16mm		4PCS
5	ALLEN KEY M5mm		1PC
6	ALLEN BOLT-BIG Ø5/16"*2-3/4"	<td>8PCS</td>	8PCS
7	SPRING WASHER-BIG Ø5/16"	<td>8PCS</td>	8PCS
8	FLAT WASHER-BIG Ø5/16"*16mm		8PCS
9	X-METAL PLATE		1PC

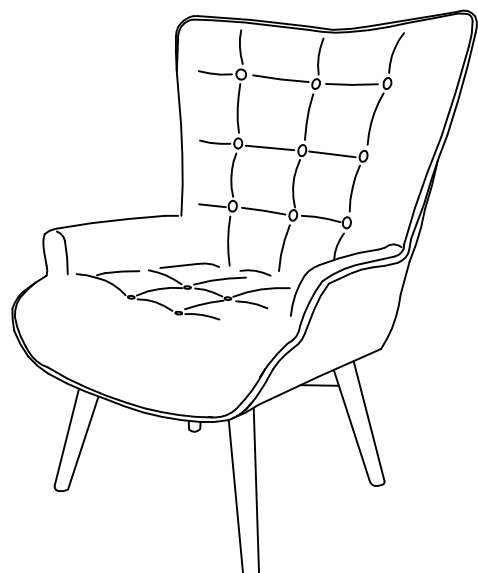
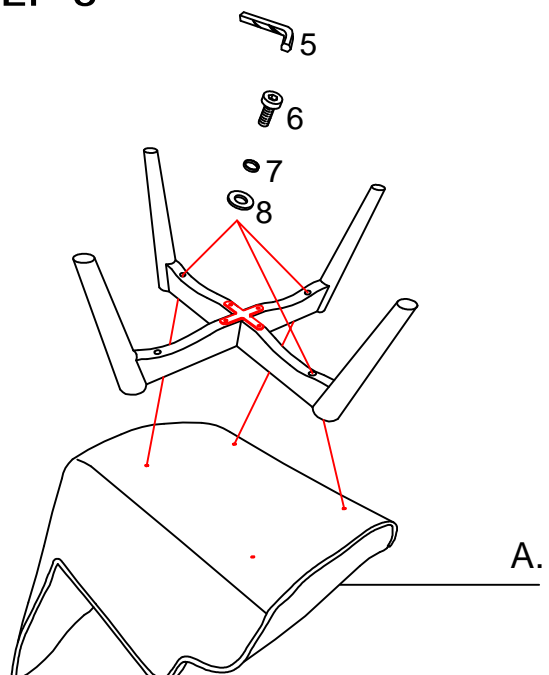
STEP 1



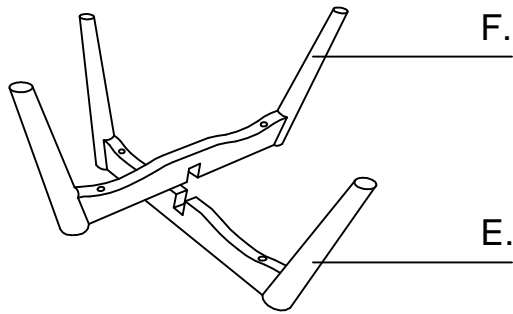
STEP 2



STEP 3



STEP 1



STEP 2

