

COASTER[®]
FINE FURNITURE

910050

BOOK SHELF

ASSEMBLY INSTRUCTION
COASTER FINE FURNITURE



www.coastercompany.com

ASSEMBLY INSTRUCTION

ASSEMBLY TIPS:

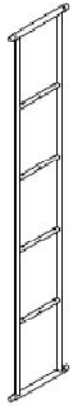










- 1.Remove hardware from box and sort by size.
- 2.Please check to see that all hardware and parts are present prior start of assembly.
- 3.Please follow attached instructions in the same sequence as numbered to assure fast & easy assembly

Warning!!

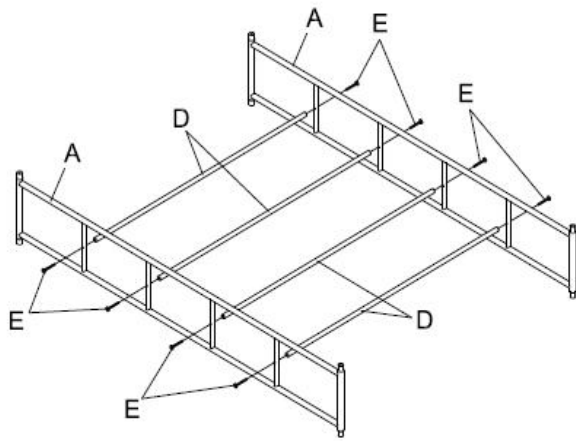
- 1.Don't attempt to repair or modify parts that are broken or defective.Please contact the store immediately.
- 2.This product is for home use only and not intended for commercial establishment.

PARTS IDENTIFICATION:

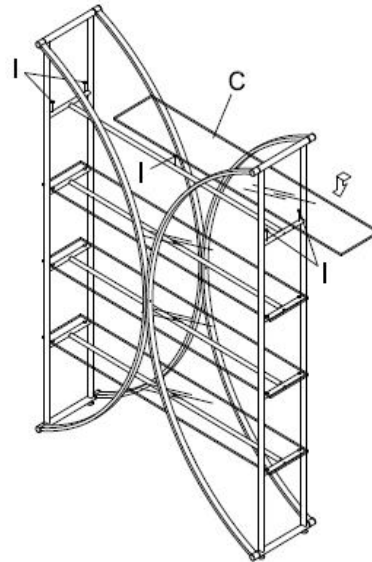
HARDWARE PACKAGE:

	NO	DESCRIPTION	FIGUER	QTY
<div style="display: flex; justify-content: space-around;"> <div style="text-align: center;"> <p>A : SIDE PANEL</p>  <p>2PCS</p> </div> <div style="text-align: center;"> <p>C : GLASS</p>  <p>4PCS</p> </div> </div> <div style="text-align: center; margin-top: 20px;"> <p>D : CROSS BAR</p>  <p>4PCS</p> </div> <div style="text-align: center; margin-top: 20px;"> <p>B : FRONT & BACK FRAME</p>  <p>4PCS</p> </div>	E	SCREW		16pcs
	F	SCREW		2pcs
	G	BOLT		2pcs
	H	CAP		8pcs
	I	SUCTION CUP		20pcs
	J	Floor Leveler		4pcs
	K	ALLEN KEY		1pc

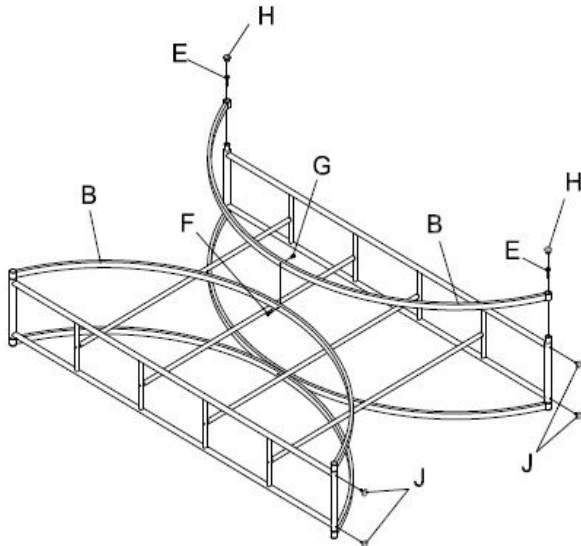
STEP 1



STEP 3



STEP 2



FINISH

