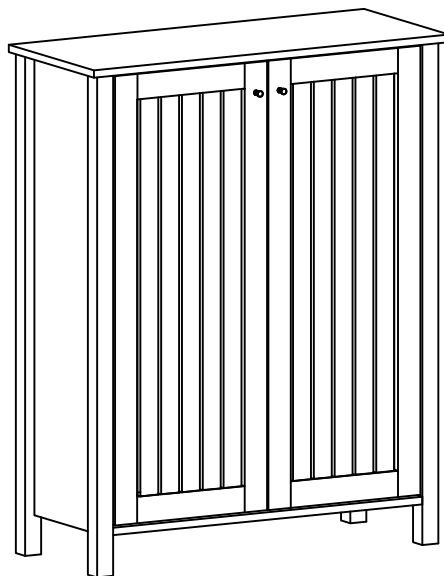


COASTER[®]
FINE FURNITURE

950551

SHOE CABINET

**ASSEMBLY INSTRUCTION
COASTER FINE FURNITURE**



www.coastercompany.com

ASSEMBLY INSTRUCTION

ASSEMBLY TIPS:

- 1.Remove hardware from box and sort by size.
- 2.Please check to see that all hardware and parts are present prior to start of assembly.
- 3.Please follow attached instructions in the same sequence as numbered to assure fast & easy assembly.



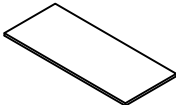
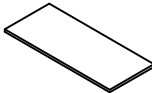
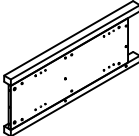
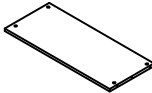
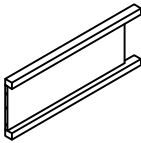
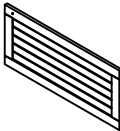
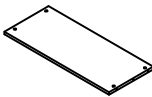
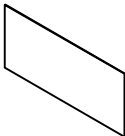
Warning !!




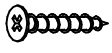
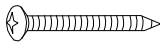

1. Don't attempt to repair or modify parts that are broken or defective .Please contact the store immediately.
2. This product is for home use only and not intended for commercial establishment.



ASSEMBLY TIME PER UNIT: 20 MINUTES

PARTS IDENTIFICATION

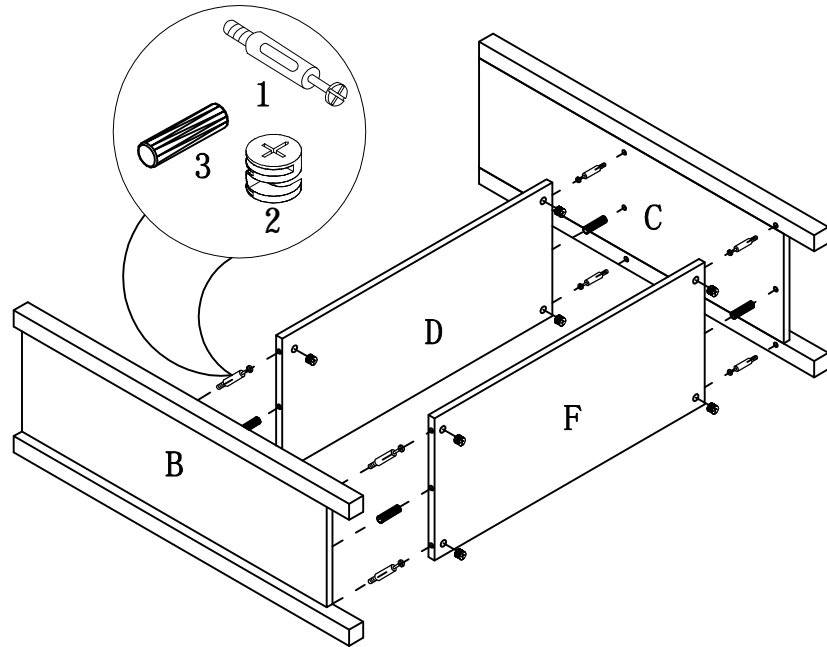
(A) TOP		1 PC	(E) ADJUSTABLE SHELF		2 PCS
(B) LEFT SIDE PANEL		1 PC	(F) BOTTOM PANEL		1 PC
(C) RIGHT SIDE PANEL		1 PC	(G) DOOR PANEL		2 PCS
(D) FIXED SHELF		1 PC	(H) BACK PANEL		2 PCS

Z	HARDWARE PACKAGE		
NO	DESCRIPTION	FIGURE	Q' TY
1	CAMBOLT L=29mm		16pcs
2	CAMLOCK □15mm		16pcs
3	DOWEL □8×25mm		6pcs
4	DOOR PIN		2pcs
5	SMALL SCREW φ3×14mm		4pcs
6	MEDIUM SCREW φ3×16mm		4pcs
7	SHELF PIN		8pcs
8	KNOB		2pcs
9	KNOB SCREW φ4×22		2pcs
10	STICKER φ20		20pcs
11	ANTI-TIP HARDWARE		1 pc
12	LARGE SCREW □4x25mm		1 pc
13	WALL SCREW □5×40mm		1 pc
14	PLASTIC WALL ANCHOR □8×40mm		1 pc
15	NAIL		30pcs
16	DOOR CATCH		2pcs
17	DOOR CATCH PIECE		2pcs
18	GLUE		1pc

ITEM : 950551

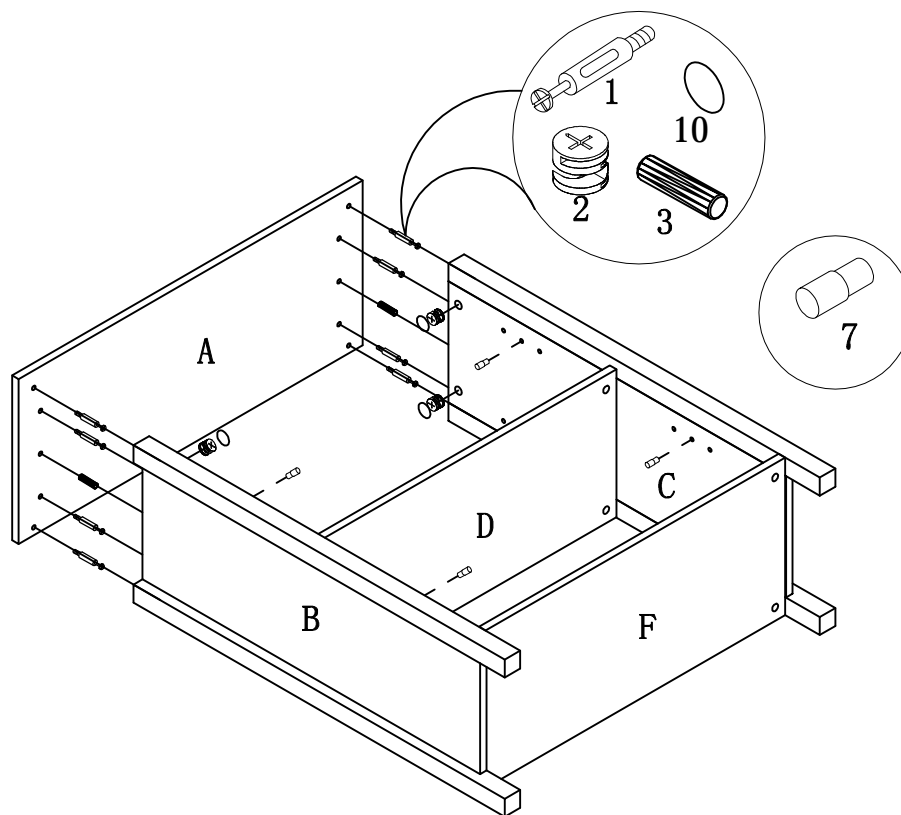
It need 1 person and take about 30 minutes
to assemble the item.

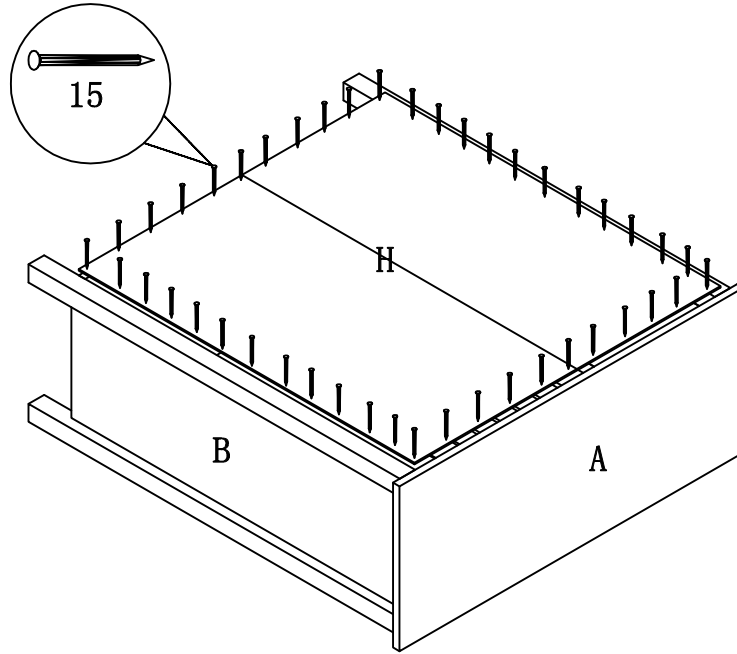
ASSEMBLY INSTRUCTION



STEP1

STEP2





STEP3

STEP4

