

COASTER[®]
FINE FURNITURE

103062

DINING CHAIR WITH CUSHION SEAT

ASSEMBLY INSTRUCTIONS

COASTER FINE FURNITURE



www.coastercompany.com

REVISION 0 : 12/12/2013
REVISION 1 : 08/19/2014

ASSEMBLY TIPS :


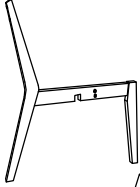
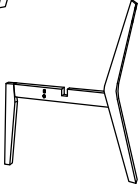
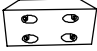

1. Remove hardware from plastic and sort by size.
2. Please check to see that all hardware and parts are present prior to start of assembly.
3. Please follow attached instruction in the same sequence as numbered to assure fast & easy assembly.





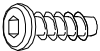
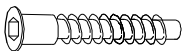
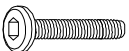


Warning !

1. Don't attempt to repair or modify parts that are broken or defective. Please contact the store immediately.
2. This product is for home use only and not intended for commercial establishment.

PARTS IDENTIFICATION:

A		BACK REST	1PC
B		UPPER LEG FRAME	1PC
C		LOWER LEG FRAME	1PC
D		WOOD CLEAT	1PC
E		CUSHION SEAT	1PC

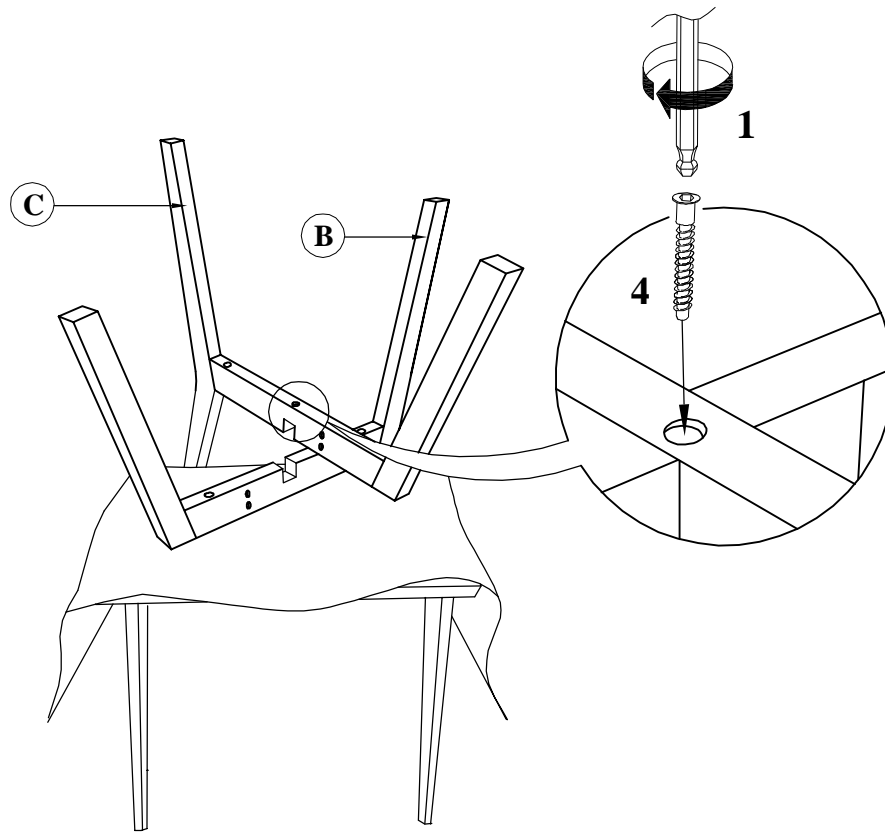
HARDWARE IDENTIFICATION:

1		ALLEN WRENCH	1PC
2		LONG BOLT	4PCS
3		SHORT WOOD BOLT	4PCS
4		LONG WOOD BOLT	1PCS
5		SHORT BOLT	4PCS
6		LOCK WASHER	4PCS
7		WOOD PLUG	4PCS

NOTE: QUANTITIES SHOWN ARE FOR ONE CHAIR

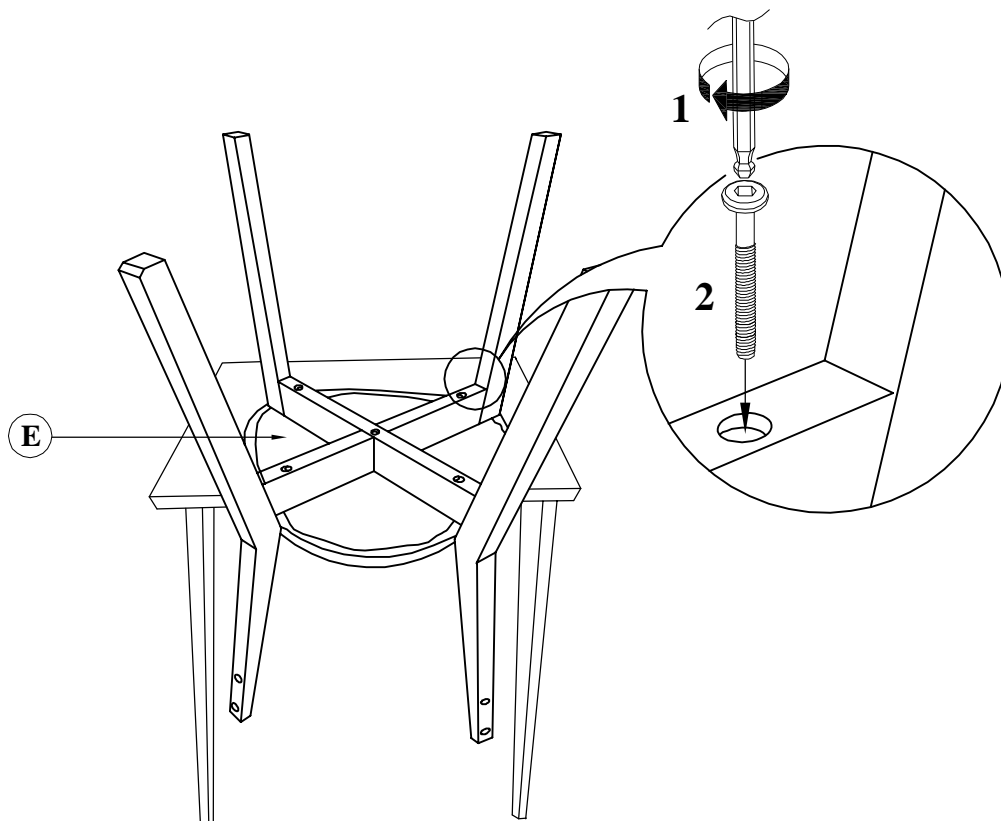
STEP 1

Align and fasten upper leg frame (B) to lower leg frame (C) by using long wood bolt (4) and tighten with Allen wrench (1).



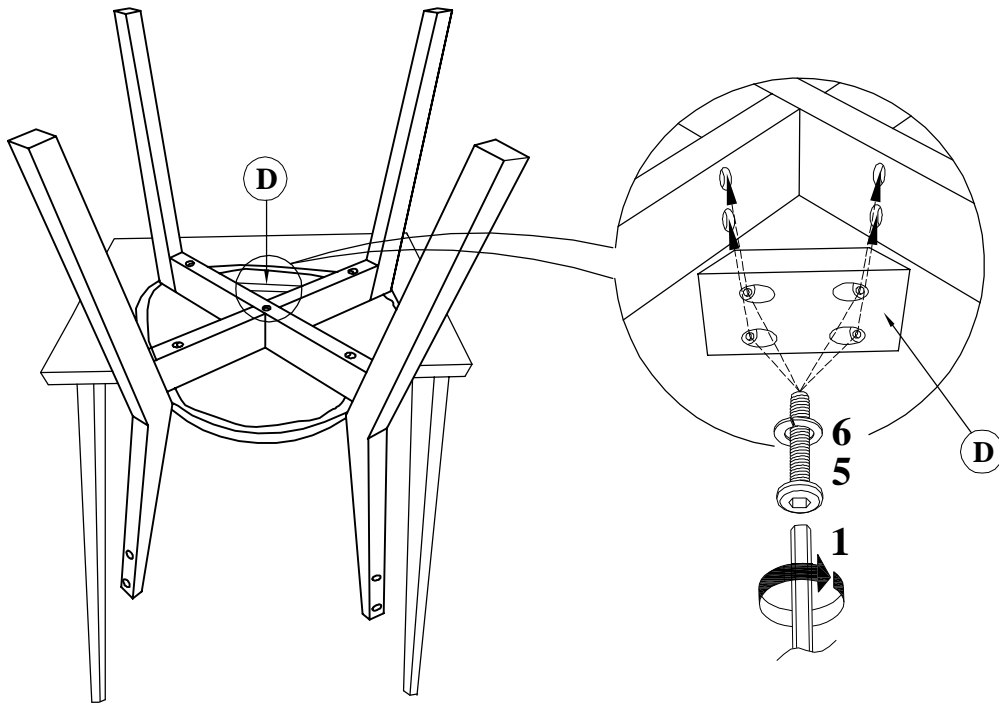
STEP 2

Align and fasten cushion seat (E) to leg frame using long bolt (2) and tighten with Allen wrench (1).



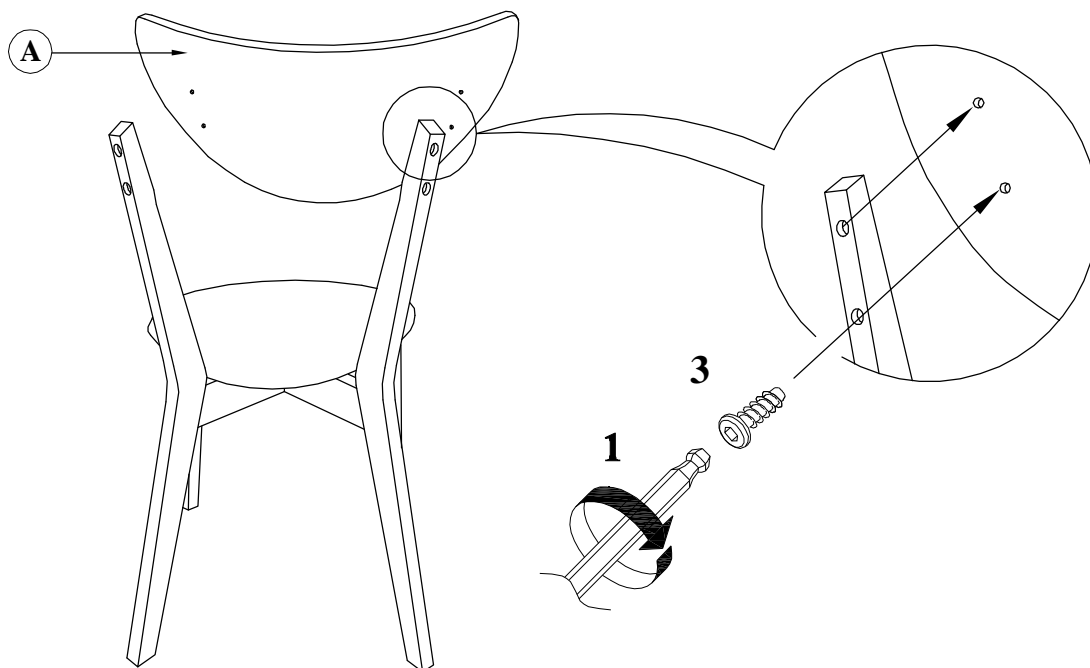
STEP 3

Align and fasten wood cleat (D) to leg frame (as per diagram shown) by using short bolt (5) and lock washer (6) and tighten with Allen wrench (1).



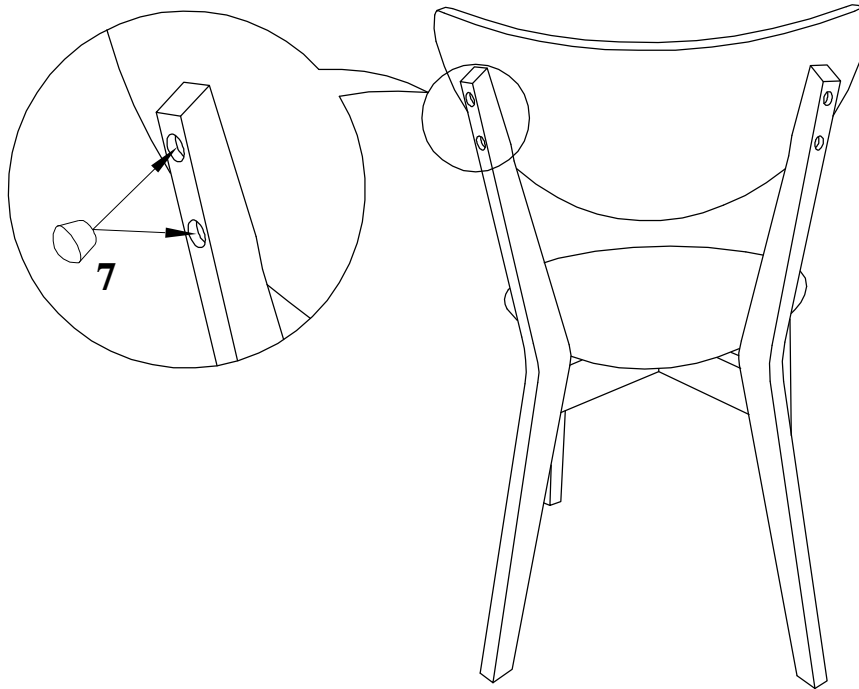
STEP 4

Align and fasten back rest (A) to leg frame (as per diagram shown) by using short wood bolt (3) and tighten with Allen wrench (1).



STEP 5

Insert wood plug (7) to the open hole on leg frame as per diagram shown.



STEP 6

Complete.

