

**COASTER**<sup>®</sup>  
Fine Furniture

600058

ROCKER

---

ASSEMBLY INSTRUCTION  
COASTER FINE FURNITURE



[www.coastercompany.com](http://www.coastercompany.com)

# Assembly Instruction

## ASSEMBLY TIPS:

1. Remove hardware from box and sort by size.
2. Please check to see that all hardware and parts are present prior to start of assembly.
3. Please follow attached instructions in the same sequence as numbered to assure fast & easy assembly.



### Warning !

1. Don't attempt to repair or modify parts that are broken or defective. Please contact the store immediately.
2. This product is for home use only and not intended for commercial establishment.

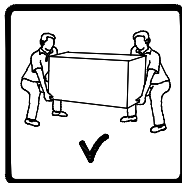
## PARTS IDENTIFICATION

AL	LEFT SIDE PANEL		1 PC	E	SEAT CUSHION		1 PC
AR	RIGHT SIDE PANEL		1 PC	F	EAR		2 PCS
B	BACK CUSHION		1 PC	G	FRONT STRETCHER TOP		1 PC
CL	LEFT ARM		1 PC	H	FRONT STRETCHER BOTTOM		1 PC
CR	RIGHT ARM		1 PC	I	REAR STRETCHER TOP		1 PC
D	ROCKER		2 PCS	J	REAR STRETCHER BOTTOM		1 PC

Z

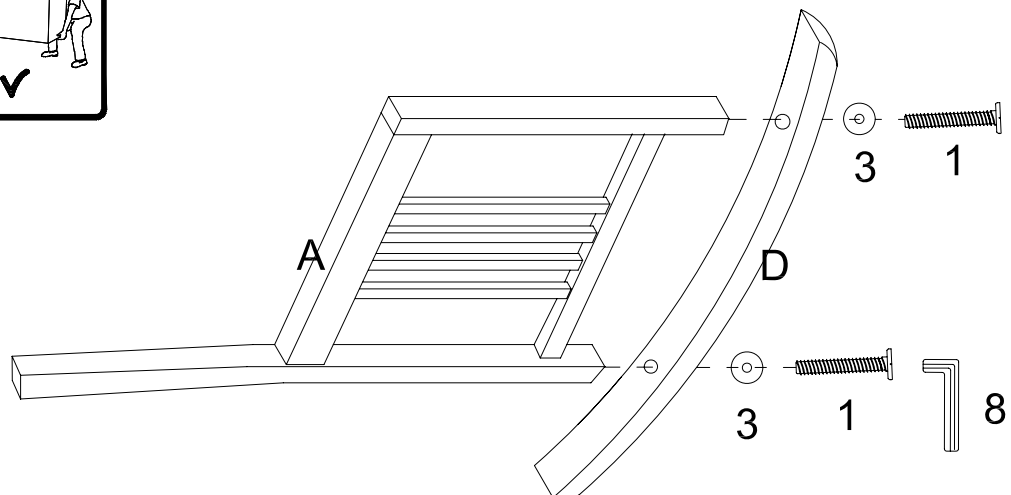
## HARDWARE PACKAGE

1	BOLT		22PCS	5	WOODEN CAP		14PCS
2	BOLT		2PCS	6	SCREW		4PCS
3	FLAT WASHER		4PCS	7	GLUE		1PC
4	LOCK WASHER		20PCS	8	ALLEN WRENCH		1PC

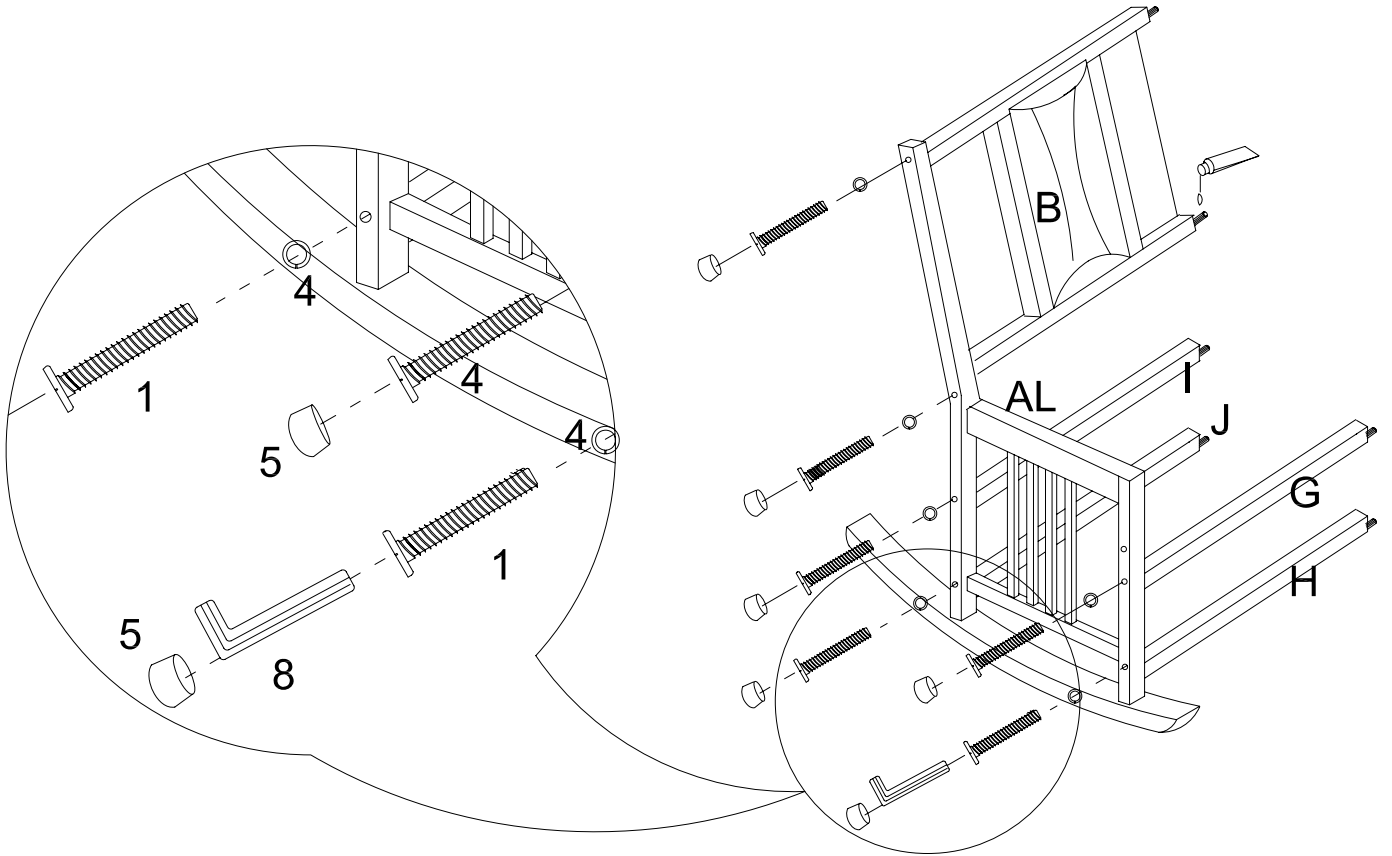


**ASSEMBLY TIME PER UNIT: 50 MINUTES**

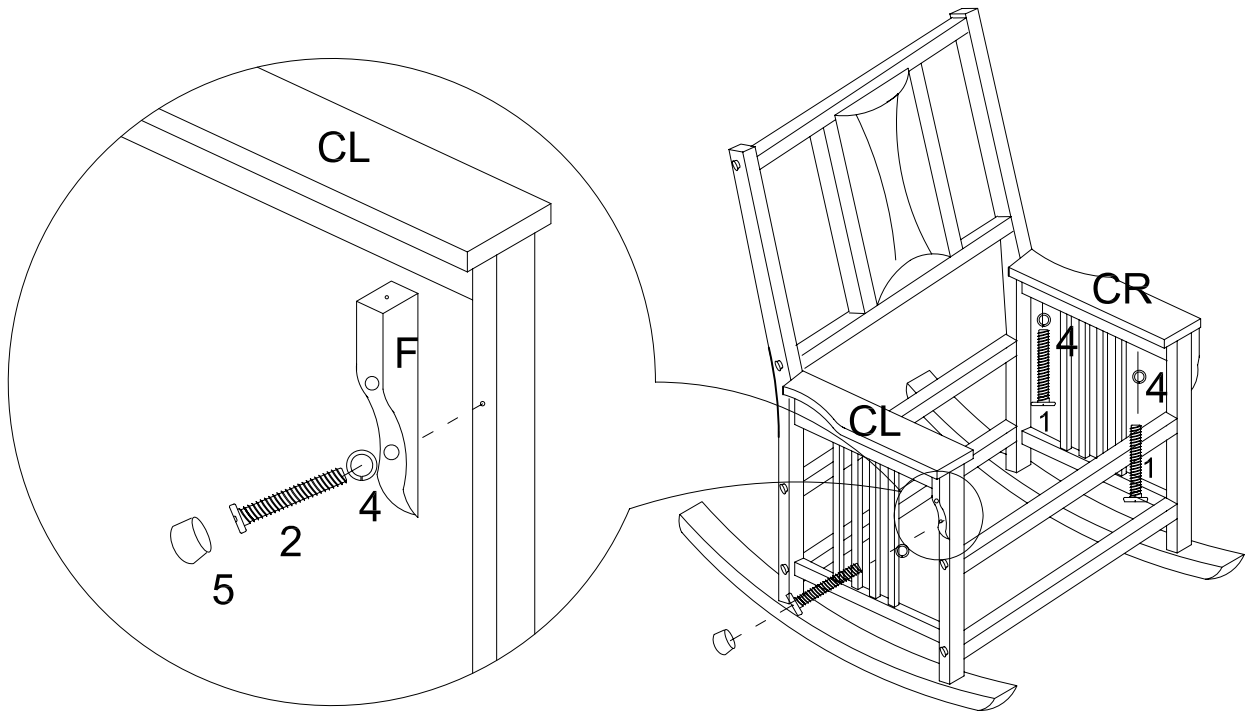
STEP 1



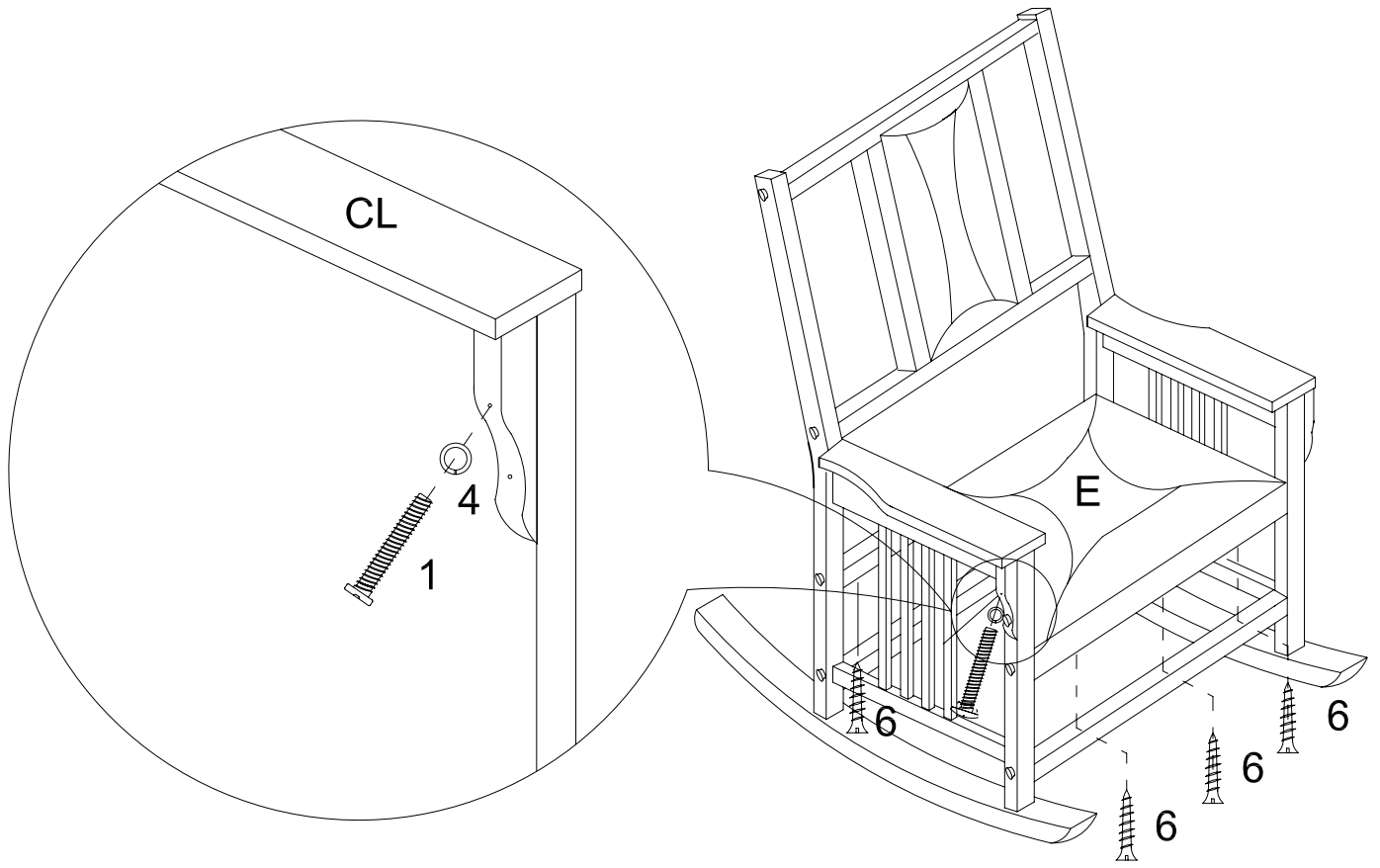
STEP 2



STEP 3



STEP 4



COMPLETE

