

COASTER
FINE FURNITURE®

800265

BOOKSHELF

**ASSEMBLY INSTRUCTION
COASTER FINE FURNITURE**



www.coastercompany.com

ASSEMBLY INSTRUCTION

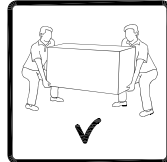
ASSEMBLY TIPS:

- 1.Remove hardware from box and sort by size.
- 2.Please check to see that all hardware and parts are present prior to start of assembly.
- 3.Please follow attached instructions in the same sequence as numbered to assure fast & easy assembly.



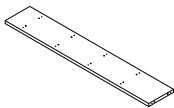
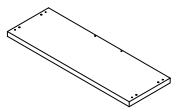
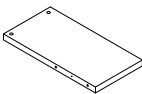
Warning!

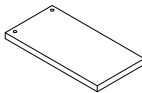
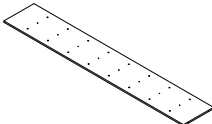
- 1.Don't attempt to repair or modify parts that are broken or defective.Please contact the store immediately.
- 2.This product is for home use only and not intended for commercial establishment.

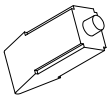

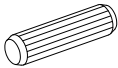


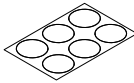



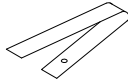



ASSEMBLY TIME PER UNIT: 40 MINUTES

PARTS IDENTIFICATION:

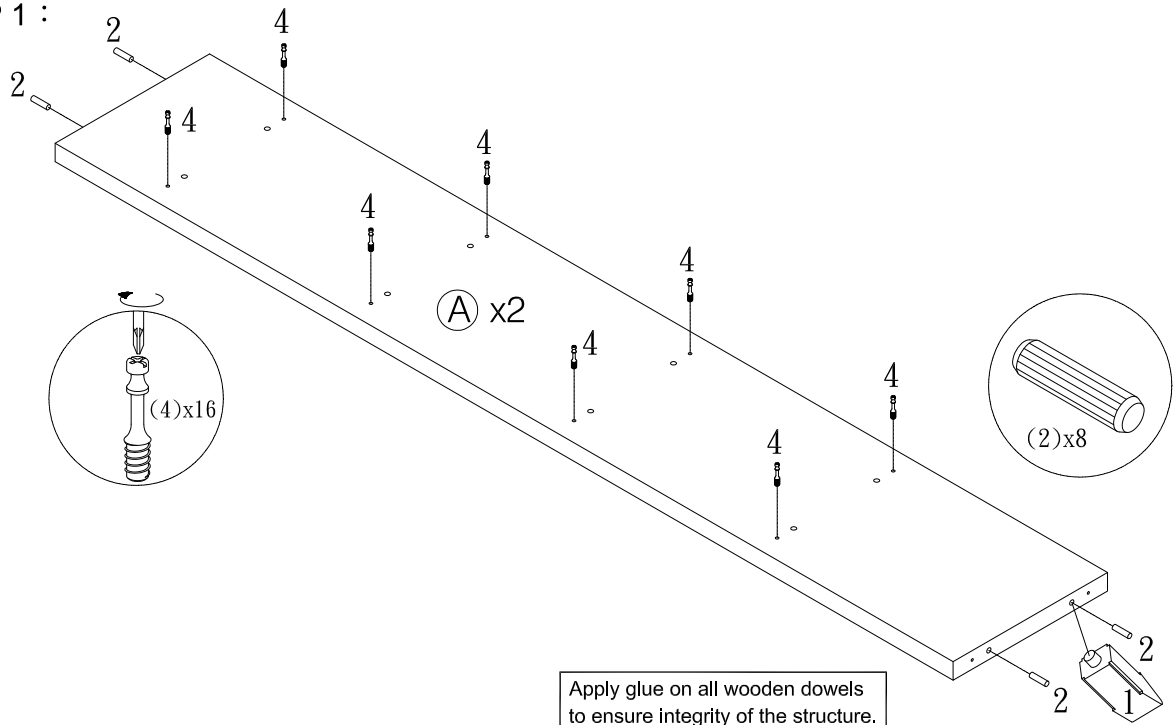
- (A) SIDE PANEL  2PCS
- (B) TOP AND BOTTOM PANEL  2PCS
- (C) LEFT SHELF  4PCS

- (D) RIGHT SHELF  4PCS
- (E) BACK PANEL  1PC

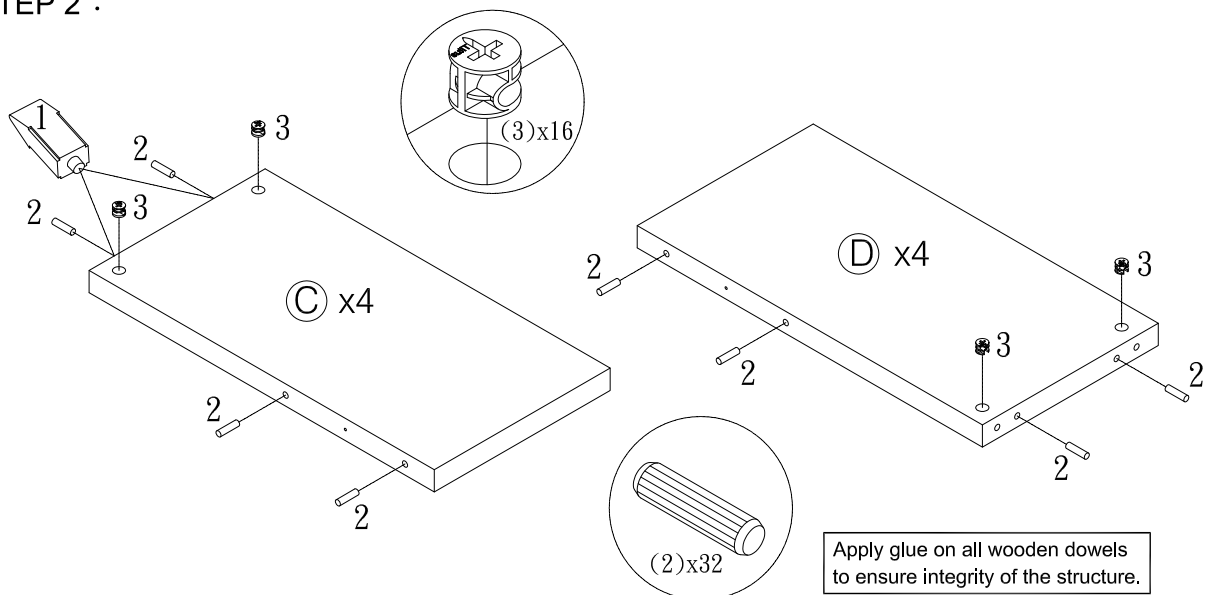
Z HARDWARE PACKAGE							
NO	DESCRIPTION	FIGURE	Q'TY	NO	DESCRIPTION	FIGURE	Q'TY
1	GLUE 40g		1PC	5	BOLT ϕ 9.5x55mm		12PCS
2	WOODEN DOWEL ϕ 8x30mm		40PCS	6	SCREW ϕ 4.3x35mm		8PCS
3	CAM LOCK ϕ 15x12mm		16PCS	7	STICKER ϕ 20mm		7PCS
4	CAM BOLT ϕ 7x35.5mm		16PCS				

Z HARDWARE PACKAGE							
NO	DESCRIPTION	FIGURE	Q'TY	NO	DESCRIPTION	FIGURE	Q'TY
8	ANTI-TIP STRAP 170x15mm		2PCS	10	WALL SCREW Ø4x25mm		2PCS
9	WALL PLUG 6x30mm		2PCS	11	SCREW Ø4x16mm		2PCS

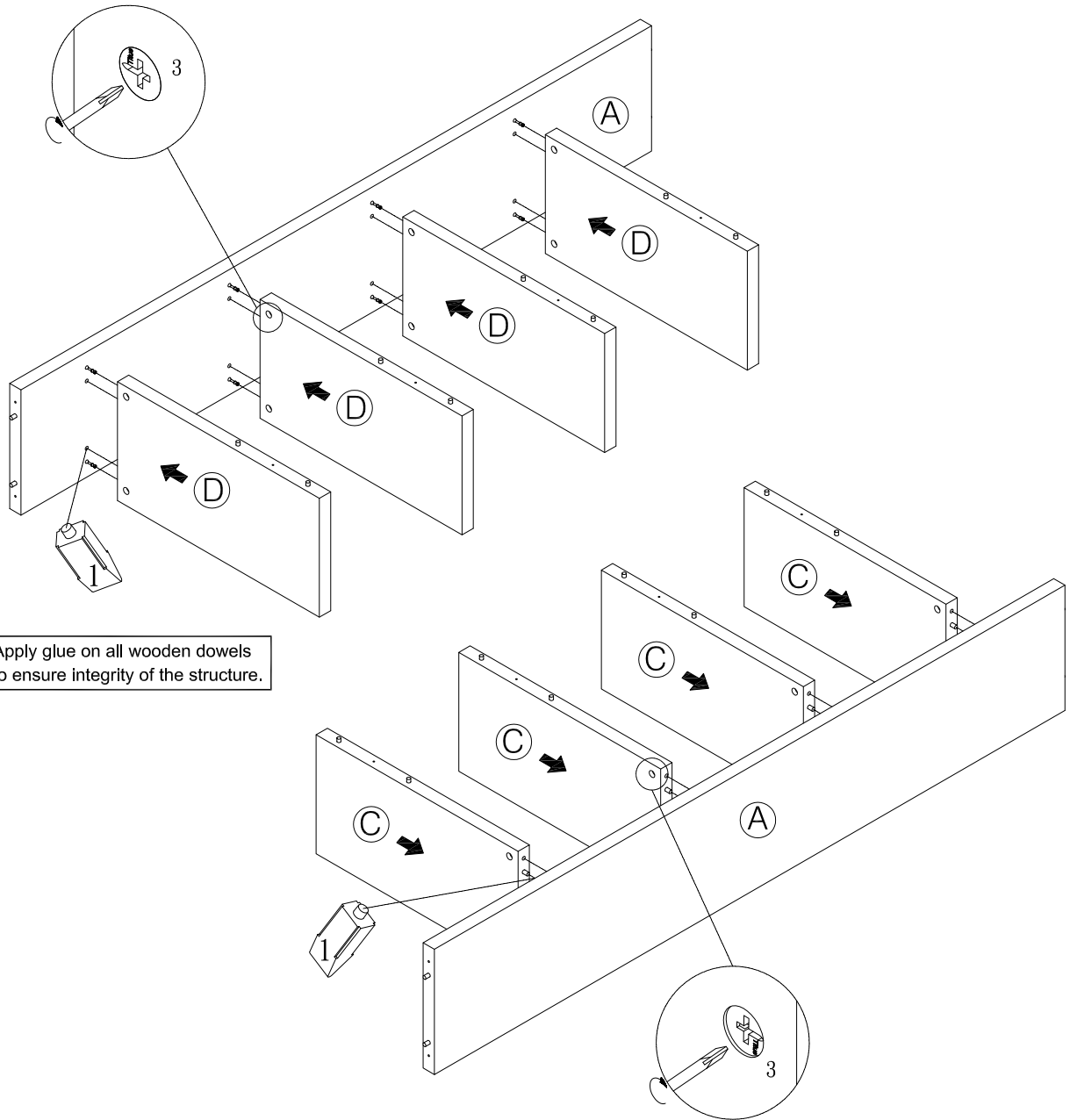
STEP 1 :



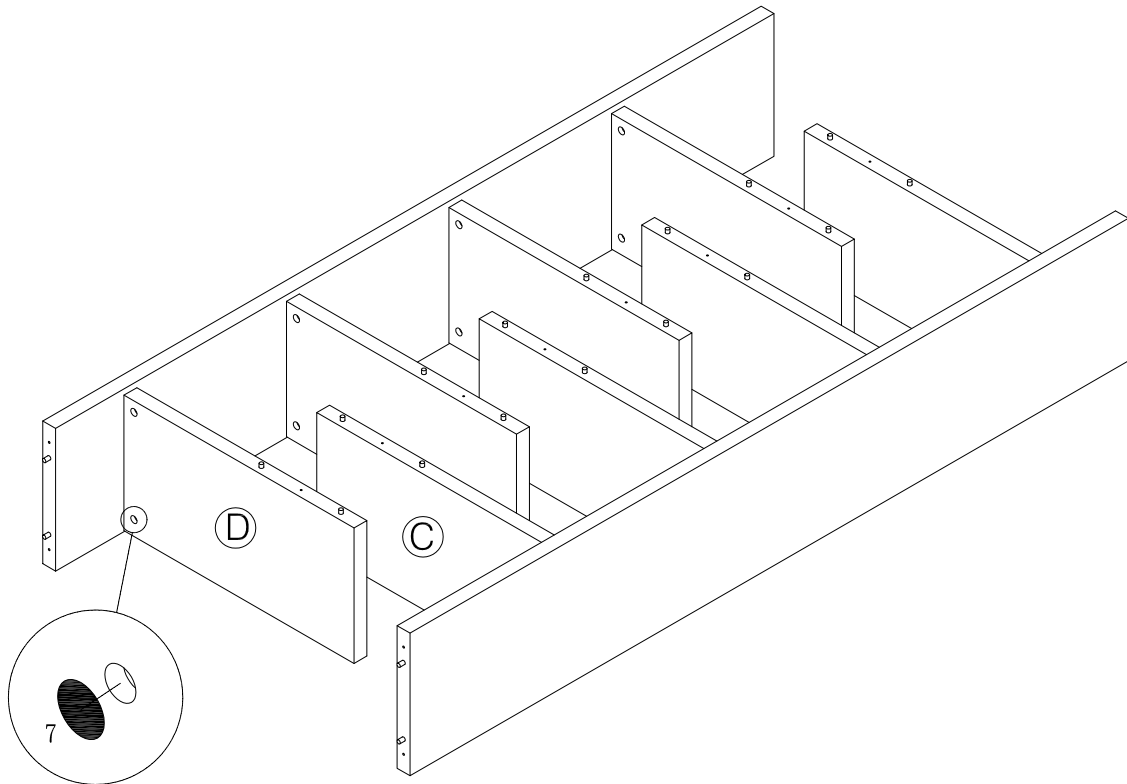
STEP 2 :



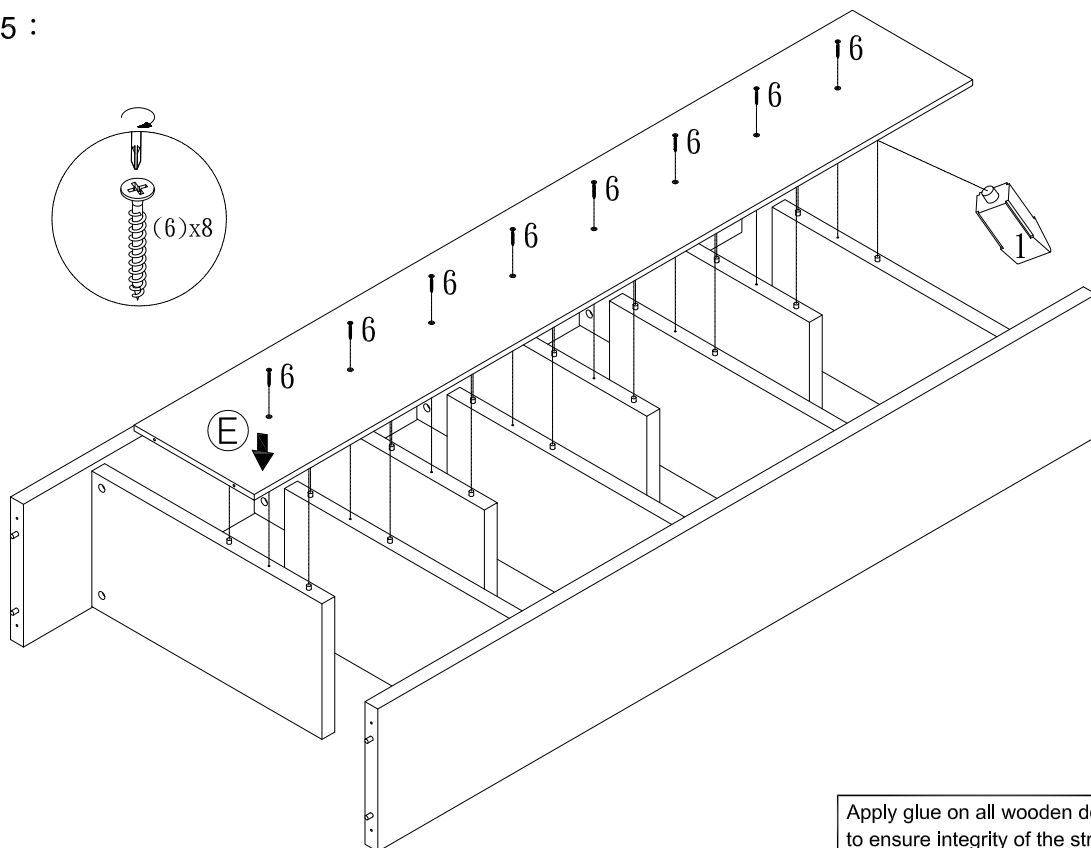
STEP 3 :



STEP 4 :

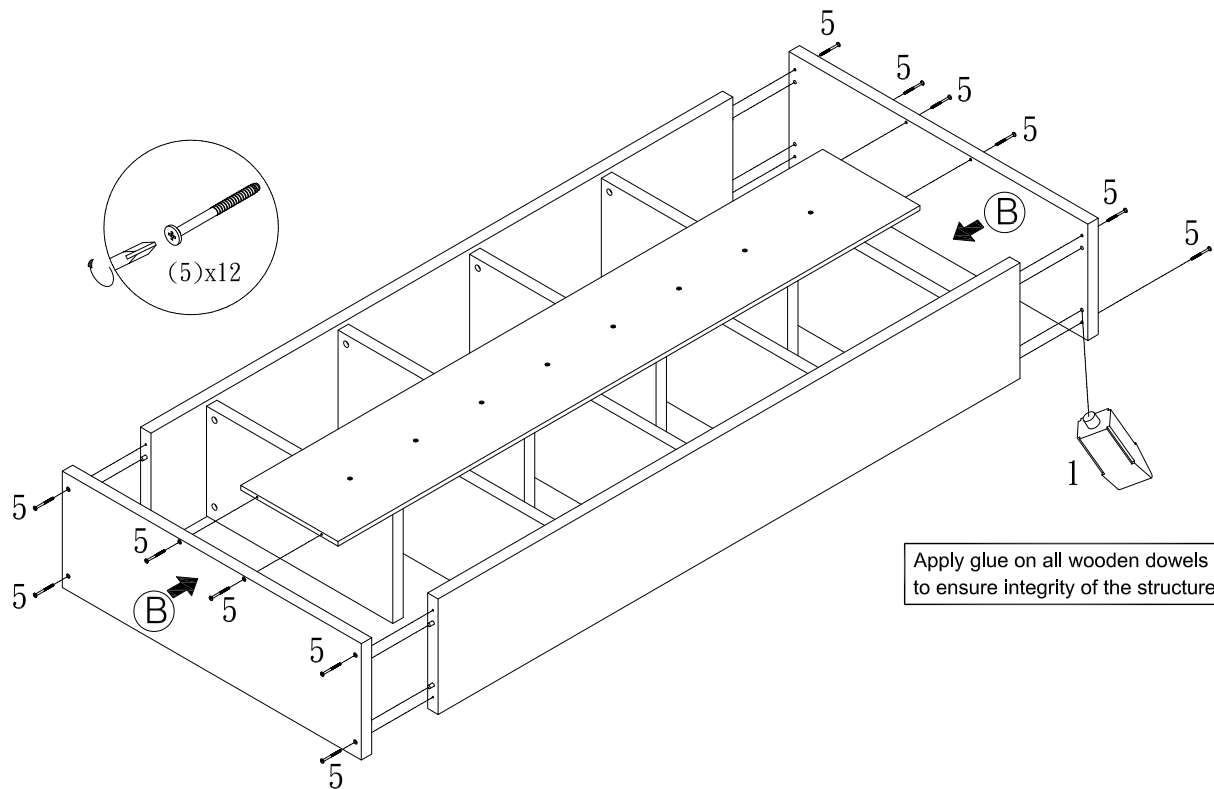


STEP 5 :

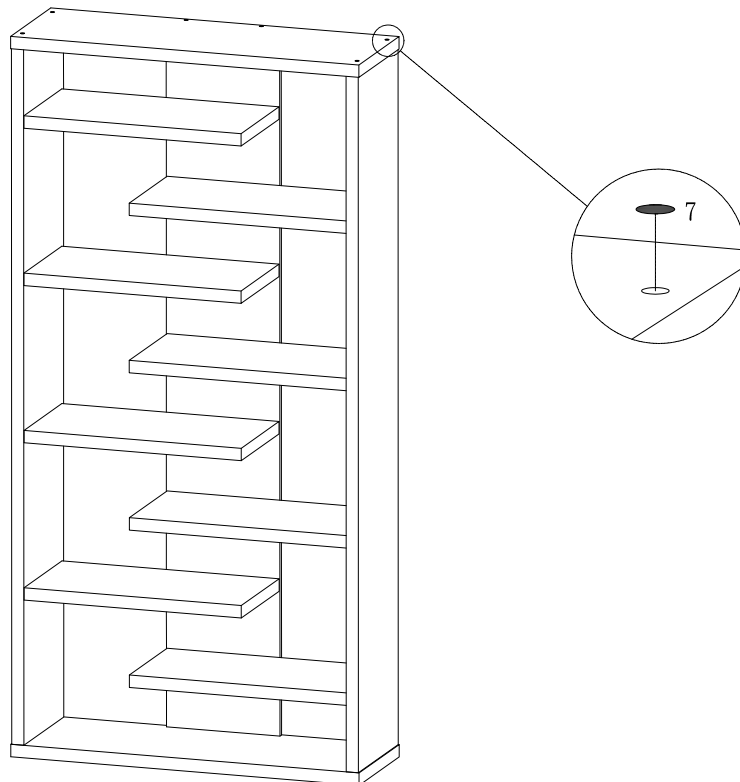


Apply glue on all wooden dowels to ensure integrity of the structure.

STEP 6 :



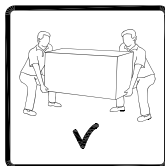
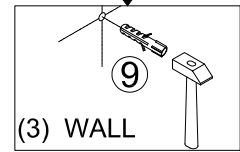
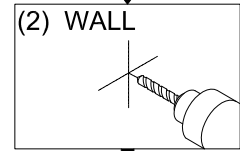
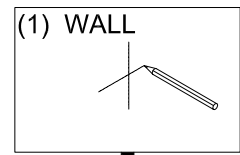
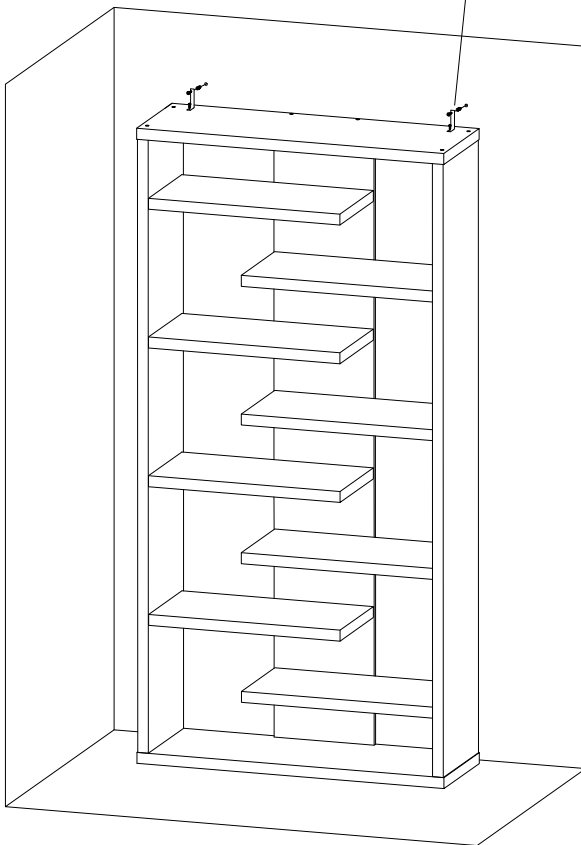
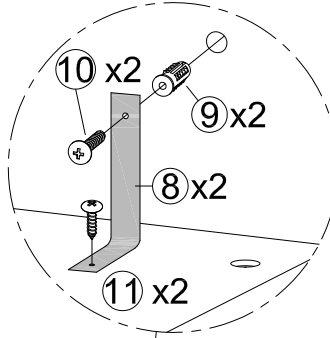
STEP 7 :



STEP 8 :

ATTENTION: ANTI TIPPING SAFEGUARD

Please install the anti-tipping hardware as shown in the drawing.
This can help to prevent any tipping issues.



FURNITURE TIPPING RESTRAINT

WARNING

Injury may result from tipping furniture

This restraint is not a substitute for proper adult supervision.
This restraint may provide protection against tipping furniture.

Do not allow children to climb on furniture.

Failure to detach this restraint before moving furniture may
result in injury and damage