

## CURIO CABINET

---



# ASSEMBLY INSTRUCTION

## ASSEMBLY TIPS:

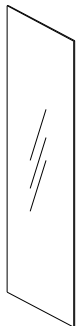
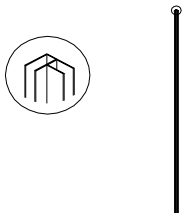

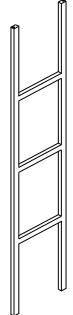
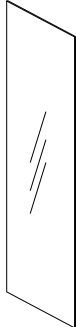
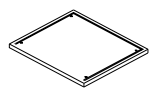
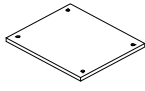

- 1.Remove hardware from box and sort by size.
- 2.Please check to see that all hardware and parts are present prior to start of assembly.
- 3.Please follow attached instructions in the same sequence as numbered to assure fast & easy assembly.






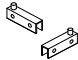

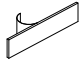
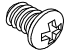

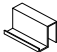
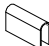


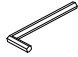

### Warning!!

- 1.Don't attempt to repair or modify parts that are broken or defective.Please contact the store immediately.
- 2.This product is for home use only and not intended for commercial establishment.

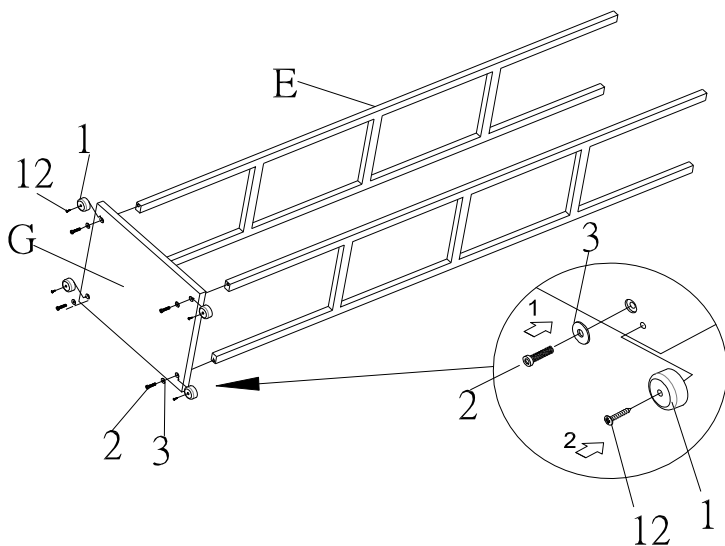
## PARTS IDENTIFICATION

<p><b>A</b></p> <p><b>DOOR GLASS</b> 1555X382mm</p>  <p><b>1PC</b></p>	<p><b>D</b></p> <p><b>PLASTIC BAR</b></p>  <p><b>2PCS</b></p>
<p><b>B</b></p> <p><b>SIDE GLASS</b> 1576X345mm</p>  <p><b>2PCS</b></p>	<p><b>E</b></p> <p><b>INNER SHELF SUPPORT</b></p>  <p><b>2PCS</b></p>
<p><b>C</b></p> <p><b>BACK GLASS</b> 1576X387mm</p>  <p><b>1PC</b></p>	<p><b>F</b></p> <p><b>TOP WOOD PANEL</b></p>  <p><b>1PC</b></p> <p><b>G</b></p> <p><b>BOTTOM WOOD PANEL</b></p>  <p><b>1PC</b></p> <p><b>H</b></p> <p><b>SHELF GLASS</b></p>  <p><b>3PCS</b></p>

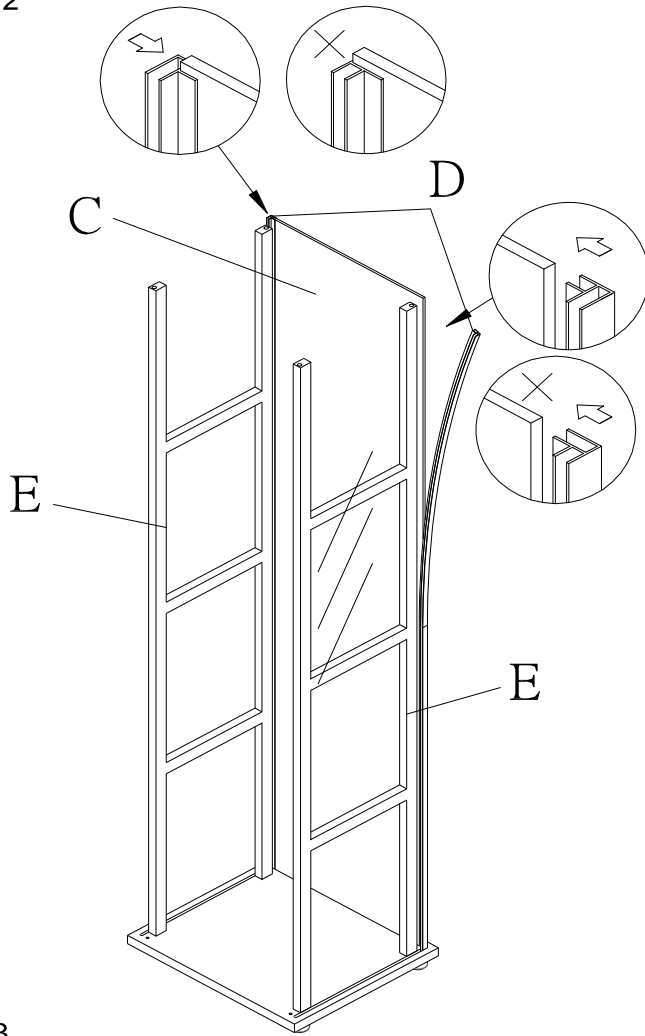
## HARDWARE PACKAGE

Z	DESCRIPTION	FIGURE	Q'TY
1	LEG		4PCS
2	ALLEN BOLT-LARGE		8PCS
3	WASHER		8PCS
4	HINGE		2PCS
5	HINGE INSERT		2PCS
6	METAL WITH ADHESIVE		2PCS
7	SMALL BOLT		4PCS
8	PLASTIC MAGNET		2PCS
9	HANDLE		1PC
10	METAL HANDLE		1PC
11	ADHESIVE		2PCS
12	SCREW		4PCS
13	ALLEN KEY		1PC
14	SUCTION CUP		12PCS

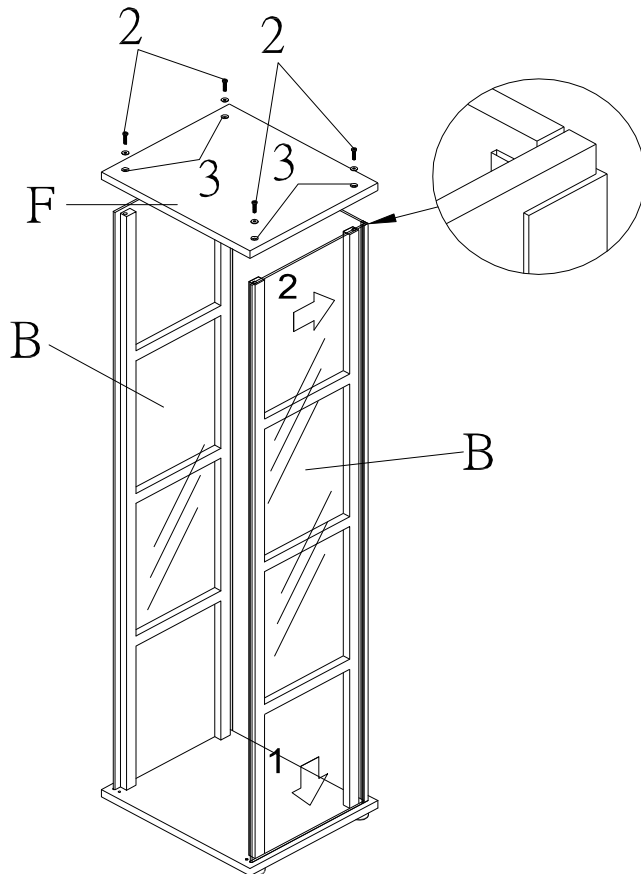
### STEP 1



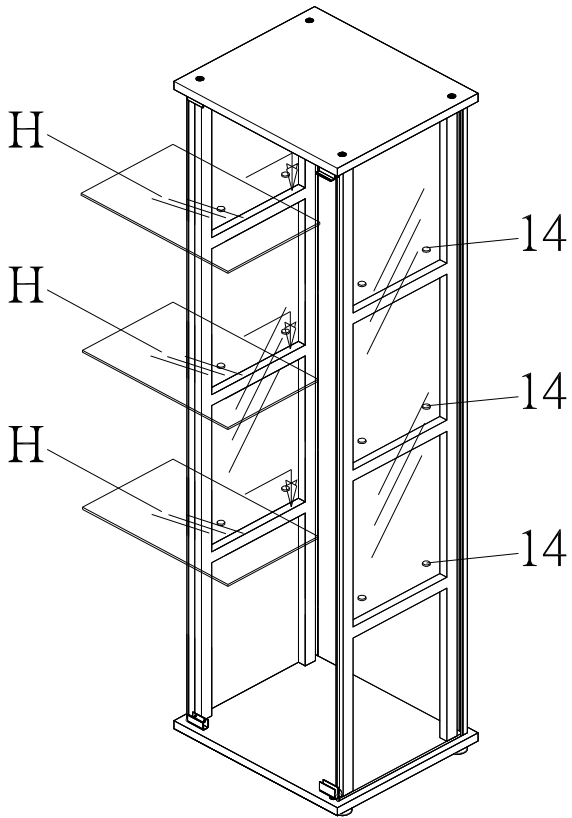
STEP 2



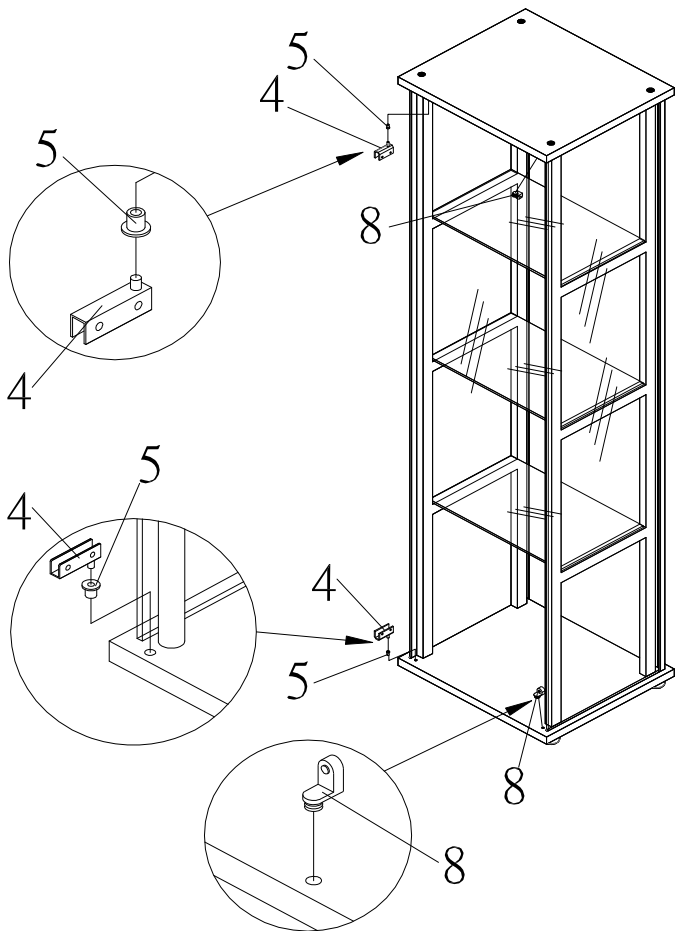
STEP 3



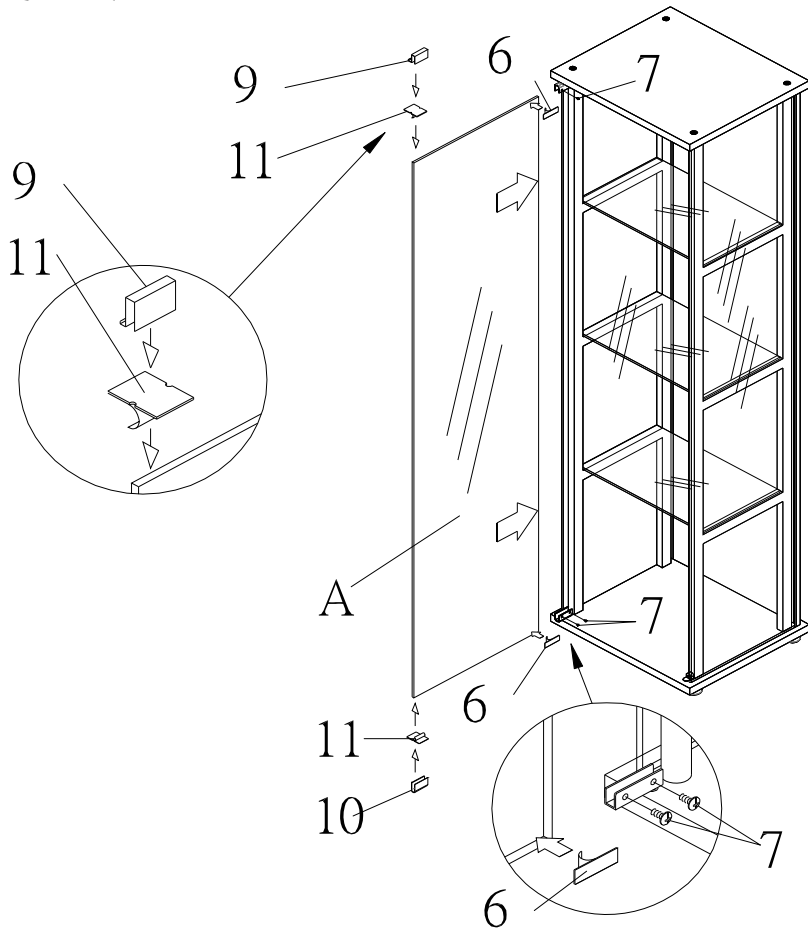
STEP 4



STEP 5



STEP 6



FINISH

