

COASTER®

FINE FURNITURE

300549 (B1-B3)

DAYBED

**ASSEMBLY INSTRUCTIONS
COASTER FINE FURNITURE**



www.coastercompany.com

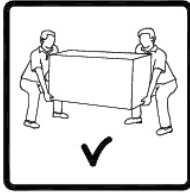
ASSEMBLY TIPS:

1. Remove hardware from box and sort by size.
2. Please check to see that all hardware and parts are present prior to start of assembly.
3. Please follow attached instructions in the same sequence as numbered to assure fast & easy assembly.

Warning!



1. Don't attempt to repair or modify parts that are broken or defective. Please contact the store immediately.
2. This product is for home use only and not intended for commercial establishments.



ASSEMBLY TIME 30 MINUTES

PARTS IDENTIFICATION

B1 (BOX 1)

	PART NAME	FIGURE	QTY
A	LEFT SIDE PANEL		1PC
B	RIGHT SIDE PANEL		1PC
C	ROLL SLAT (7PCS)		4SETS
D	LEG		4PCS

B2 (BOX 2)

E	BACKREST		1PC
F	FRONT RAIL		1PC
G	BACK RAIL		1PC

B3 (BOX 3)

H	TRUNDLE SIDE PANEL		2PCS
I	TRUNDLE BACK PANEL		1PC
J	TRUNDLE FRONT PANEL		1PC
K	CASTER WITH SCREW		6SETS

ASSEMBLY TIPS:

1. Remove hardware from box and sort by size.
2. Please check to see that all hardware and parts are present prior to start of assembly.
3. Please follow attached instructions in the same sequence as numbered to assure fast & easy assembly.

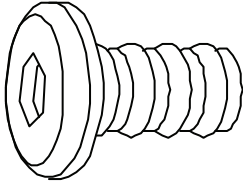
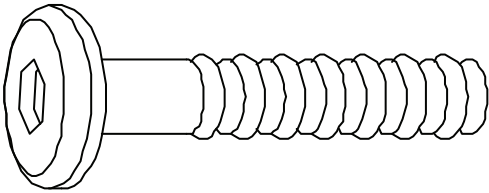
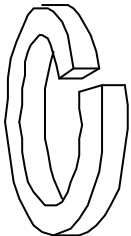



Warning!

1. Don't attempt to repair or modify parts that are broken or defective. Please contact the store immediately.
2. This product is for home use only and not intended for commercial establishments.

HARDWARE IDENTIFICATION

Z-B2 (BOX 2)-HARDWARE PACK IS LOCATED IN 300549 (B2)

	HARDWARE NAME	FIGURE	QTY
1	SHORT BOLT (M8 x 20MM - RBW)		16PCS
2	LONG BOLT (M6 x 50MM - RBW)		8PCS
3	LOCK WASHER (Ø1/4" x 12MM - RBW)		4PCS
4	FLAT WASHER (Ø1/4" x 19MM - RBW)		4PCS

ASSEMBLY TIPS:

1. Remove hardware from box and sort by size.
2. Please check to see that all hardware and parts are present prior to start of assembly.
3. Please follow attached instructions in the same sequence as numbered to assure fast & easy assembly.

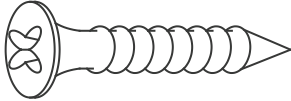

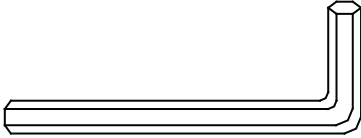


Warning!

1. Don't attempt to repair or modify parts that are broken or defective. Please contact the store immediately.
2. This product is for home use only and not intended for commercial establishments.

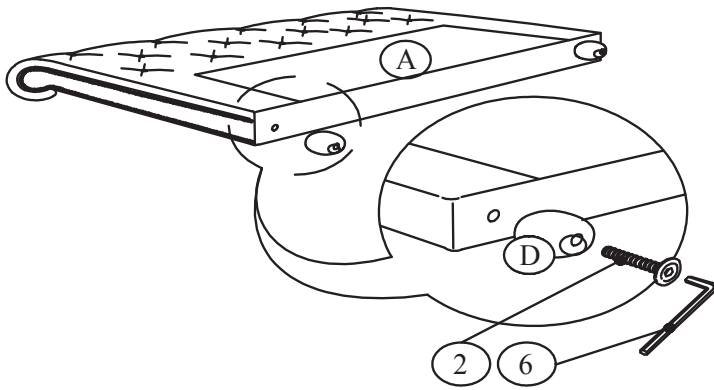
HARDWARE IDENTIFICATION

Z-B2 (BOX 2)-HARDWARE PACK IS LOCATED IN 300549 (B2)

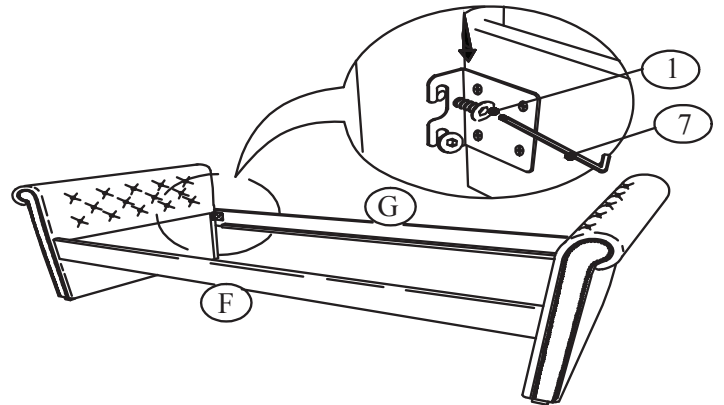
	HARDWARE NAME	FIGURE	QTY
5	FLAT HEAD SCREW (M4 x 32MM - RBW)		16PCS
6	SMALL ALLEN WRENCH (M4 x 65MM - BLK)		1PC
7	BIG ALLEN WRENCH (M5 x 65MM - BLK)		1PC

**NOTE : PHILLIPS HEAD SCREW DRIVER IS REQUIRED IN THE ASSEMBLY PROCESS;
HOWEVER, MANUFACTURER DOES NOT PROVIDE THIS ITEM.**

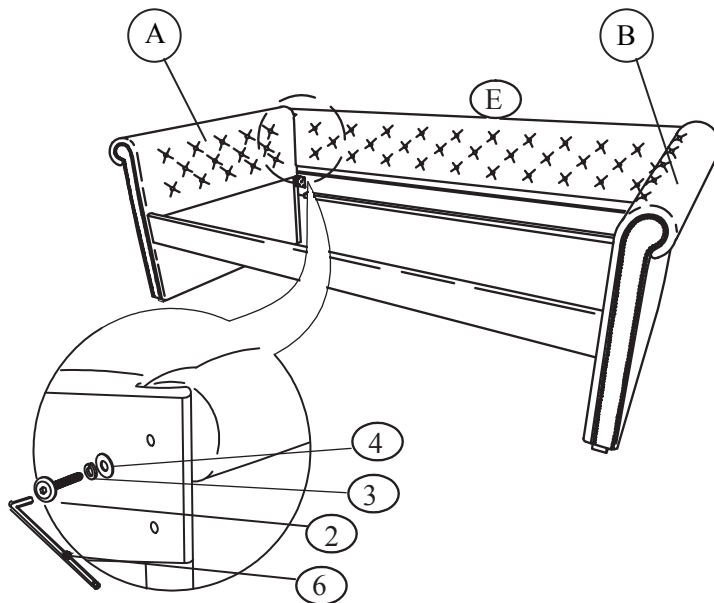
STEP 1



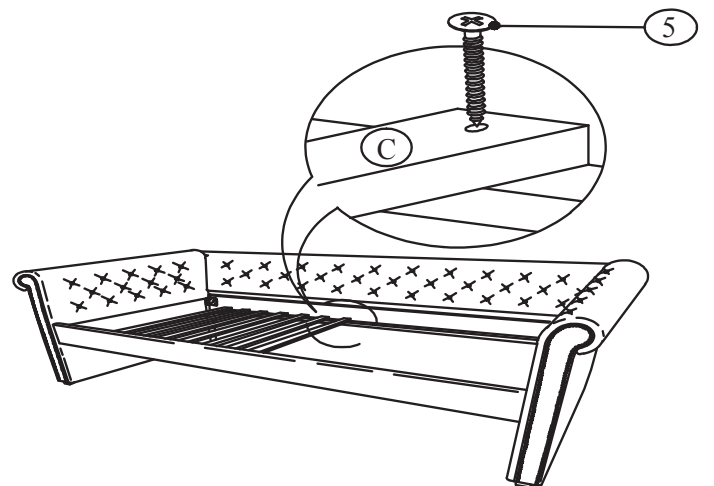
STEP 2



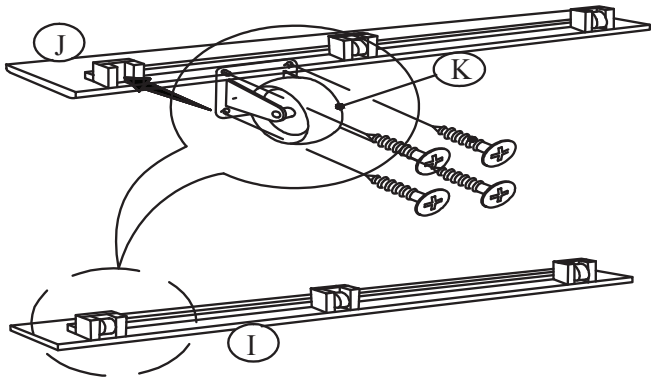
STEP 3



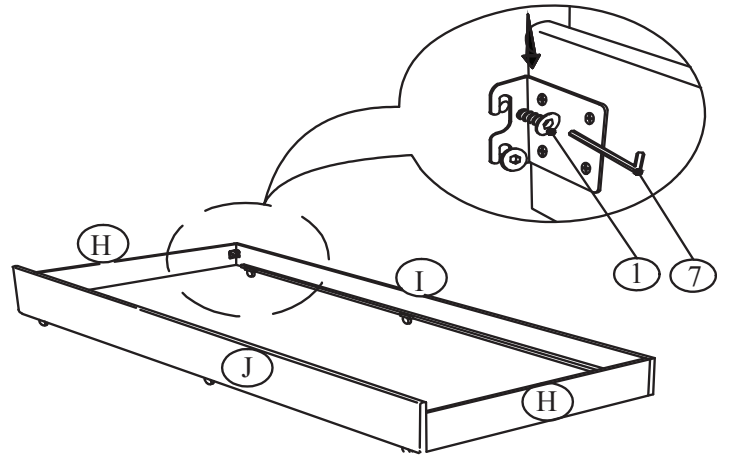
STEP 4



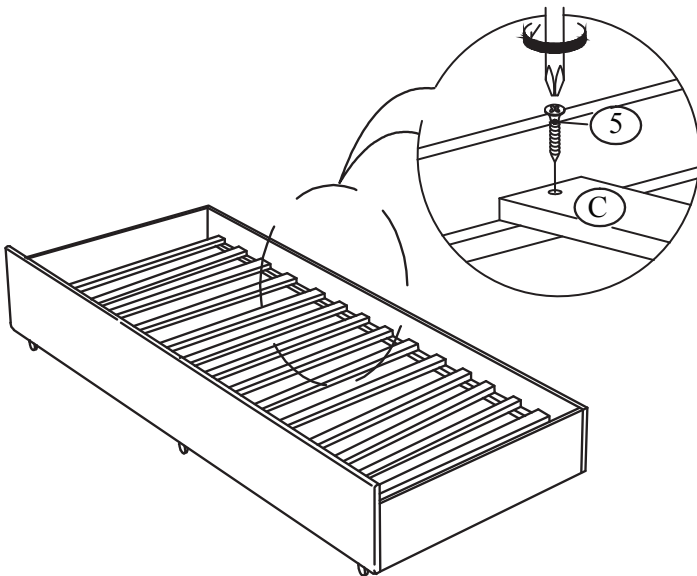
STEP 5



STEP 6



STEP 7



STEP 8
COMPLETE

