

COASTER[®]
FINE FURNITURE

600416

POWER LIFT RECLINER

ASSEMBLY INSTRUCTIONS
COASTER FINE FURNITURE



www.coastercompany.com

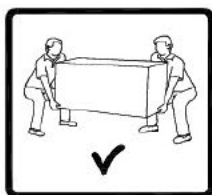
ASSEMBLY TIPS:

1. Remove hardware from box and sort by size
2. Please check to see that all hardware and parts are present prior to start of assembly.
3. Please follow attached instruction in the same sequence as numbered to assure fast & easy assembly.



Warning!

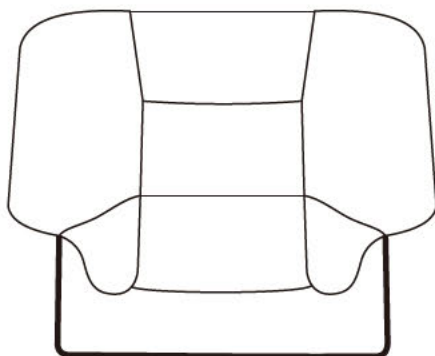
1. Don't attempt to repair or modify parts that are broken or defective. Please contact the store immediately.
2. This product is for home use only and not intended for commercial establishment.



ASSEMBLY TIME PER UNIT: 10 MINUTES

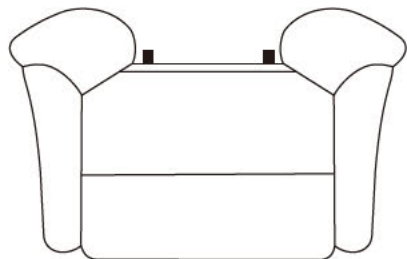
PARTS IDENTIFICATION

(A)




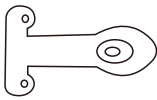


BACK 1PC



(B)

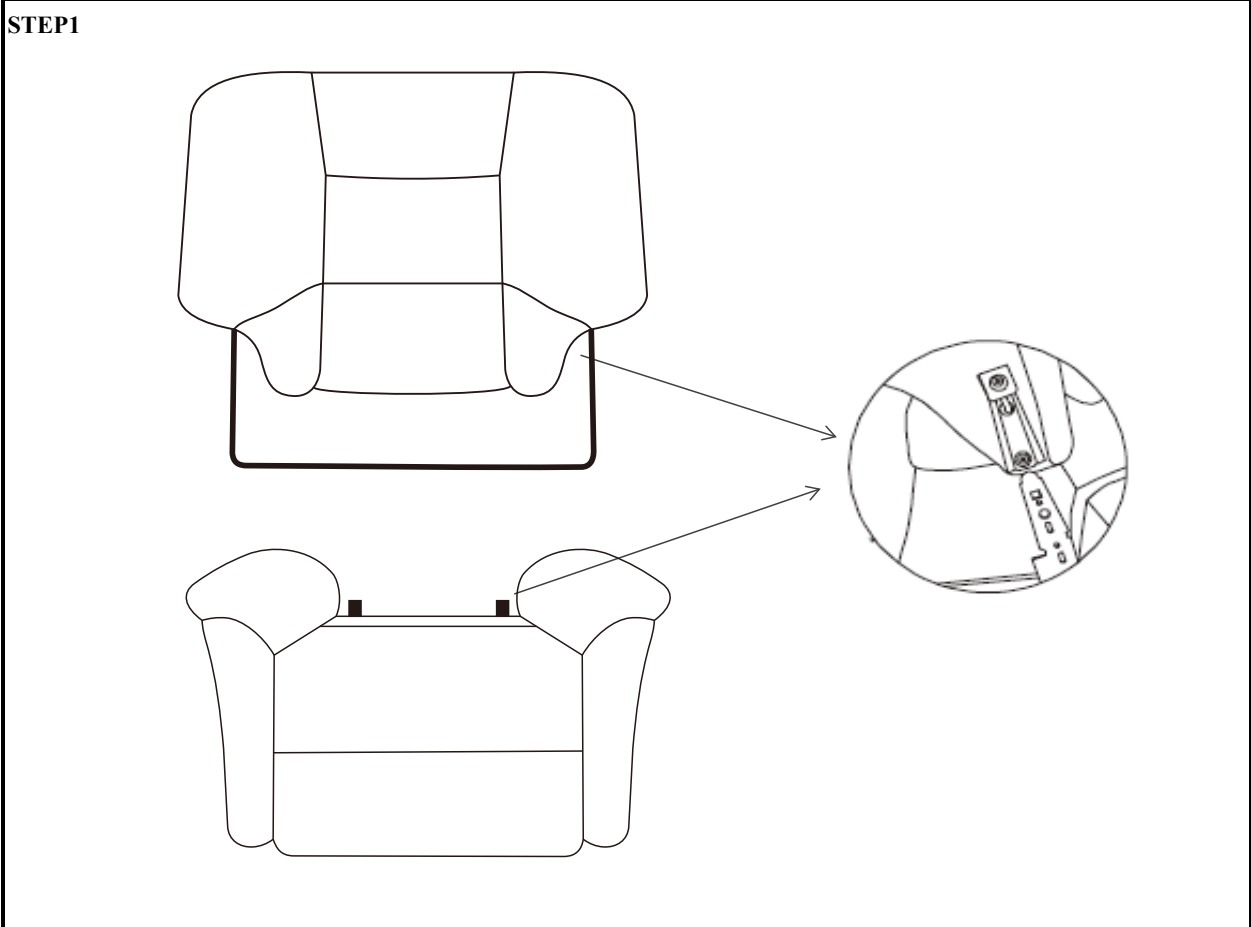


BASE 1PC

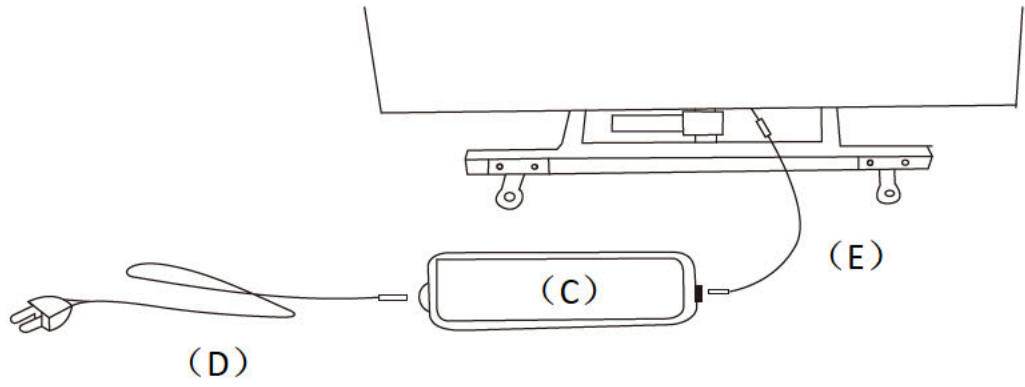
(C)		POWER ADAPTER	1PC
(D)		POWER CABLE	1PC
(E)		LINK CABLE	1PC
(F)		SUPPORT LEG	2PCS

<u>Z</u>	<u>HARDWARE IDENTIFICATION</u>
----------	---------------------------------------

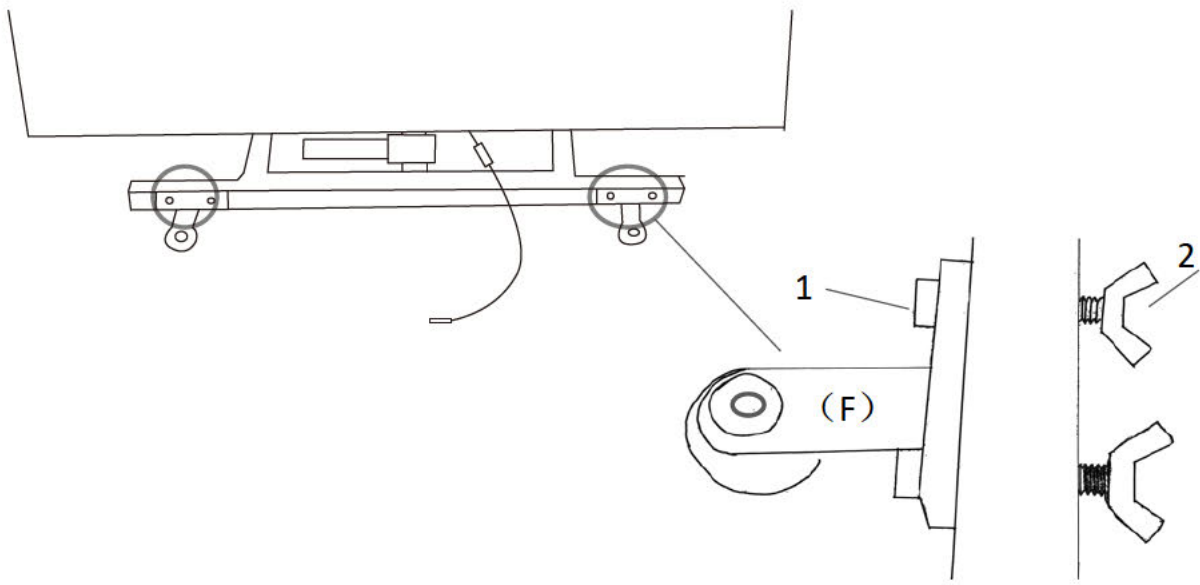
1		BOLT 1/4" *38mm	4PCS
2		BUTTERFLY NUT	4PCS



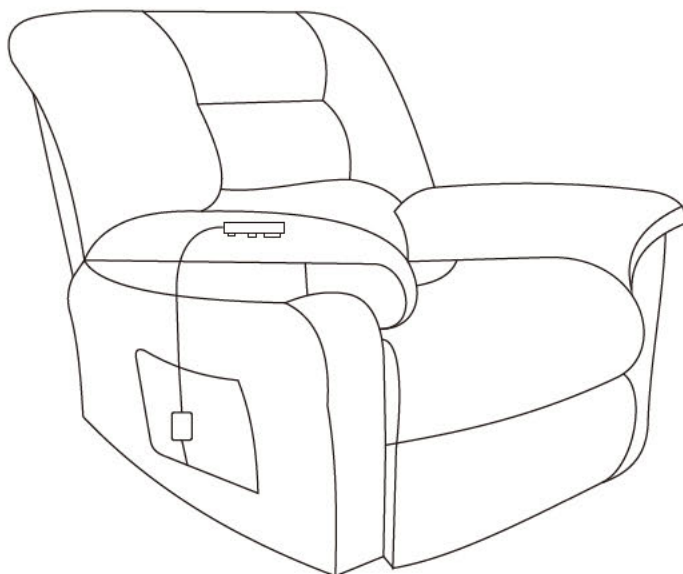
STEP2



STEP3



STEP4



STEP5

