

COASTER[®]
FINE FURNITURE

601025

POWER LIFT RECLINER

ASSEMBLY INSTRUCTIONS
COASTER FINE FURNITURE



www.coastercompany.com

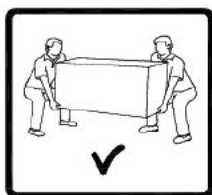
ASSEMBLY TIPS:

- 1. Remove hardware from box and sort by size
- 2. Please check to see that all hardware and parts are present prior to start of assembly.
- 3. Please follow attached instruction in the same sequence as numbered to assure fast & easy assembly.



Warning!

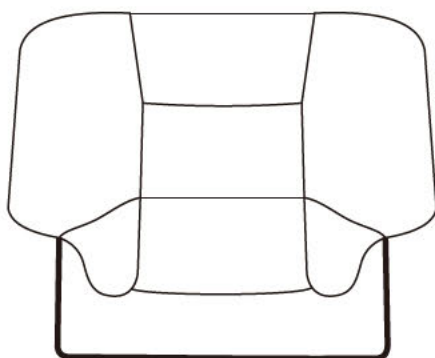
- 1. Don't attempt to repair or modify parts that are broken or defective. Please contact the store immediately.
- 2. This product is for home use only and not intended for commercial establishment.



ASSEMBLY TIME PER UNIT: 10 MINUTES

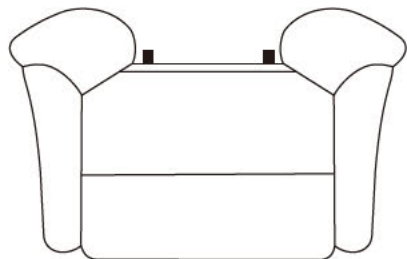
PARTS IDENTIFICATION

(A)




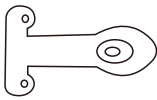


BACK 1PC



(B)

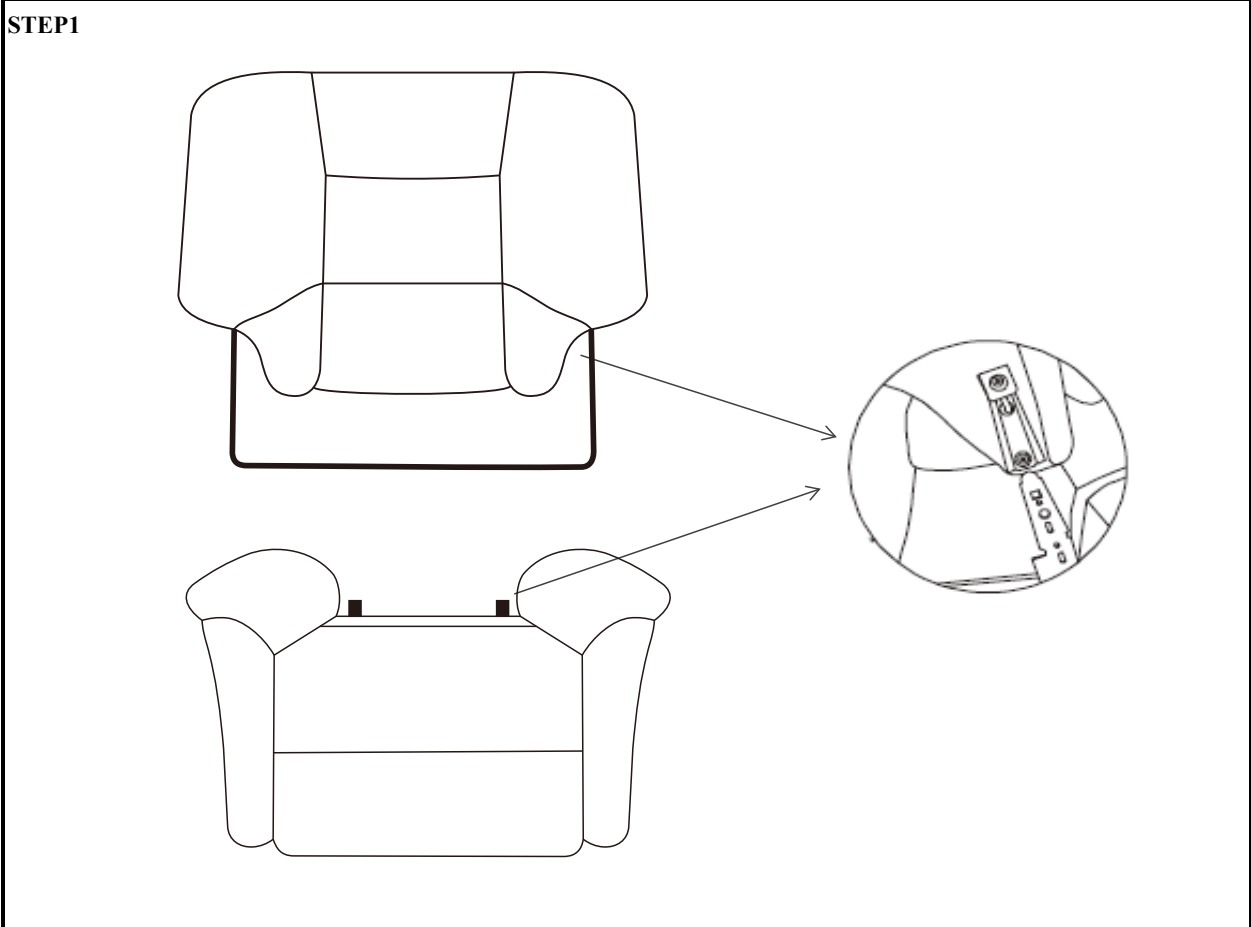


BASE 1PC

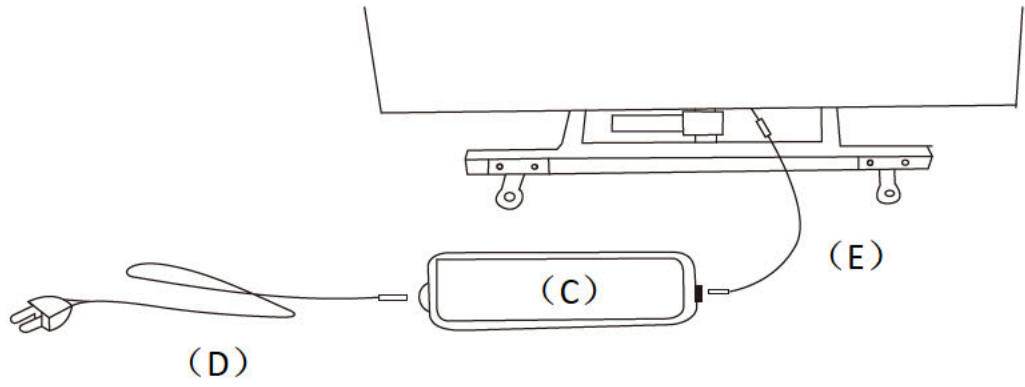
(C)		POWER ADAPTER	1PC
(D)		POWER CABLE	1PC
(E)		LINK CABLE	1PC
(F)		SUPPORT LEG	2PCS

<u>Z</u>	<u>HARDWARE IDENTIFICATION</u>
----------	---------------------------------------

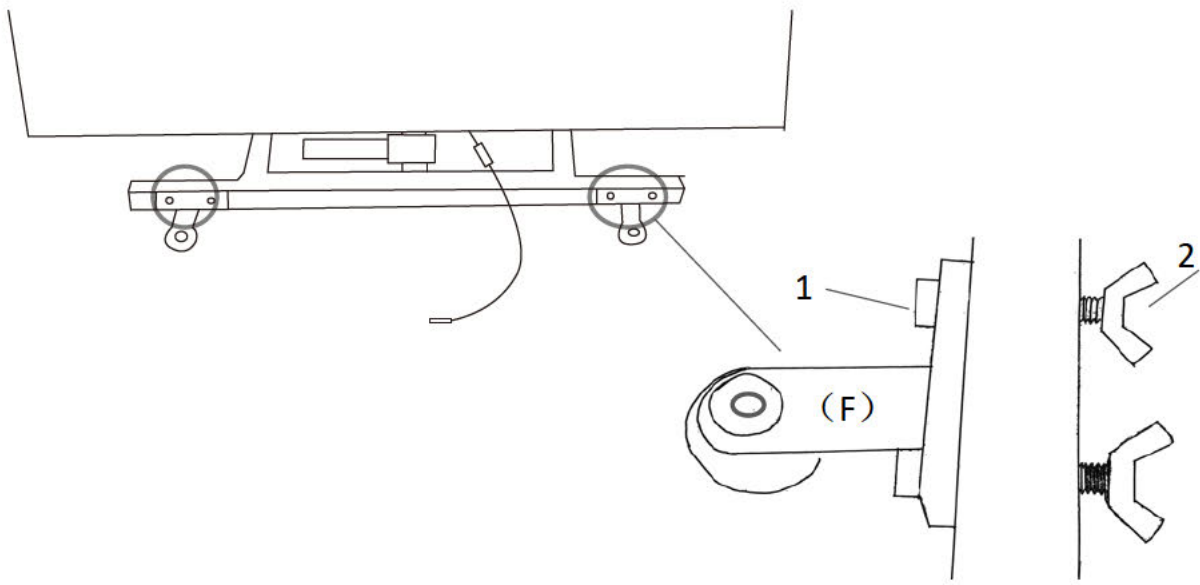
1		BOLT 1/4" *38mm	4PCS
2		BUTTERFLY NUT	4PCS



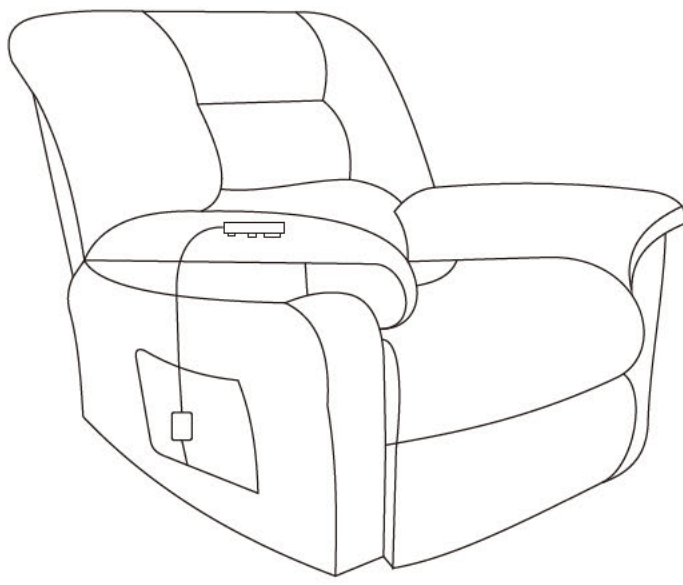
STEP2



STEP3



STEP4



STEP5

