

COASTER®

FINE FURNITURE

930137

3PC VANITY SET

ASSEMBLY INSTRUCTIONS COASTER FINE FURNITURE



www.coastercompany.com

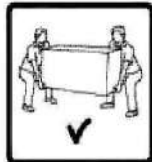
ASSEMBLY TIPS:

- 1.Remove hardware from box and sort by size.
- 2.Please check to see that all hardware and parts are present prior to start of assembly.
- 3.Please follow attached instructions in the same sequence as numbered to assure fast & easy assembly.




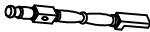
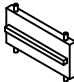






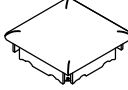

Warning!

- 1.Don't attempt to repair or modify parts that are broken or defective. Please contact the store immediately.
- 2.This product is for home use only and not intended for commercial establishments.



ASSEMBLY TIME	20 MINUTES
----------------------	-------------------

PARTS IDENTIFICATION

PART	PART NAME	FIGURE	QTY
A	VANITY MIRROR		1 PC
B	MIRROR SUPPORT		2 PCS
C	MIDDLE PANEL		2 PCS
D	TOP PANEL		1 PC
E	SIDE PANEL		2 PCS
F	BACK PANEL		1 PC
G	MIRROR DRAWER		2 PCS
H	DESK		1 PC
I	DESK LEG		4 PCS
J	STOOL SEAT CUSHION WITH FRAME		1 PC
K	STOOL LEG		4 PCS

ASSEMBLY TIPS:







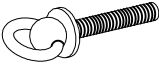

1. Remove hardware from box and sort by size.
2. Please check to see that all hardware and parts are present prior to start of assembly.
3. Please follow attached instructions in the same sequence as numbered to assure fast & easy assembly.



Warning!

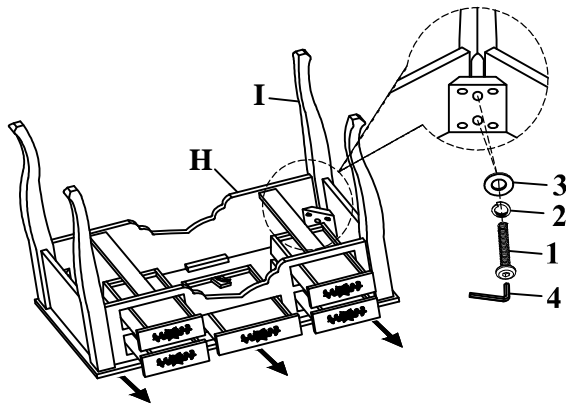
1. Don't attempt to repair or modify parts that are broken or defective. Please contact the store immediately.
2. This product is for home use only and not intended for commercial establishments.

HARDWARE IDENTIFICATION

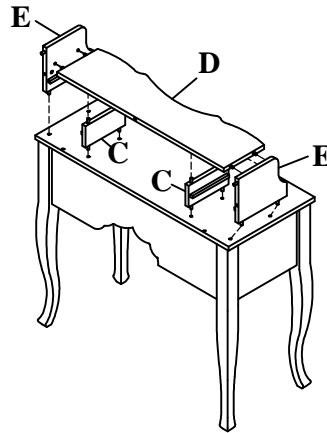
	HARDWARE NAME	FIGURE	QTY
1	BOLT (Ø1/4" x 2" - RBW)		21 PCS
2	LOCK WASHER (Ø1/4" - RBW)		16 PCS
3	FLAT WASHER (Ø5/16" - RBW)		16 PCS
4	ALLEN WRENCH (4MM - RBW)		1 PC
5	BARREL NUT (Ø1/4" - RBW)		5 PCS
6	PAN HEAD SCREW (Ø5/32" x 1" - RBW)		4 PCS
7	RING BOLT (Ø5/16" x 1-3/4" - BLK)		2 PCS
8	FLAT WASHER (Ø1/4" - RBW)		4 PCS

NOTE: PHILLIPS HEAD SCREW DRIVER IS REQUIRED IN THE ASSEMBLY PROCESS; HOWEVER, MANUFACTURER DOES NOT PROVIDE THIS ITEM.

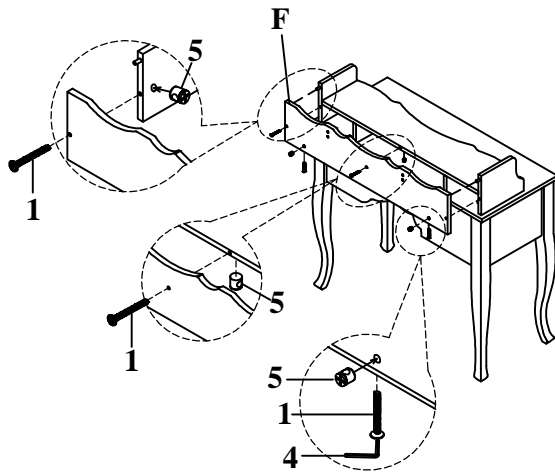
STEP 1



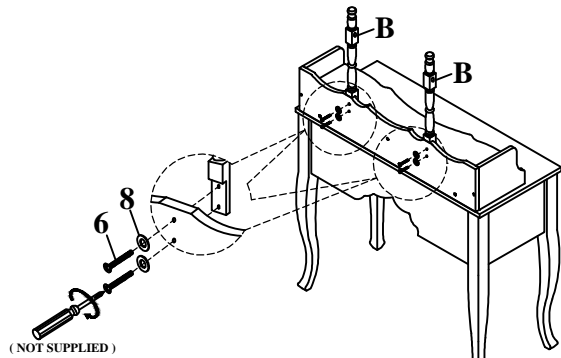
STEP 2



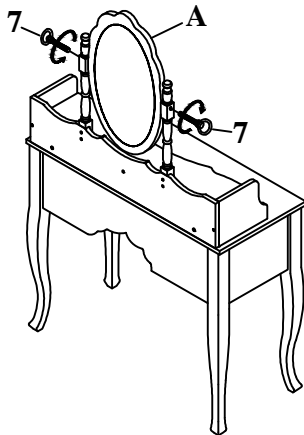
STEP 3



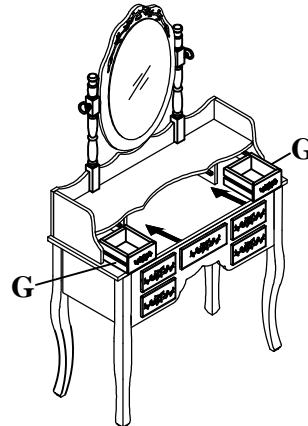
STEP 4



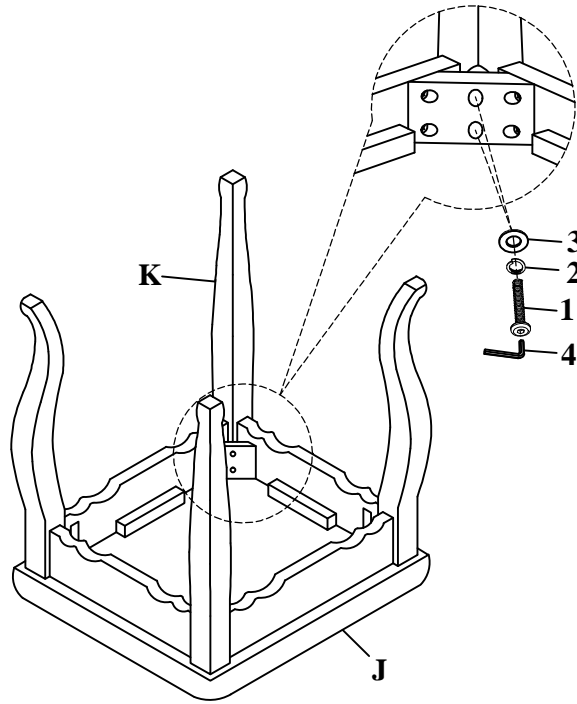
STEP 5



STEP 6



STEP 7



STEP 8
COMPLETE

