

COASTER®

FINE FURNITURE

930133

3PC VANITY SET

ASSEMBLY INSTRUCTIONS COASTER FINE FURNITURE



www.coastercompany.com

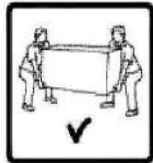
ASSEMBLY TIPS:

- 1.Remove hardware from box and sort by size.
- 2.Please check to see that all hardware and parts are present prior to start of assembly.
- 3.Please follow attached instructions in the same sequence as numbered to assure fast & easy assembly.



Warning!

- 1.Don't attempt to repair or modify parts that are broken or defective. Please contact the store immediately.
- 2.This product is for home use only and not intended for commercial establishments.



ASSEMBLY TIME	15 MINUTES
----------------------	-------------------

PARTS IDENTIFICATION

A	PART NAME	FIGURE	QTY
	DESK		1 PC
B	DESK BUN FOOT		4 PCS
C	BOTTOM PANEL		2 PCS
D	SIDE PANEL		4 PCS
E	BACK PANEL		1 PC
F	TOP PANEL		1 PC
G	MIRROR DRAWER		2 PCS
H	MIDDLE VANITY MIRROR		1 PC
I	LEFT VANITY MIRROR		1 PC
J	RIGHT VANITY MIRROR		1 PC
K	SUPPORT BAR		2 PCS
L	STOOL SEAT CUSHION WITH FRAME		1 PC
M	STOOL LEG		4 PCS

ASSEMBLY TIPS:







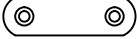

1. Remove hardware from box and sort by size.
2. Please check to see that all hardware and parts are present prior to start of assembly.
3. Please follow attached instructions in the same sequence as numbered to assure fast & easy assembly.



Warning!

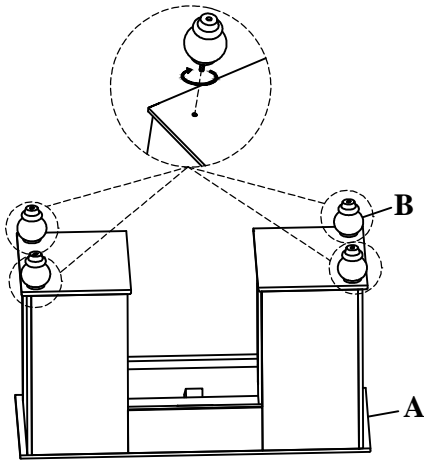
1. Don't attempt to repair or modify parts that are broken or defective. Please contact the store immediately.
2. This product is for home use only and not intended for commercial establishments.

HARDWARE IDENTIFICATION

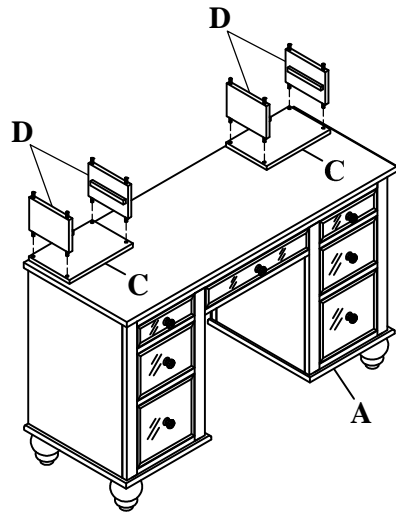
	HARDWARE NAME	FIGURE	QTY
1	LONG BOLT (Ø1/4" x 2" - RBW)		13 PCS
2	BARREL NUT (Ø1/4" - RBW)		5 PCS
3	SHORT BOLT (Ø1/4" x 1-3/8" - RBW)		8 PCS
4	LOCK WASHER (Ø1/4" - RBW)		16 PCS
5	FLAT WASHER (Ø5/16" - RBW)		16 PCS
6	ALLEN WRENCH (4MM - RBW)		1 PC
7	METAL PLATE (1-3/4" x 1/2" - BLK)		2 PCS
8	PAN HEAD SCREW (3 x 12mm - SR)		4 PCS

NOTE: PHILLIPS HEAD SCREW DRIVER IS REQUIRED IN THE ASSEMBLY PROCESS; HOWEVER, MANUFACTURER DOES NOT PROVIDE THIS ITEM.

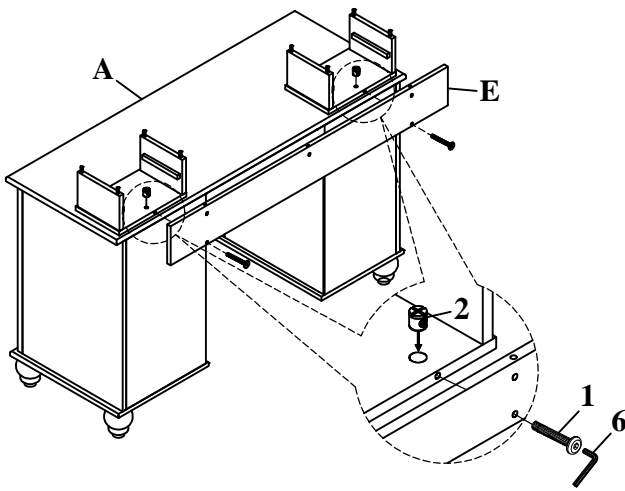
STEP 1



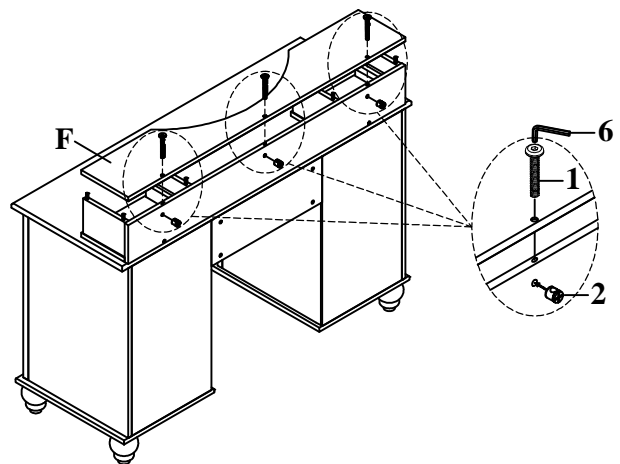
STEP 2



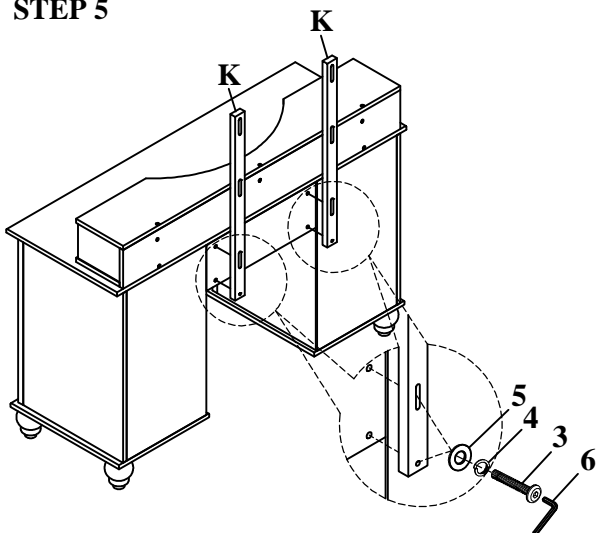
STEP 3



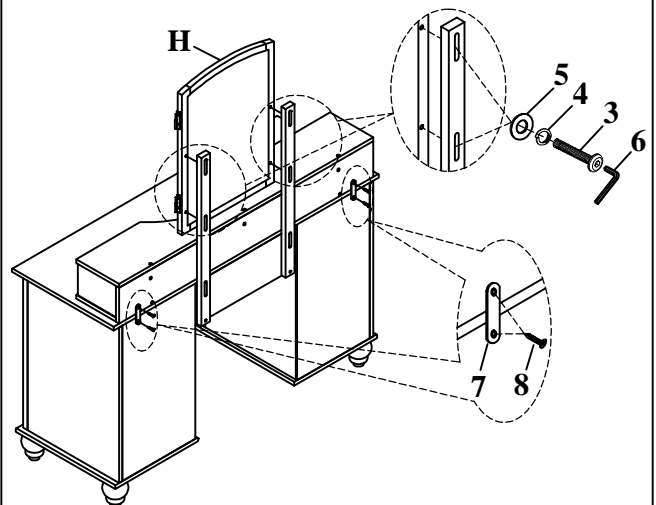
STEP 4



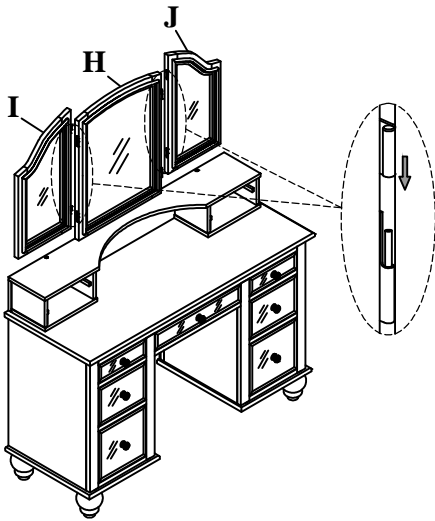
STEP 5



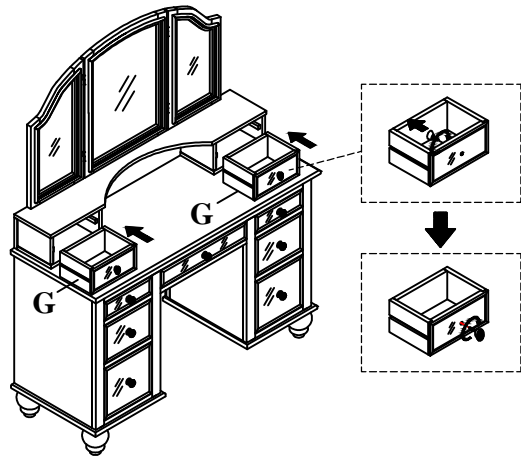
STEP 6



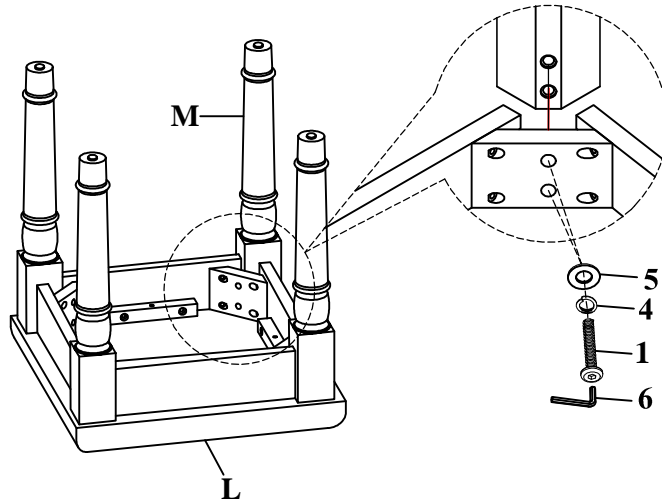
STEP 7



STEP 8



STEP 9



STEP 10
COMPLETE

