

722416

ACCENT TABLE

ASSEMBLY INSTRUCTIONS



www.coastercompany.com

ASSEMBLY INSTRUCTIONS

ASSEMBLY TIPS:








1. Remove hardware from box and sort by size.
2. Please check to see that all hardware and parts are present prior to start of assembly.
3. Please follow attached instructions in the same sequence as numbered to assure fast & easy assembly.

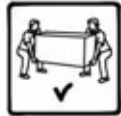


Warning!

1. Don't attempt to repair or modify parts that are broken or defective. Please contact the store immediately.
2. This product is for home use only and not intended for commercial establishments.

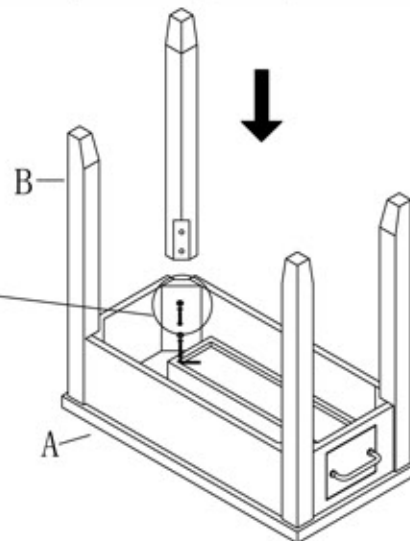
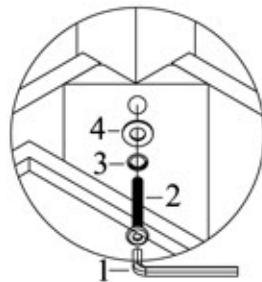
PARTS IDENTIFICATION Z HARDWARE PACKAGE

A	TOP		1PC	NO.	DESCRIPTION	SKETCH	QTY	3	LOCK WASHER (Ø5/16" BLACK)		12PCS
B	LEG		4PCS	1	ALLEN WRENCH (5MM BLACK)		1PC	4	FLAT WASHER (Ø5/16"*5/8" BLACK)		12PCS
C	SHELF		1PC	2	BOLT (Ø5/16"*2" BLACK)		12PCS				

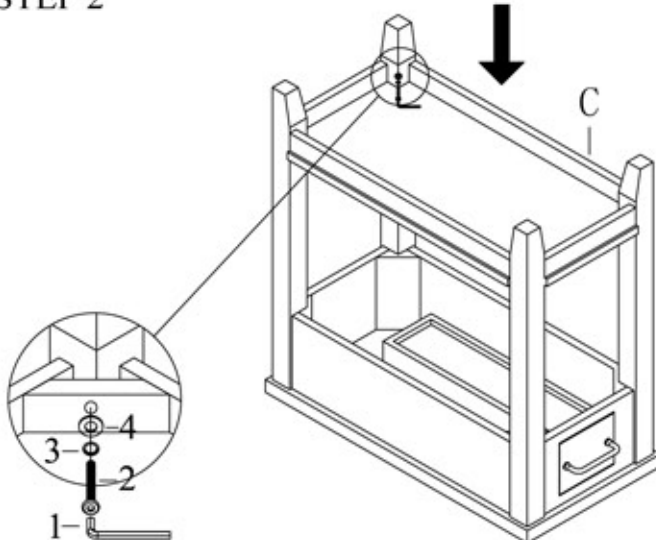


ASSEMBLY TIME PER UNIT: 20 MINUTES

STEP 1



STEP 2



STEP 3

