

COASTER®

Fine Furniture

600182

CONSOLE

ASSEMBLY INSTRUCTION COASTER FINE FURNITURE



www.coastercompany.com

REVISION 0:07/30/2018

PAGE 1 OF 3

ASSEMBLY INSTRUCTION

ASSEMBLY TIPS :

1. Remove hardware from box and sort by size.
2. Please check to see that all hardware and parts are present prior to start of assembly.
3. Please follow attached instruction in the same sequence as numbered to assure fast & easy assembly.

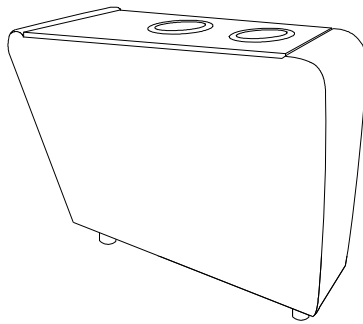
⚠ Warning !

1. Don't attempt to repair or modify parts that are broken or defective. Please contact the store immediately.
2. This product is for home use only and not intended for commercial establishment.



ASSEMBLY TIME :	5 MINUTES
-----------------	-----------

PARTS IDENTIFICATION



A CONSOLE




1PC

B LEG



3PCS

Z	HARDWARE PACKAGE		
NO	DESCRIPTION	FIGURE	QTY
1	PLASTIC GASKET 5/16" * 49mm		3PCS

STEP 1

STEP 1

1		X 3
---	---	-----

