

COASTER[®]
FINE FURNITURE

4838 (B1 & B2)
FUTON

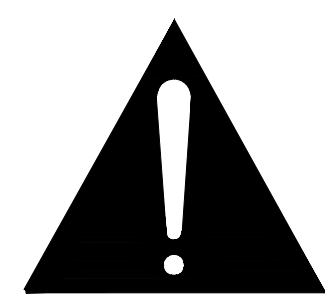
ASSEMBLY INSTRUCTIONS
COASTER FINE FURNITURE



www.coastercompany.com

ASSEMBLY TIPS:

1. Remove hardware from box and sort by size.
2. Please check to see that all hardware and parts are present prior to start of assembly.
3. Please follow attached instructions in the same sequence as numbered to assure fast and easy assembly.



Warning!

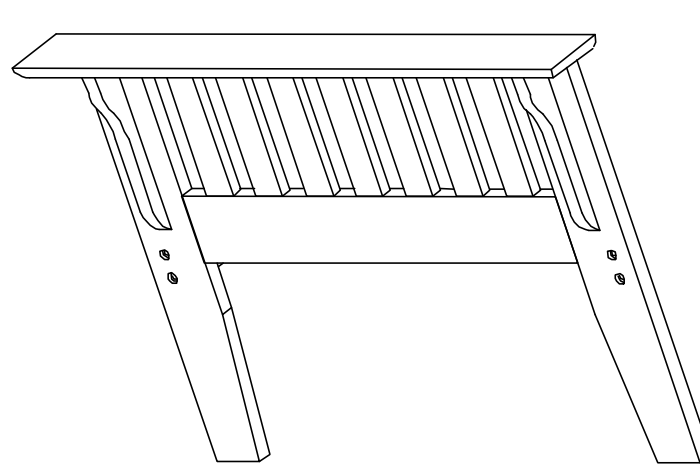
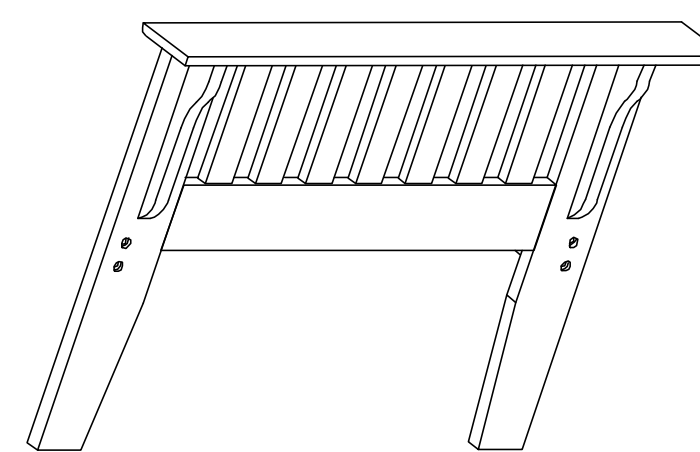
1. Don't attempt to repair or modify parts that are broken or defective. Please contact the store immediately.
2. This product is for home use only and not intended for commercial establishments.



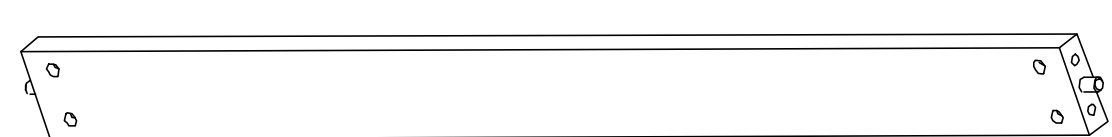
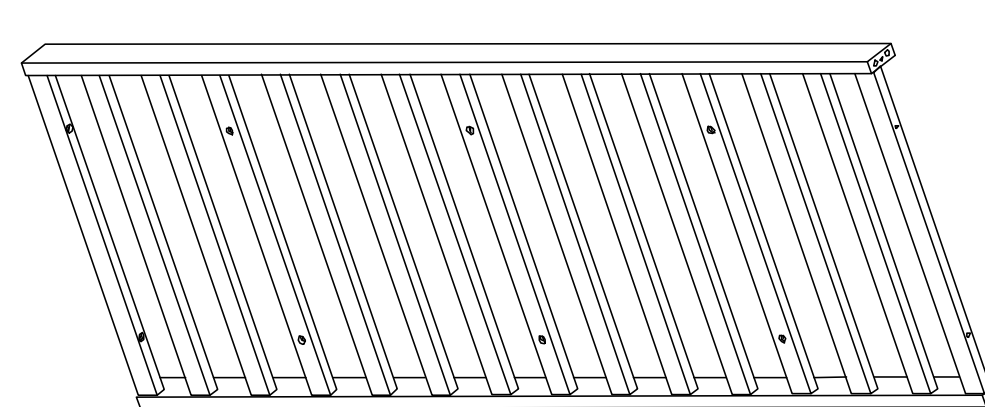
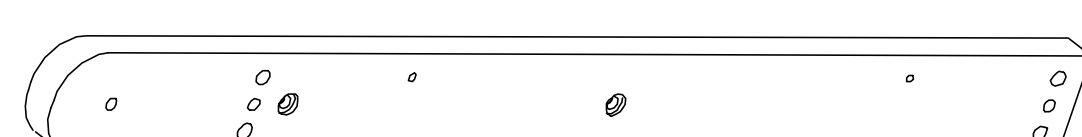

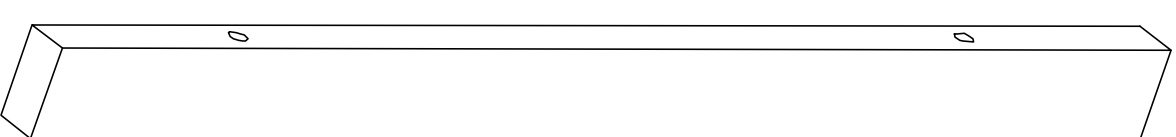
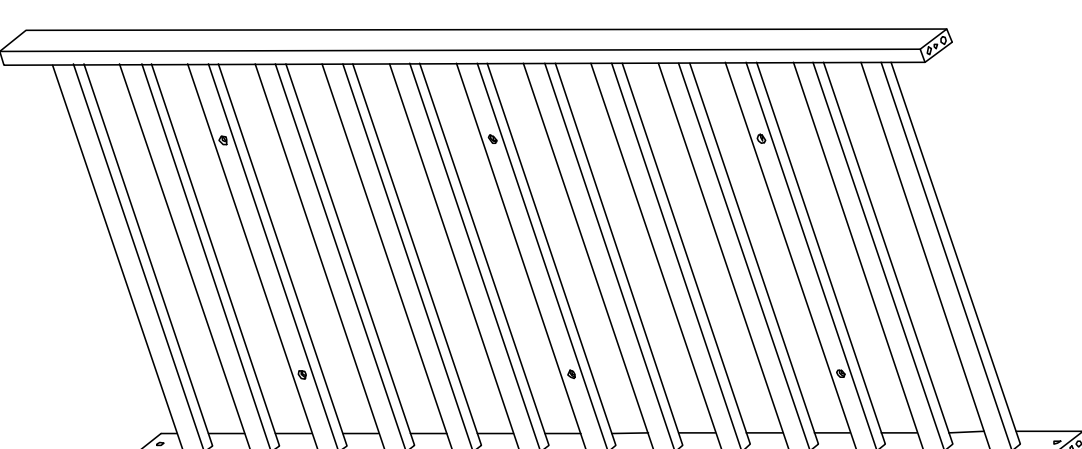
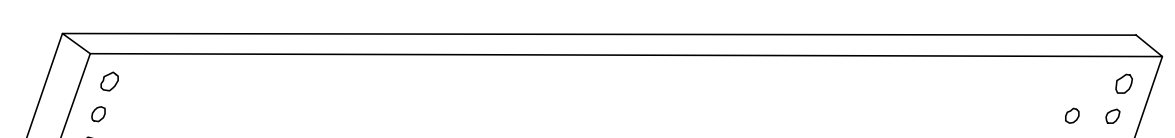
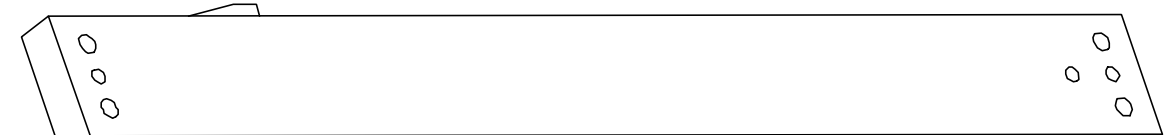
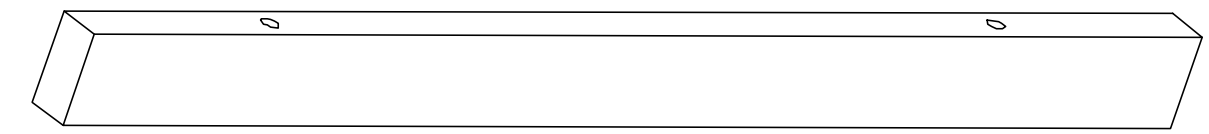
ASSEMBLY TIME	20 MINUTES
----------------------	-------------------

PARTS IDENTIFICATION

B1 (BOX1)

	PART NAME	FIGURE	QTY
AN	LEFT FUTON ARM		1PC
BN	RIGHT FUTON ARM		1PC

B2 (BOX2)

CN	STRETCHER		2PCS
DN	BACK DECK		1PC
EN	LEFT BACK DECK SIDE RAIL		1PC
FN	RIGHT BACK DECK SIDE RAIL		1PC
GN	SHORT SLAT SUPPORT		3PCS
HN	SEAT DECK		1PC
IN	LEFT SEAT DECK SIDE RAIL		1PC
JN	RIGHT SEAT DECK SIDE RAIL		1PC
KN	LONG SLAT SUPPORT		3PCS

ASSEMBLY TIPS:

1. Remove hardware from box and sort by size.
2. Please check to see that all hardware and parts are present prior to start of assembly.
3. Please follow attached instructions in the same sequence as numbered to assure fast and easy assembly.



Warning!

1. Don't attempt to repair or modify parts that are broken or defective. Please contact the store immediately.
2. This product is for home use only and not intended for commercial establishments.

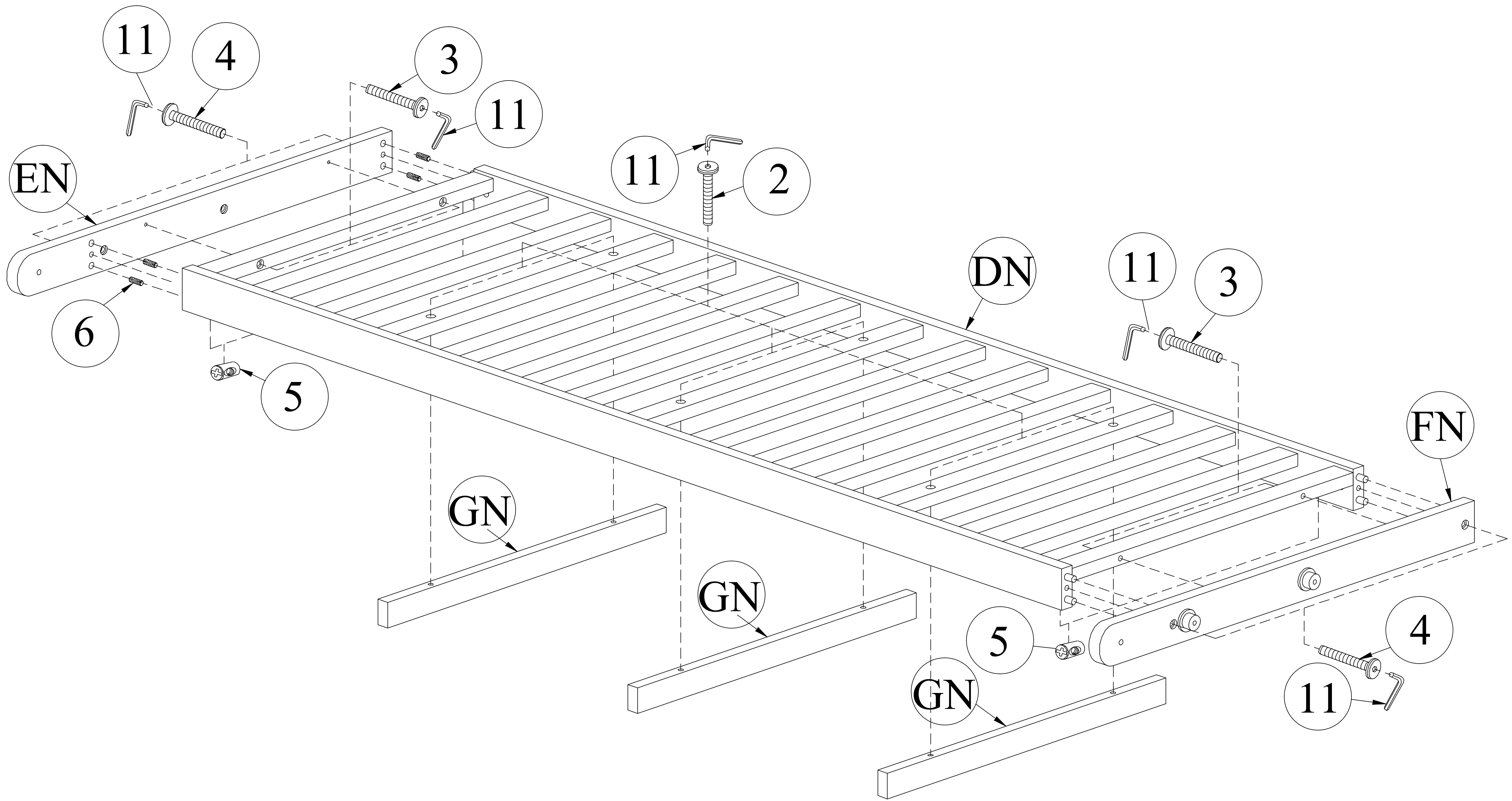
HARDWARE IDENTIFICATION

Z-B1(BOX1) - HARDWARE PACK IS LOCATED IN 4838 (B1)

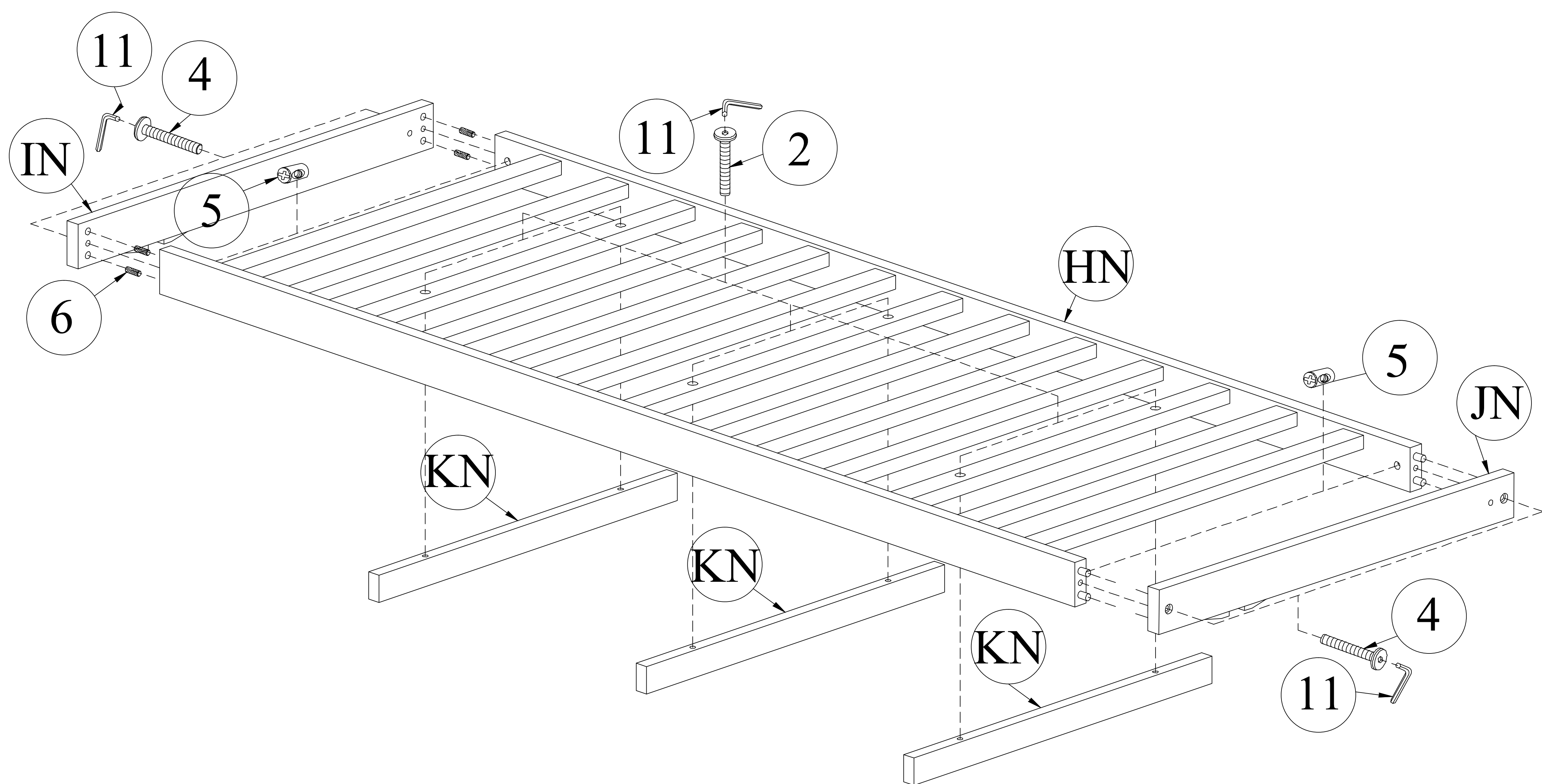
	HARDWARE NAME	FIGURE	QTY
1	BOLT 1 (Ø1/2" x 17mm - RBW)		4PCS
2	BOLT 2 (Ø1/2" x 33mm - RBW)		12PCS
3	BOLT 3 (Ø1/2" x 47mm - RBW)		4PCS
4	BOLT 4 (Ø1/2" x 57mm - RBW)		16PCS
5	BARREL NUT (Ø9mm x 13mm - RBW)		16PCS
6	WOOD DOWEL (Ø10mm x 30mm - RBW)		20PCS
7	COTTER PIN (Ø1/2" x 57mm - RBW)		2PCS
8	FLAT WASHER (Ø25mm x 2mm- WHT)		4PCS
9	COTTER CLIP (28mm x 8mm x 1.5mm - RBW)		2PCS
10	IRON BOWL (42mm x 35mm x 32mm - RBW)		4PCS
11	ALLEN WRENCH (4mm - RBW)		1PC

NOTE: PHILLIPS HEAD SCREW DRIVER IS REQUIRED IN THE ASSEMBLY PROCESS; HOWEVER, MANUFACTURER DOES NOT PROVIDE THIS ITEM.

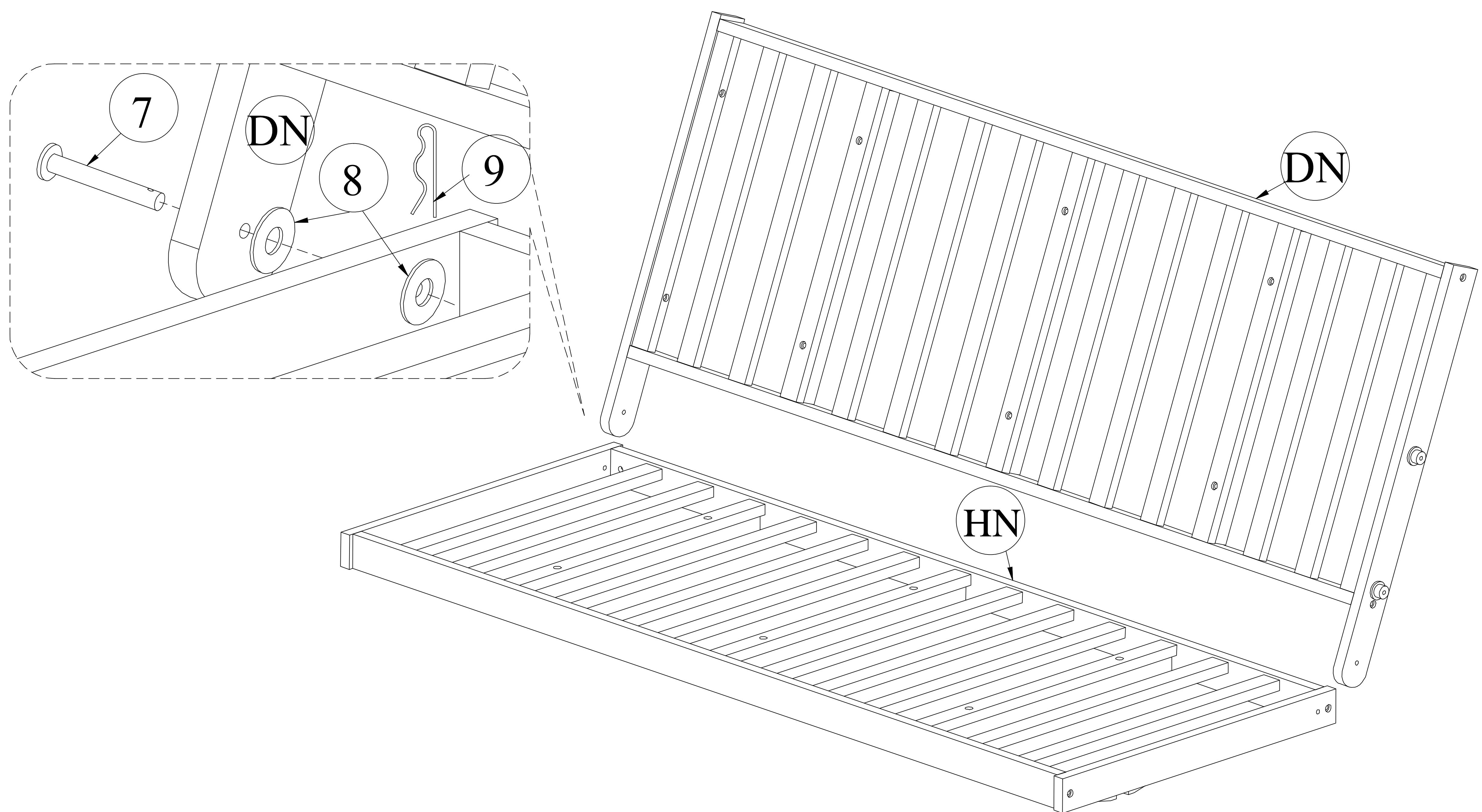
STEP 1



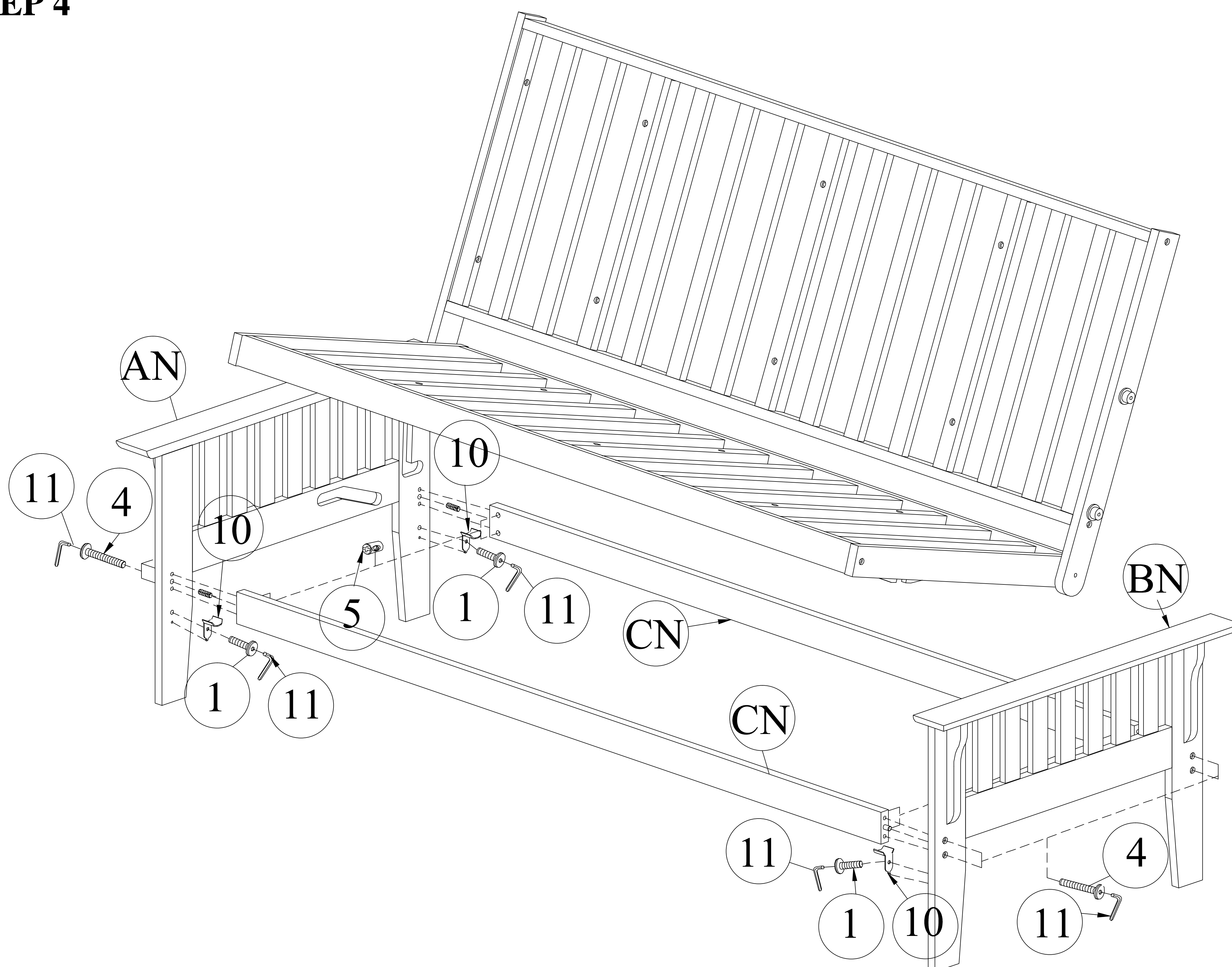
STEP 2



STEP 3



STEP 4



STEP 5
Complete

