

**COASTER**<sup>®</sup>  
FINE FURNITURE

**100952**

**OAK CHAIR**

---

**ASSEMBLY INSTRUCTION  
COASTER FINE FURNITURE**



**[www.coastercompany.com](http://www.coastercompany.com)**

# Assembly Instruction


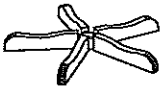









**ASSEMBLY TIPS:**








- 1.Remove hardware from box and sort by size.
- 2.Please check to see that all hardware and parts are present prior to start of assembly.
- 3.Please follow attached instructions in the same sequence as numbered to assure fast & easy assembly.

**Warning !**

1. Don't attempt to repair or modify parts that are broken or defective .Please contact the store immediately.
2. This product is for home use only and not intended for commercial establishment.

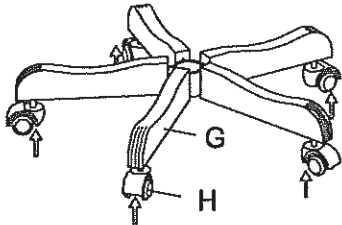
## PARTS IDENTIFICATION

	A LEFT ARMREST	1 PC		G BASE	1 PC
	B RIGHT ARMREST	1 PC		H CASTER	5 PCS
	C LEFT BACKREST	1 PC		I WOODEN COVER	1 PC
	D RIGHT BACKREST	1 PC		J SUPPORTING BAR	1 PC
	E SEAT	1 PC		K SEAT PLATE	1 PC
	F BACK CUSHION	1 PC			

Z	HARDWARE PACKAGE		
NO:	DESCRIPTION	FIGURE	Q'TY
1	LARGE BOLT		4 PCS
2	SMALL BOLT		4 PCS
3	METAL WASHER		12PCS
4	13mm HEX NUT		8 PCS
5	WOODEN PLUG		4 PCS
6	GLUE		1 PC
7	ALLEN WRENCH		1 PC
8	L-BRACKETS		8 PCS
9	0.5in - SCREWS		16 PCS

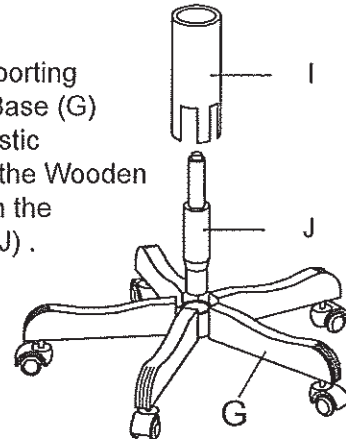
**STEP 1:**

Insert the Casters (H) into the Base (G) .



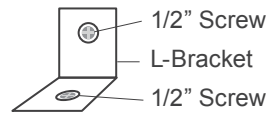
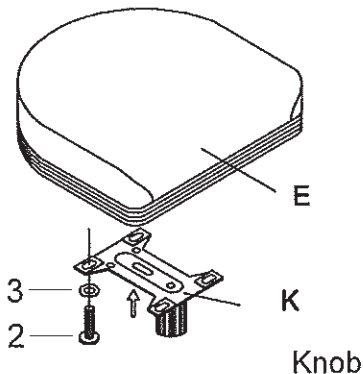
**STEP 2:**

Insert the Supporting Bar (J) into the Base (G) center with a plastic hammer . Insert the Wooden Cover (I) through the Supporting Bar (J) .



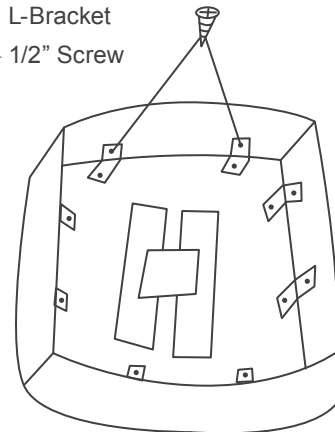
**STEP 3:**

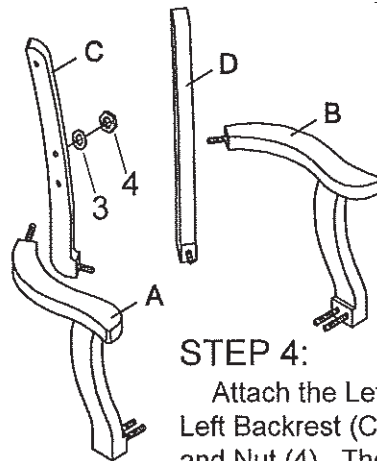
Attach the Seat Plate (K) to the Seat (E) with Bolt (2) and Metal Washer (3) . (The Knob on the Seat Plate (G) should face forwards)



**STEP 3B:**

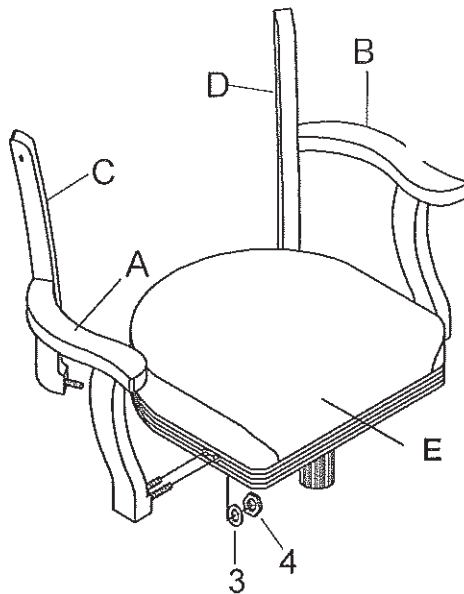
Secure 8 L-Brackets (8) to the seat using 2 - 1/2" screws (9) on each L-Bracket.





**STEP 4:**

Attach the Left Armrests (A) to the Left Backrest (C) with Metal Washer (3) and Nut (4) . Then attach the Right Armrests (B) to the Right Backrest (D) with Metal Washer (3) and Nut (4) . ( Don't tighten the Bolts (1) until step 6)

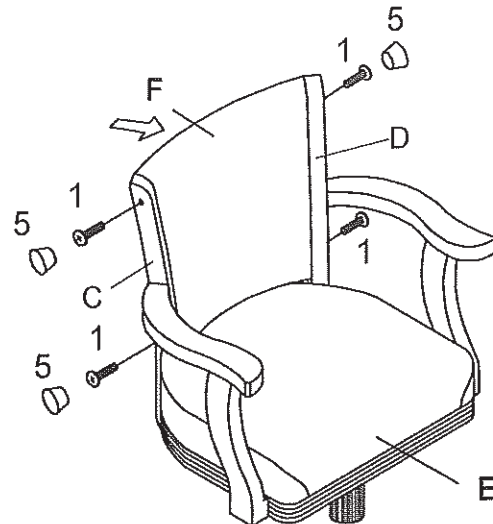
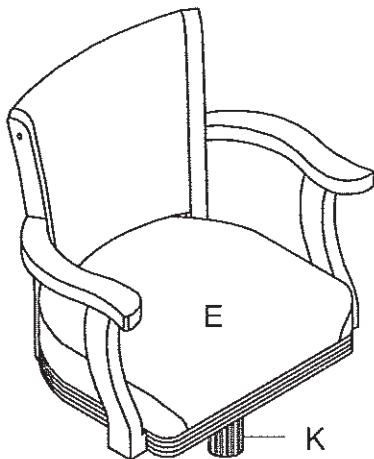


**STEP 5:**

Attach the Left (Right) Armrests (A /B) and the Left (Right) Backrest (C /D) onto the Seat (E) with Metal Washer (3) and Nut (4) . (Don't tighten the Bolts (1) until step 6)

**STEP 6:**

Attach the Back Cushion (F) to the Left (Right) Backrest (C /D) with Bolts (1), then put into the Wooden Plug (5).



**STEP 7:**

Place the Seat (E) onto the SupportingBar (J) through the hole under the Seat Plate (K) .

