

COASTER®

Fine Furniture

360092
SOFA BED

ASSEMBLY INSTRUCTION COASTER FINE FURNITURE



ASSEMBLY INSTRUCTION

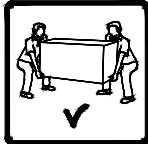
ASSEMBLY TIPS:

1. Remove hardware from box and sort by size.
2. Please check to see that all hardware and parts are present prior to start of assembly.
3. Please follow attached instructions in the same sequence as numbered to assure fast & easy assembly.



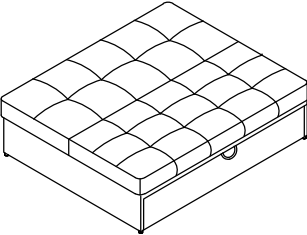
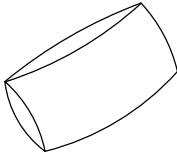
Warning !

1. Don't attempt to repair or modify parts that are broken or defective. Please contact the store immediately.
2. This product is for home use only and not intended for commercial establishment.

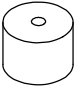





ASSEMBLY TIME PER UNIT: 10 MINUTES

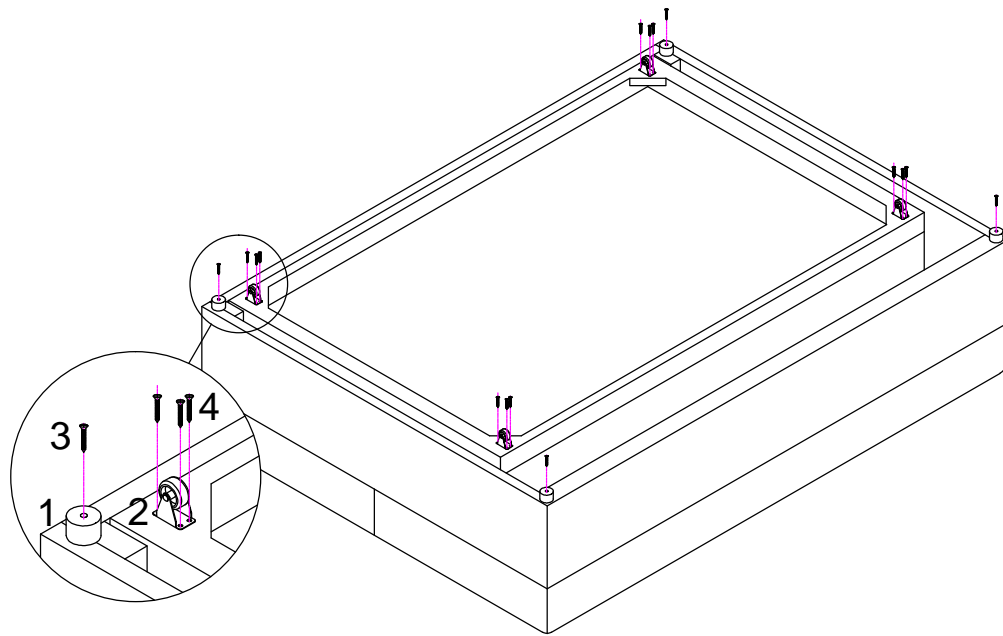
PARTS IDENTIFICATION:

NO	DESCRIPTION & FIGURE	QTY
Sofa bed		
A	Sofa bed 	1pc
B	Pillows 	1pc

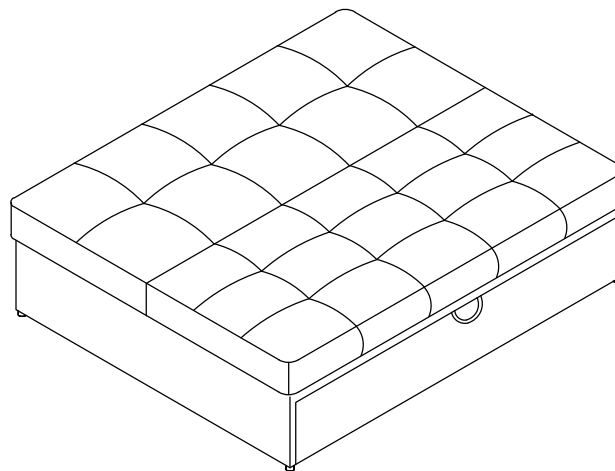
HARDWARE IDENTIFICATION:

NO	DESCRIPTION	FIGURE	QTY
Z hardware pack is located in 503929 B1			
1	Leg		12PCS
2	Wheel		4PCS
3	Screw A	 5CM	4PCS
4	Screw B	 2.5CM	12PCS

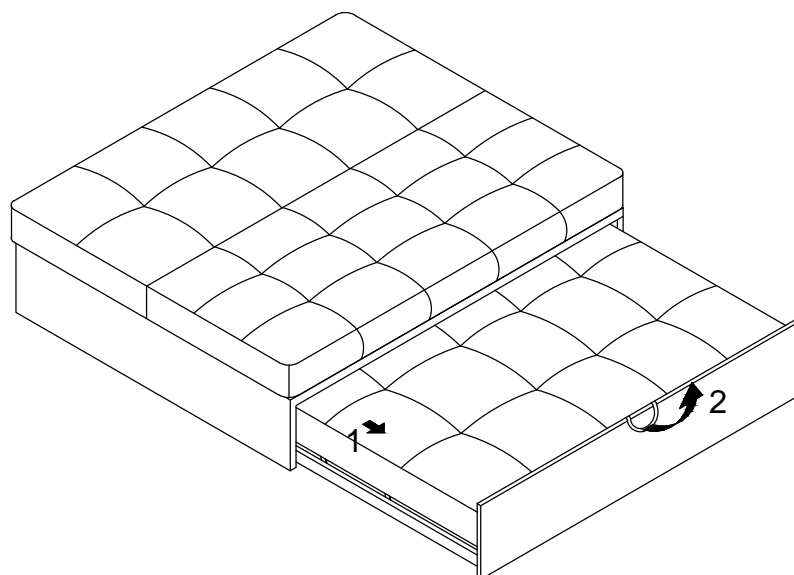
step 1



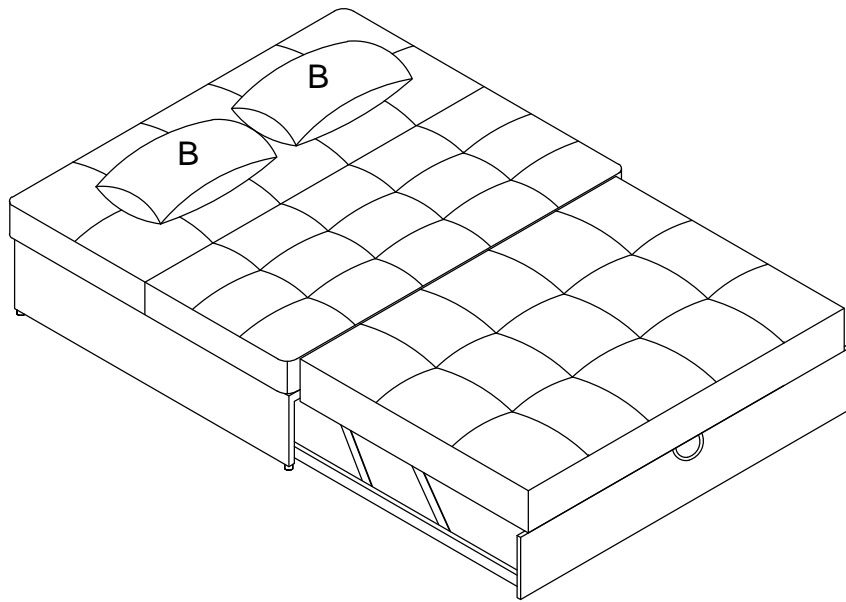
step 2



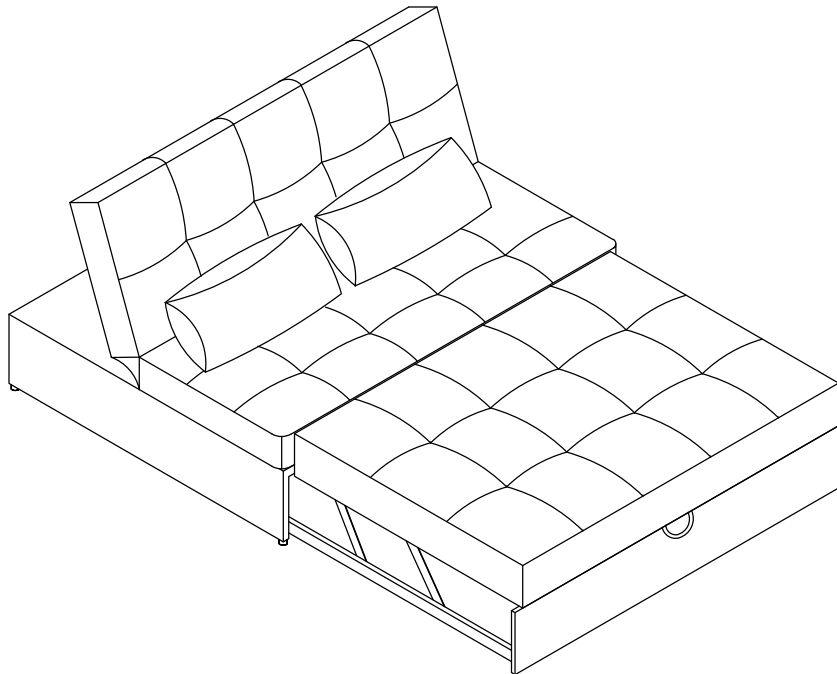
step 3



step 4



step 5



step 6

