

COASTER[®]
FINE FURNITURE

802611

WRITING DESK

**ASSEMBLY INSTRUCTIONS
COASTER FINE FURNITURE**



www.coastercompany.com

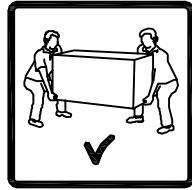
ASSEMBLY TIPS:

1. Remove hardware from box and sort by size.
2. Please check to see that all hardware and parts are present prior to start of assembly.
3. Please follow attached instructions in the same sequence as numbered to assure fast & easy assembly.



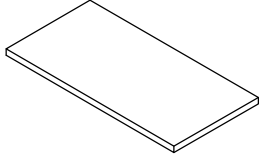
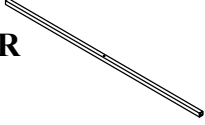
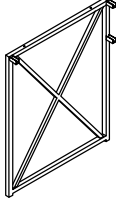
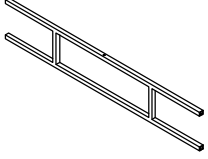
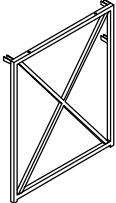
Warning!

1. Don't attempt to repair or modify parts that are broken or defective. Please contact the store immediately.
2. This product is for home use only and not intended for commercial establishment.






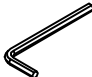
ASSEMBLY TIME : 30 MINUTES

PARTS IDENTIFICATION

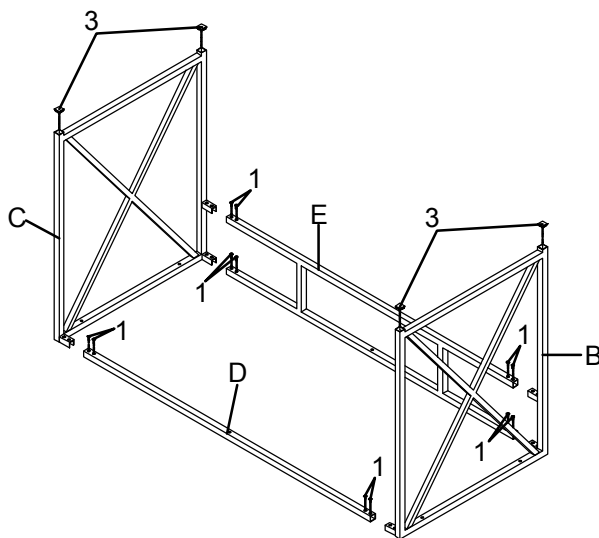
<p>A. TOP</p>  <p>1PC</p>	<p>D. FRONT CROSSBAR</p>  <p>1PC</p>
<p>B. LEFT FRAME</p>  <p>1PC</p>	<p>E. BACK FRAME</p>  <p>1PC</p>
<p>C. RIGHT FRAME</p>  <p>1PC</p>	

HARDWARE IDENTIFICATION

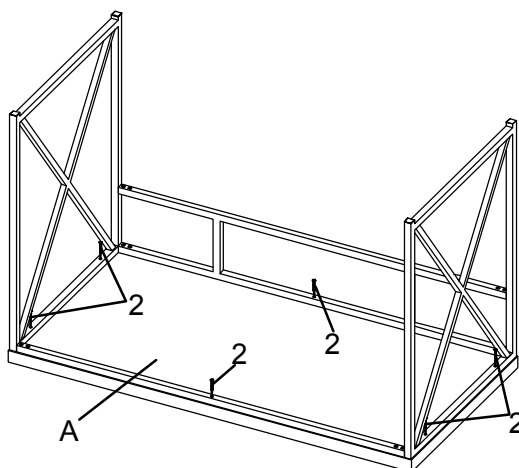
Z	DESCRIPTION	FIGURE	Q'TY
1	SHORT BOLT (ϕ 1/4 x 12mm SR)		12PCS
2	LONG BOLT (ϕ 1/4 x 32mm SR)		6PCS

3	CAP (20 x 20mm BLK)		4PCS
4	ALLEN WRENCH (4mm)		1PC

STEP 1



STEP 2



FINISH

