



**ASSEMBLY INSTRUCTION
COASTER FINE FURNITURE**



603363PP

POWER GLIDER RECLINER & POWER HEADREST

REVISION 0: 04/03/2019

PAGE 1 OF 3

COASTERFURNITURE.COM

ITEM: **603363PP**



ASSEMBLY INSTRUCTIONS

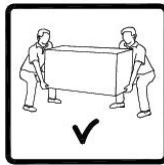
ASSEMBLY TIPS:

- 1.Remove hardware from box and sort by size.
- 2.Please check to see that all hardware and parts are present prior to start of assembly.
- 3.Please follow attached instruction in the same sequence as numbered to assure fast & easy assembly.



Warning!


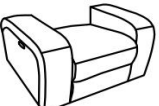

- 1.Don't attempt to repair or modify parts that are broken or defective. Please contact the store immediately.
- 2.This product is for home use only and not intended for commercial establishment.



ASSEMBLY TIME

10 MINUTES

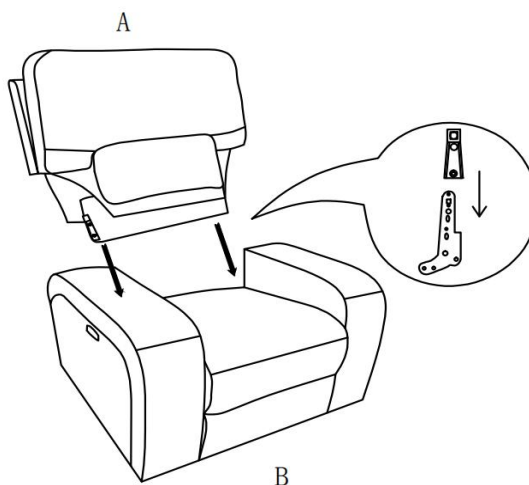
PARTS IDENTIFICATION

	PART NAME	FIGURE	QTY
A	BACK		1PC
B	BASE		1PC
C	POWER CABLE		1PC

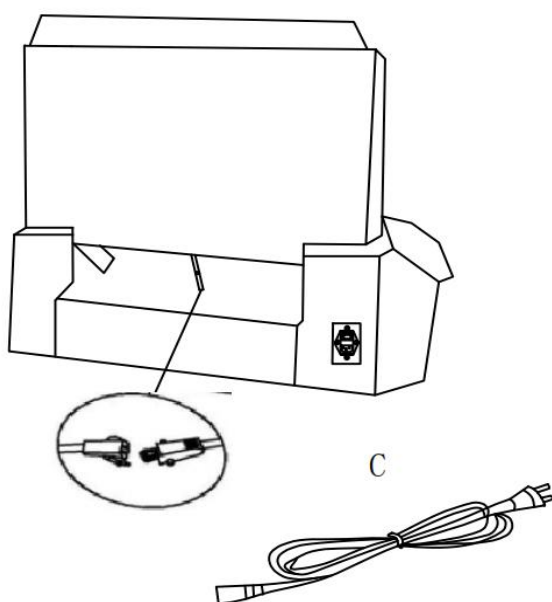
ITEM: **603363PP**
ASSEMBLY INSTRUCTIONS



STEP 1



STEP 2



STEP 3

