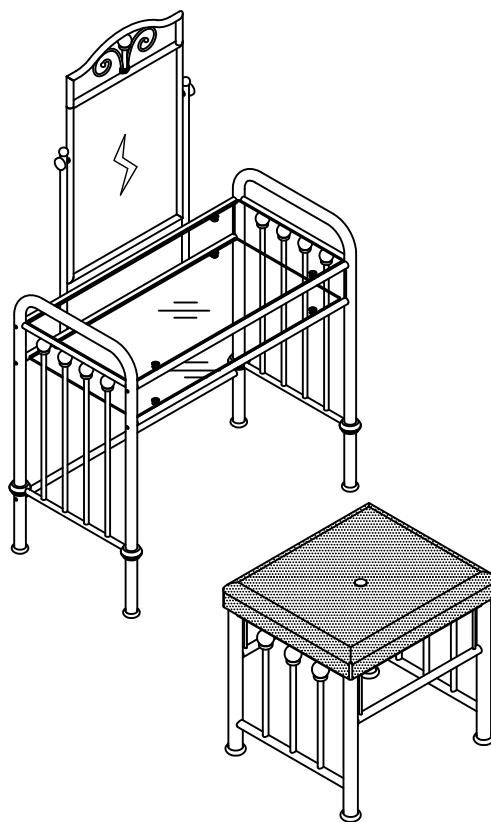


**ASSEMBLY INSTRUCTIONS**  
**COASTER FINE FURNITURE**



*Fine Furniture for every stage of life*

**301397**  
**2PC VANITY SET**

ITEM:301397



## ASSEMBLY INSTRUCTIONS

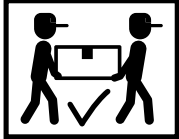
### ASSEMBLY TIPS:

1. Remove hardware from box and sort by size.
2. Please check to see that all hardware and parts are present prior to start of assembly.
3. Please follow attached instructions in the same sequence as numbered to assure fast & easy assembly.



### WARNING !

1. Don't attempt to repair or modify parts that are broken or defective. Please contact the store immediately.
2. This product is for home use only and not intended for commercial establishment.



ASSEMBLY TIME 40 MINUTES





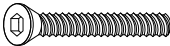

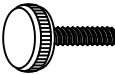

## PARTS IDENTIFICATION

A VANITY SIDE FRAME		2PCS	G TOP GLASS		1PC
B VANITY BACK APRON		1PC	H SHELF GLASS		1PC
C VANITY FRONT APRON		1PC	I STOOL SIDE FRAME		2PCS
D VANITY MIRROR POST		2PCS	J STOOL SIDE APRON		2PCS
E MIRROR		1PC	K CUSHION		1PC
F VANITY BOTTOM BACK CROSSBAR		1PC			

### NOTE:

Phillips head screw driver is required in the assembly process; however, manufacturer does not provide this item.

## HARDWARE IDENTIFICATION

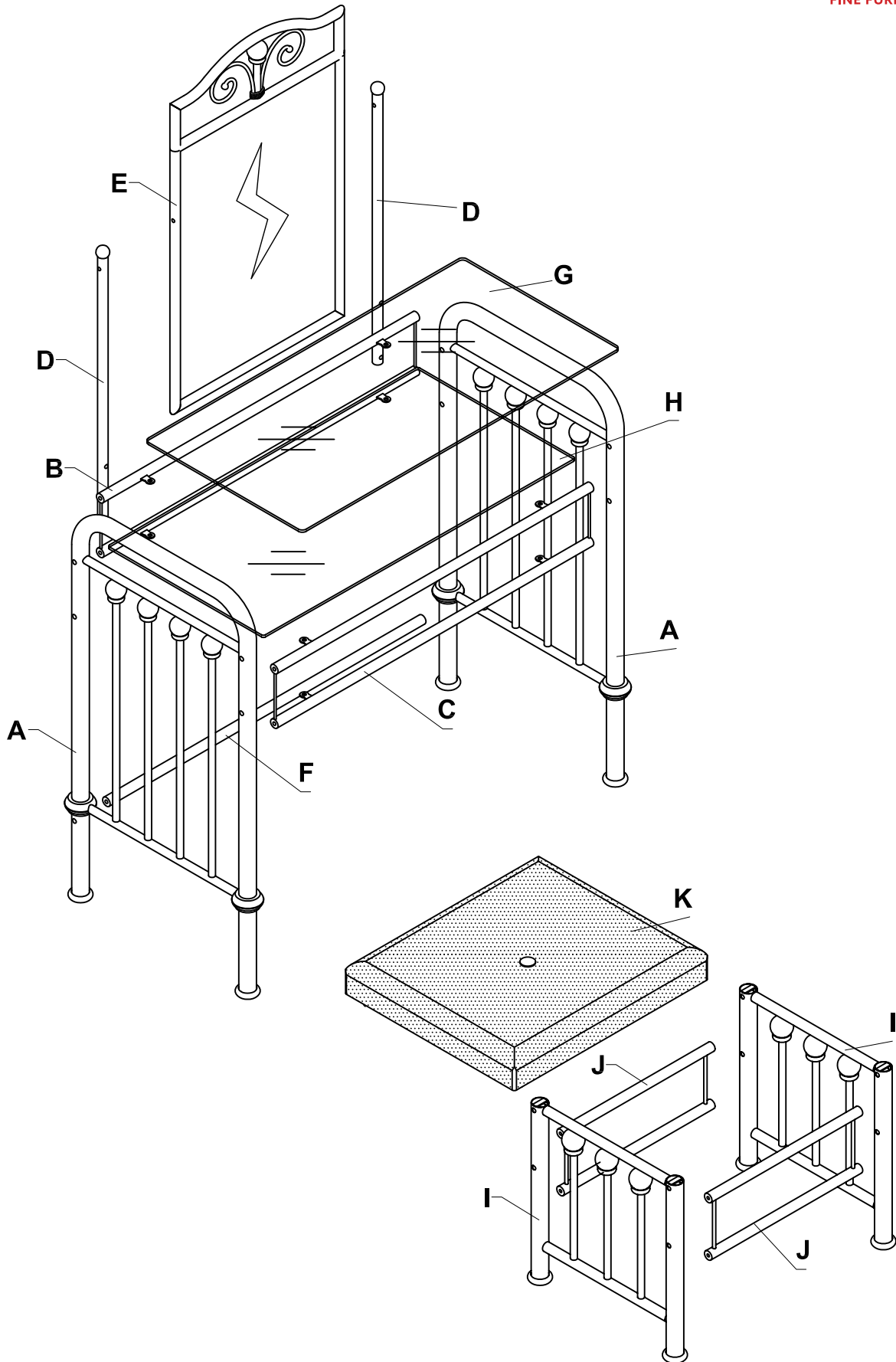
1	<b>SCREW</b> (M4x15MM - BLK)		4PCS	5	<b>WASHER</b> ( $\phi$ 17mm - BLK)		2PCS
2	<b>BOLT</b> (1/4"x1-1/4" - BLK)		4PCS	6	<b>SUCTION CUP</b>		8PCS
3	<b>BOLT</b> (1/4"x2" - BLK)		18PCS	7	<b>WASHER</b> ( $\phi$ 12mm - BLK)		4PCS
4	<b>ADJUSTABLE LEVELER</b>		2PCS	8	<b>ALLEN WRENCH</b> (4x4mm - BLK)		1PC

**NOTE:**

Phillips head screw driver is required in the assembly process; however, manufacturer does not provide this item.

ITEM: 301397

**COASTER**  
FINE FURNITURE



ITEM: **301397**



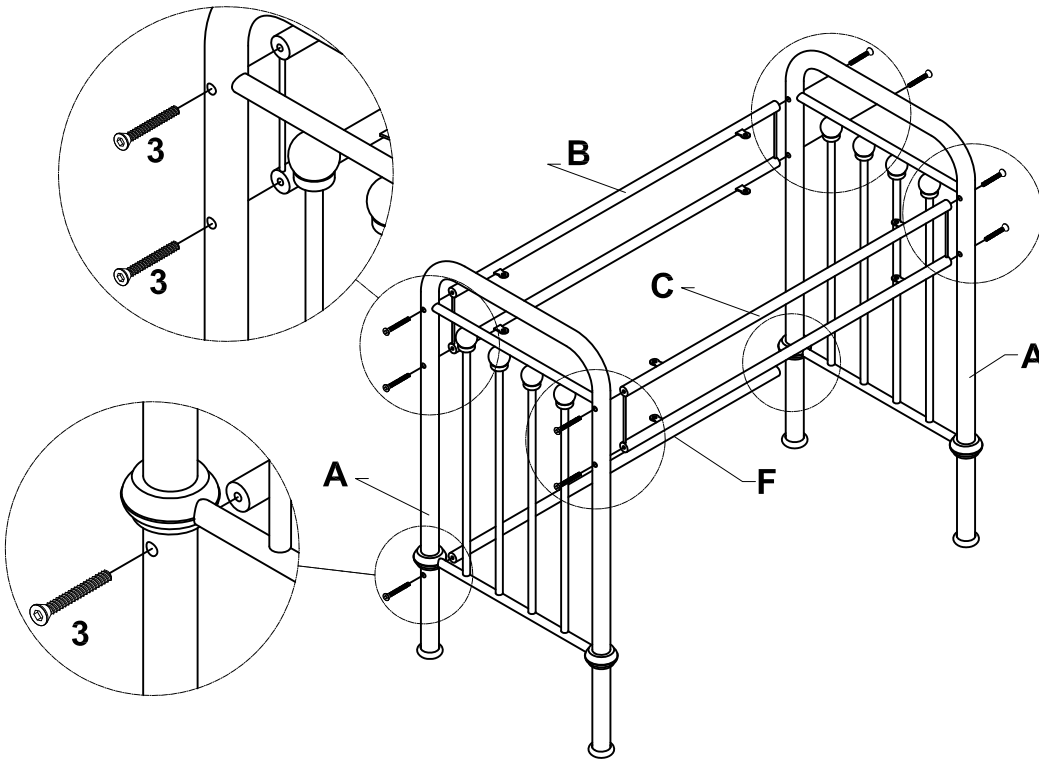
# ASSEMBLY INSTRUCTIONS

## STEP 1:

### ASSEMBLY

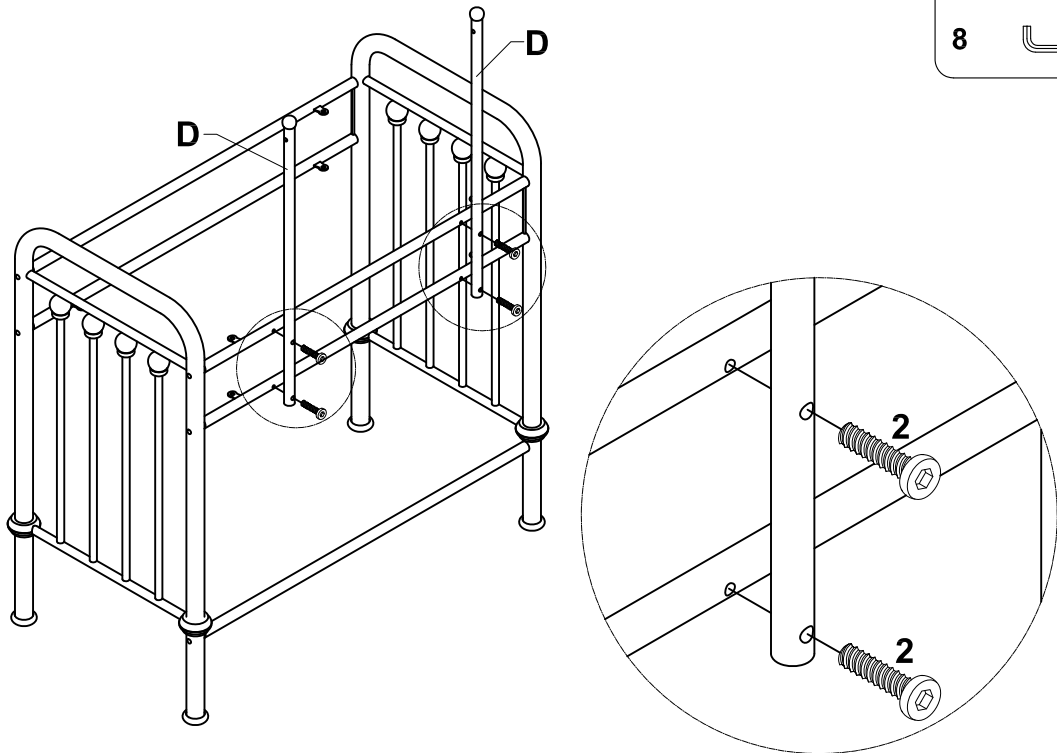
Do not fully tighten all bolts until assembly is complete.  
This will help all parts to assemble properly.

- 3 10PCS
- 8



## STEP 2:

- 2 4PCS
- 8





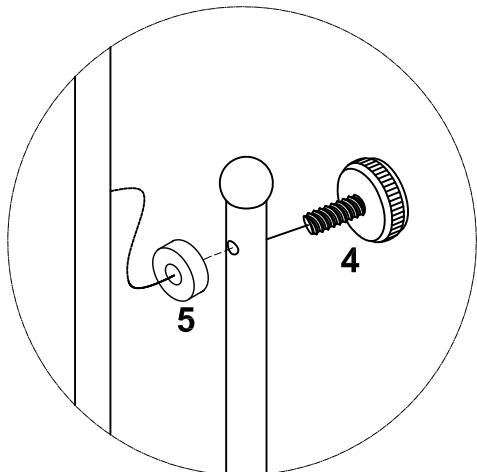
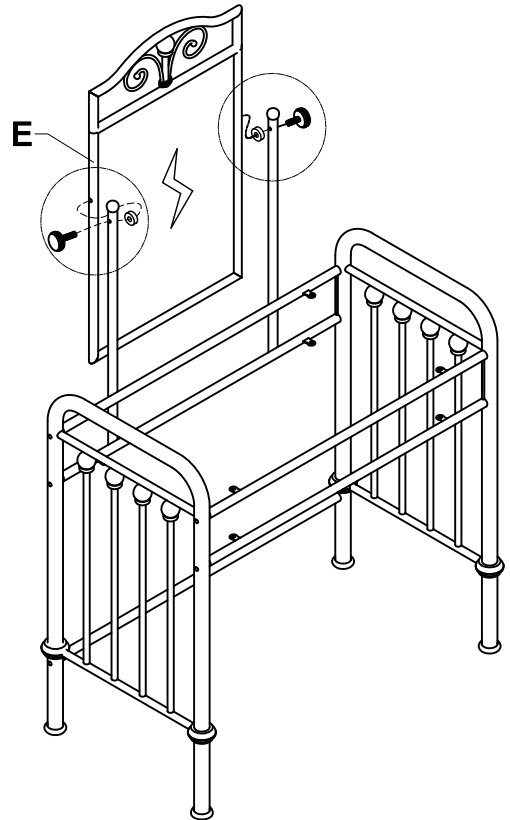
ITEM: **301397**

**ASSEMBLY INSTRUCTIONS**

**STEP 3:**

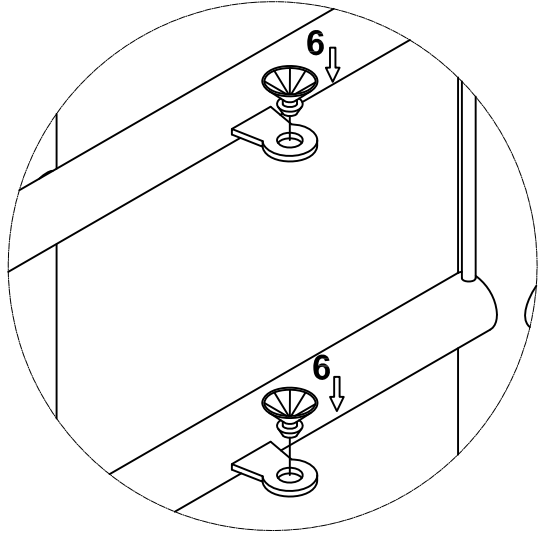
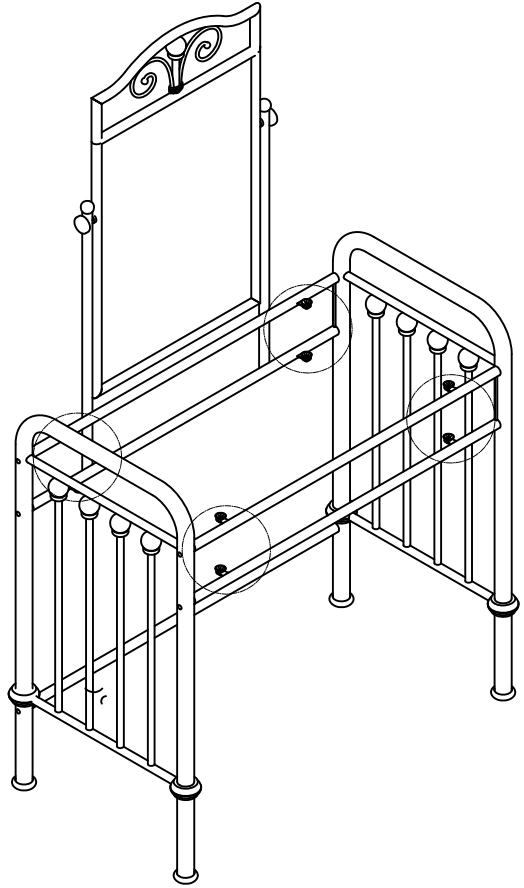


- 4  2PCS
- 5  2PCS



**STEP 4:**

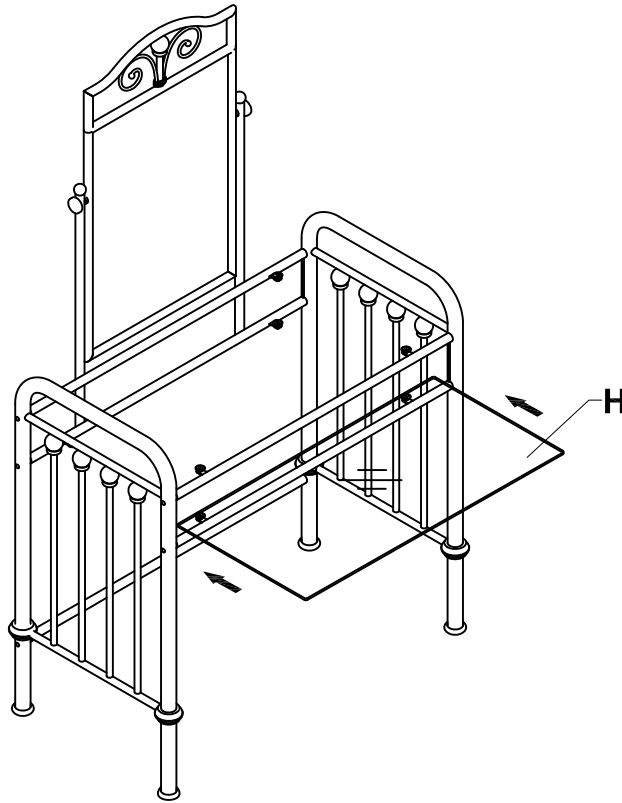
- 6  8PCS



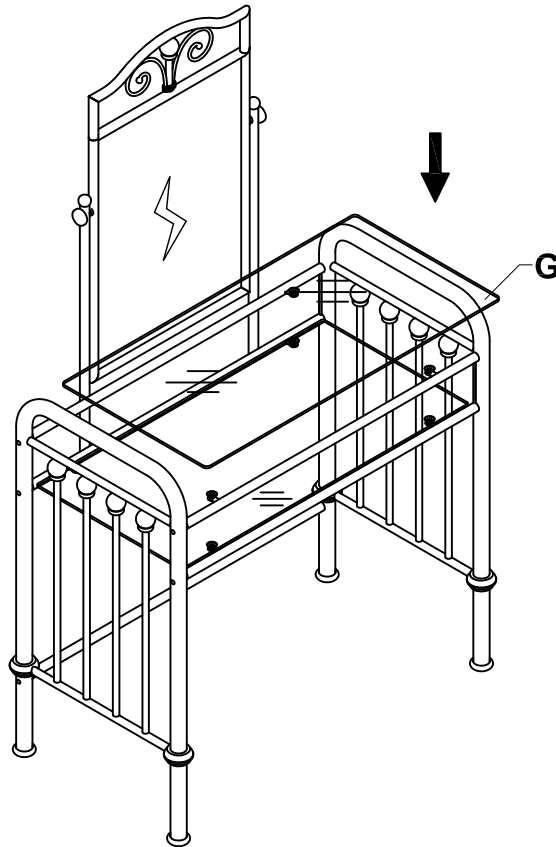
ITEM: **301397**

**ASSEMBLY INSTRUCTIONS**

**STEP 5:**



**STEP 6:**



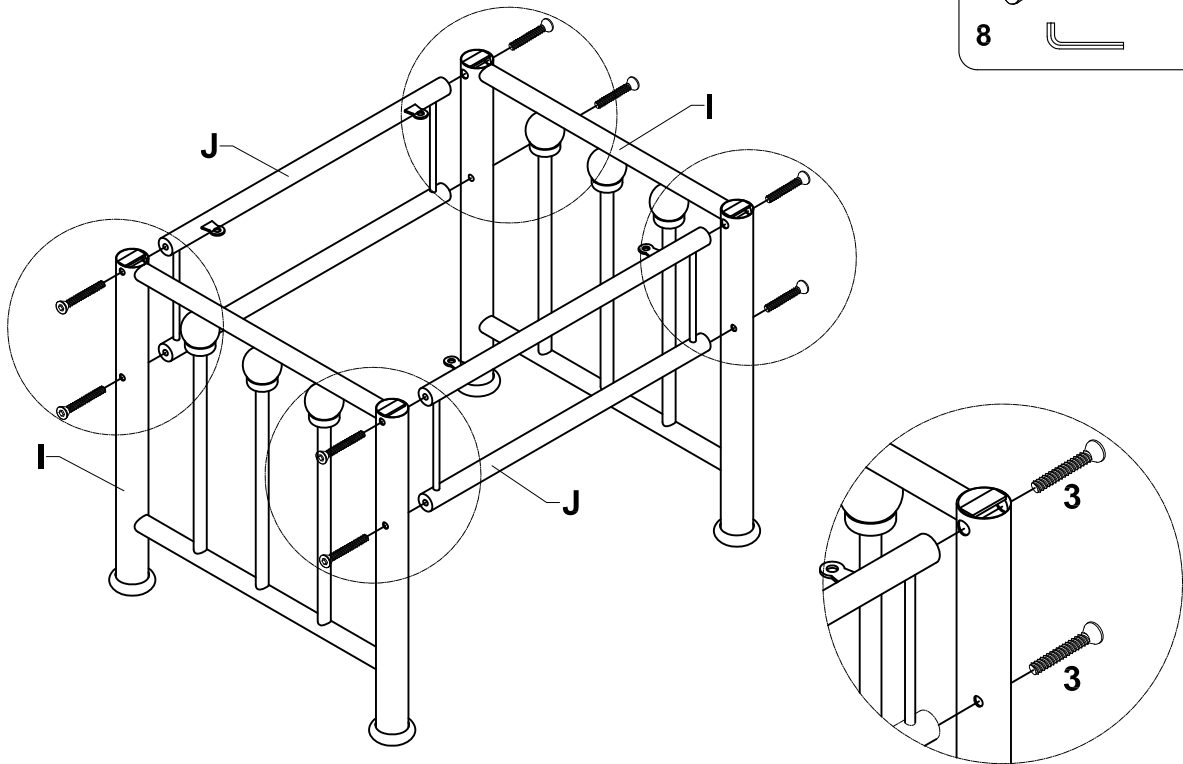
ITEM: **301397**

**ASSEMBLY INSTRUCTIONS**

**STEP 7:**

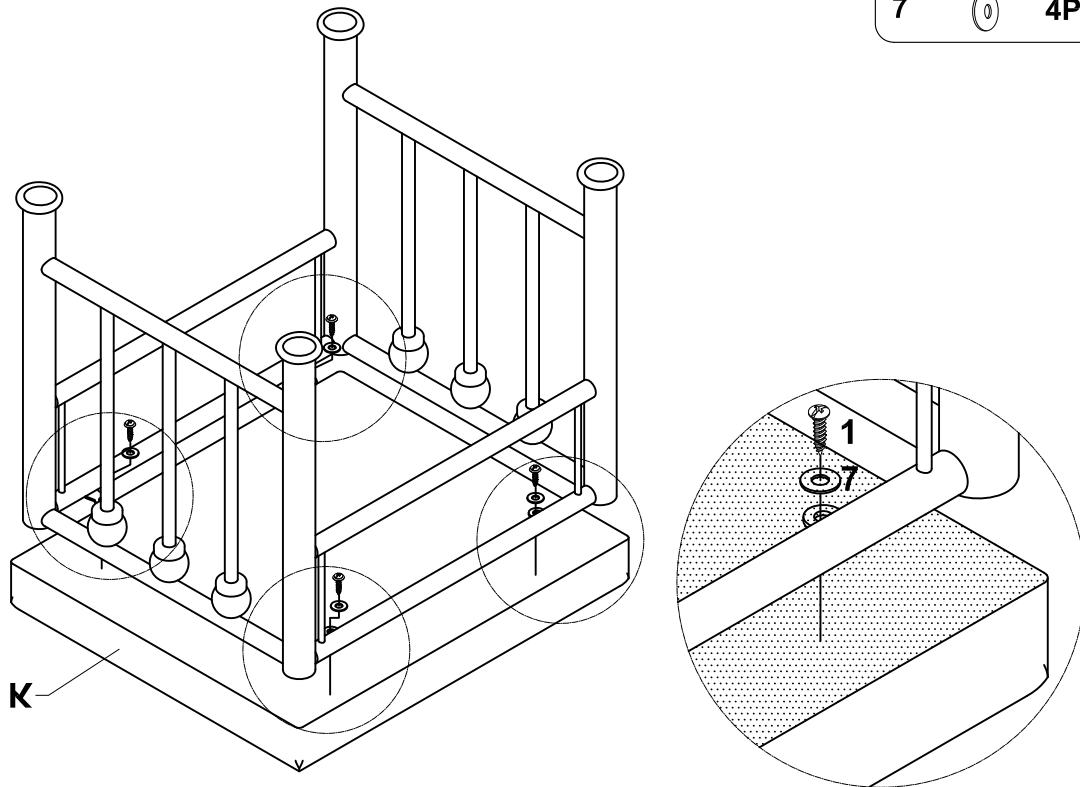


- 3 8PCS
- 8



**STEP 8:**

- 1 4PCS
- 7 4PCS





ITEM: **301397**

**ASSEMBLY INSTRUCTIONS**

**STEP 9:**

