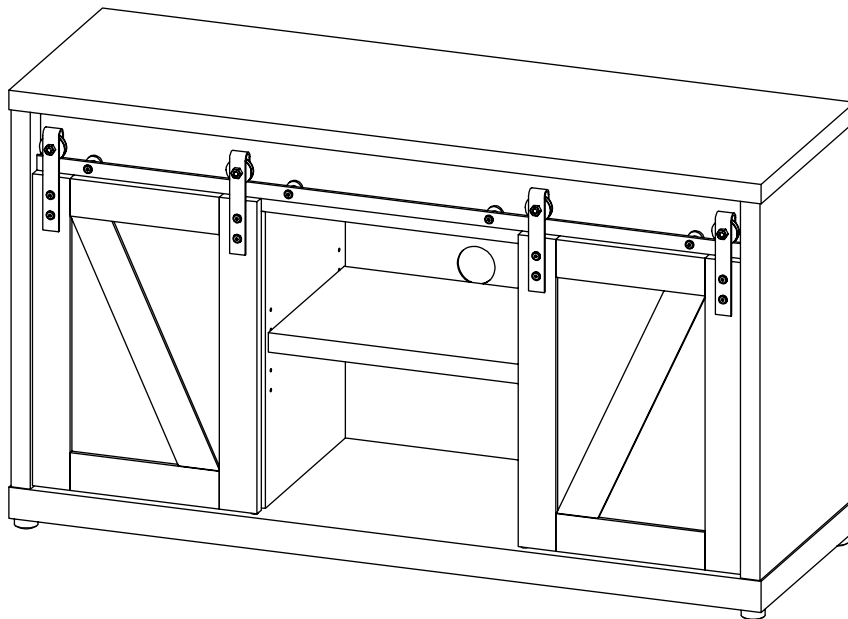


**ASSEMBLY INSTRUCTIONS**  
**COASTER FINE FURNITURE**



*Fine Furniture for every stage of life*

**723261**  
**TV CONSOLE**

# ITEM: 723261



## ASSEMBLY INSTRUCTIONS

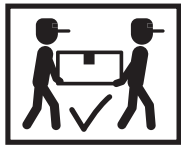
### ASSEMBLY TIPS:

1. Remove hardware from box and sort by size.
2. Please check to see that all hardware and parts are present prior to start of assembly.
3. Please follow attached instructions in the same sequence as numbered to assure fast & easy assembly.



### WARNING!

1. Don't attempt to repair or modify parts that are broken or defective. Please contact the store immediately.
2. This product is for home use only and not intended for commercial establishments.



ASSEMBLY TIME

40 MINUTES

MAX TV SIZE: 52"

## PARTS IDENTIFICATION

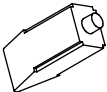
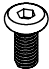


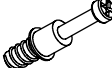
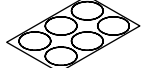

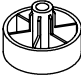

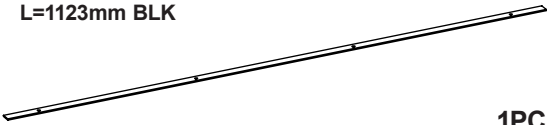
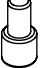
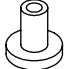
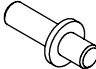
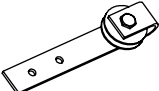

A	LEFT SIDE PANEL		1PC	H	MIDDLE BACK PANEL		1PC
B	RIGHT SIDE PANEL		1PC	I	LARGE ADJUSTABLE SHELF		1PC
C	DIVIDER PANEL		2PCS	J	SMALL ADJUSTABLE SHELF		2PCS
D	BOTTOM PANEL		1PC	K	LEFT DOOR		1PC
E	TOP PANEL		1PC	L	RIGHT DOOR		1PC
F	CROSS PANEL		1PC				
G	BACK PANEL		2PCS				

### NOTE:

Phillips head screw driver is required in the assembly process; however, manufacturer does not provide this item.

# ITEM: 723261

## HARDWARE IDENTIFICATION

Z							
NO	DESCRIPTION	FIGURE	Q'TY	NO	DESCRIPTION	FIGURE	Q'TY
1	GLUE 40g		1PC	9	SHORT BOLT M6x20mm BLK		8PCS
2	WOODEN DOWEL ø8x30mm		22PCS	10	ALLEN WRENCH 4mm SR		1PC
3	CAM BOLT ø7x35.5mm SR		13PCS	11	STICKER ø20mm		3PCS
4	CAM LOCK ø15x12mm SR		13PCS	12	FOOT ø35xH19mm		6PCS
5	BOLT ø9.5x55mm SR		8PCS	13	TRACK BAR L=1123mm BLK		1PC
6	PIN FOR ADJUSTABLE SHELF ø4.9x8mm SR		12PCS	14	TRACK SPACER ø25x25mm BLK		4PCS
7	PIN FOR DOOR ø5.8x25mm BLK		2PCS	15	ROLLER ø40.5x160mm BLK		4PCS
8	LONG BOLT M6x44mm BLK		4PCS				

Z12,Z13,Z14,Z15 not included in blister packaging.

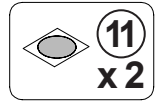
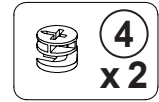
### NOTE:

Phillips head screw driver is required in the assembly process; however, manufacturer does not provide this item.

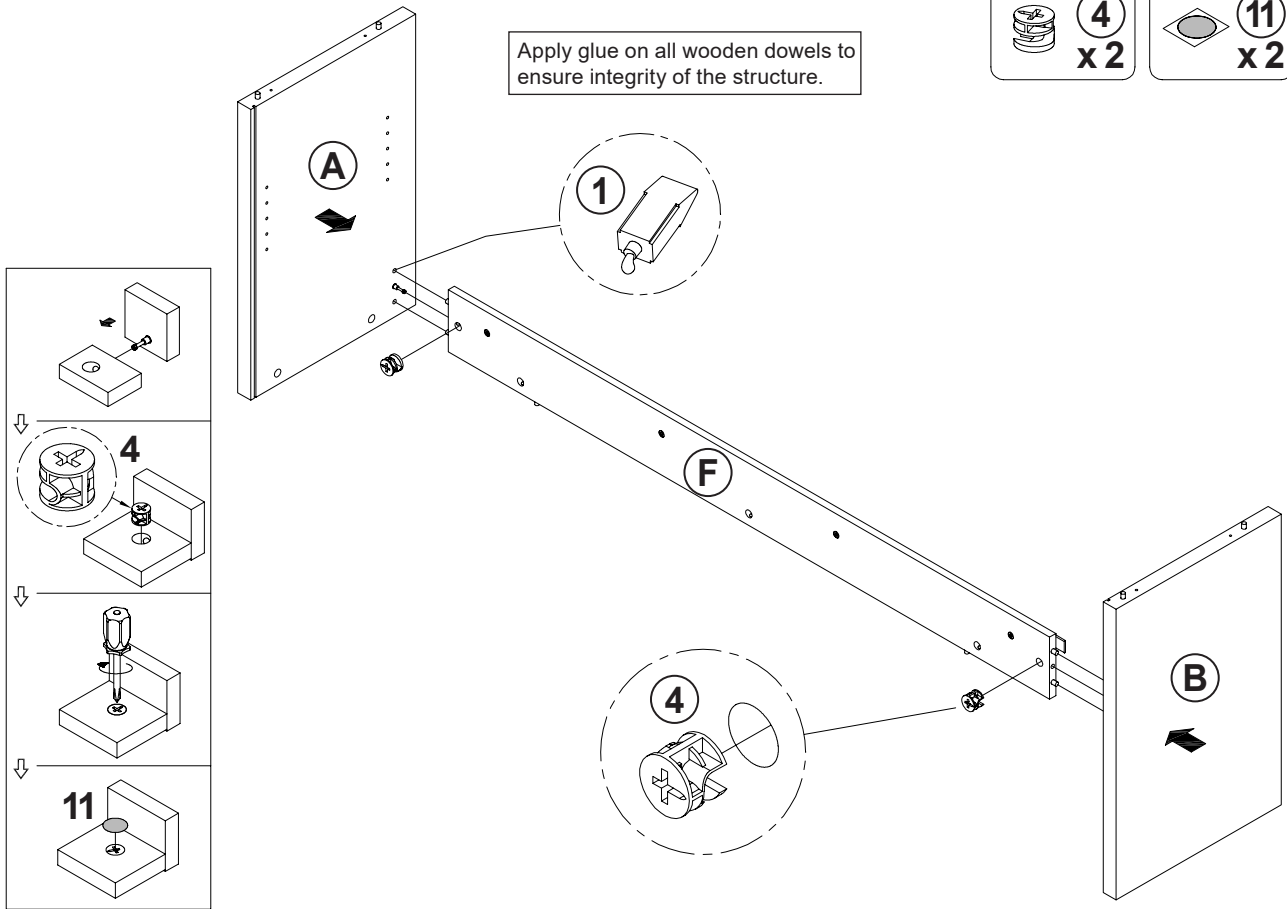


ITEM: 723261

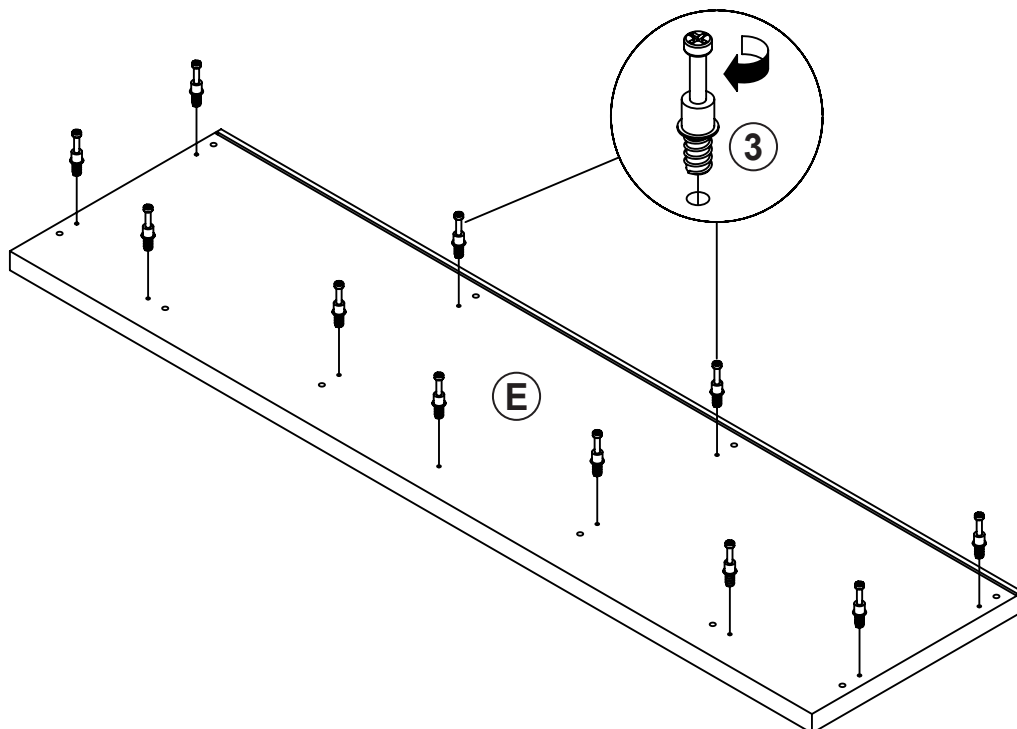
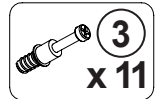
**STEP 3**



Apply glue on all wooden dowels to ensure integrity of the structure.



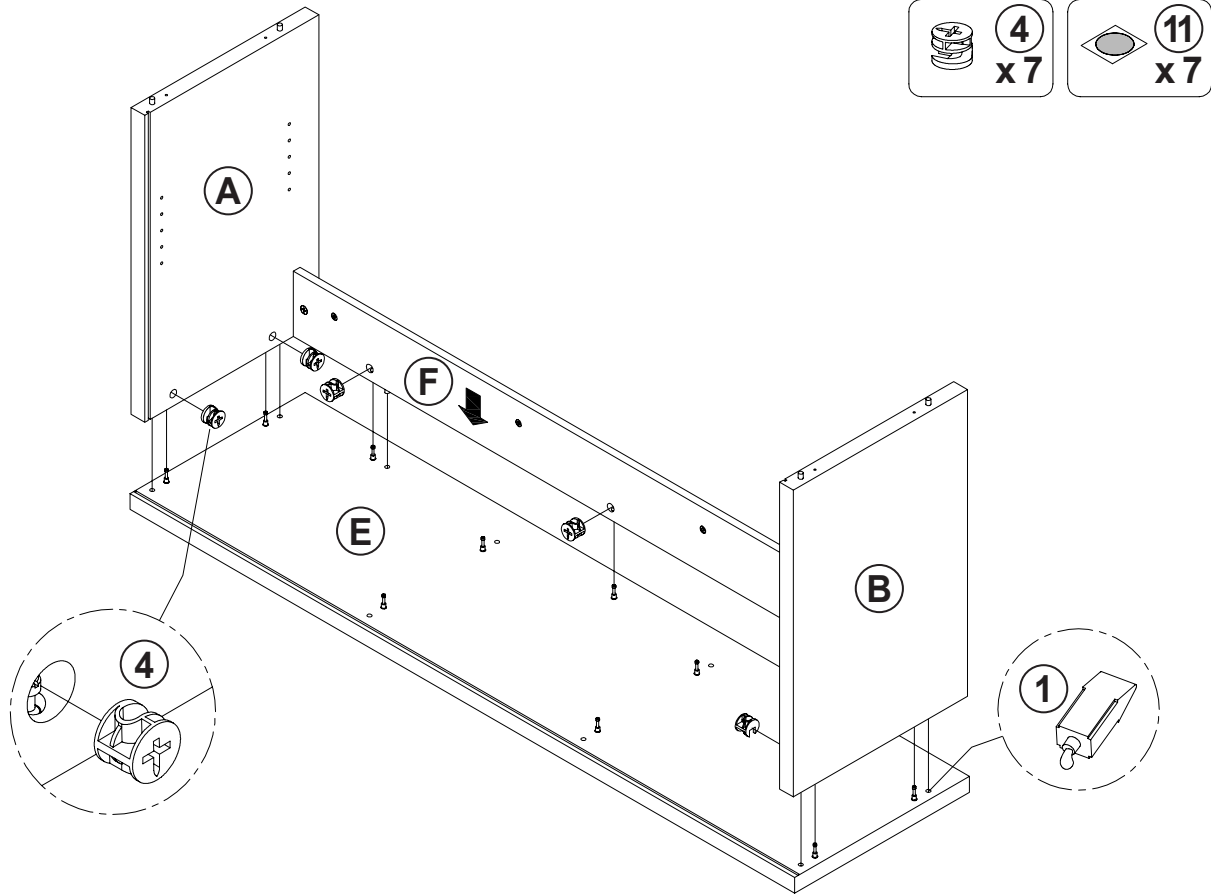
**STEP 4**



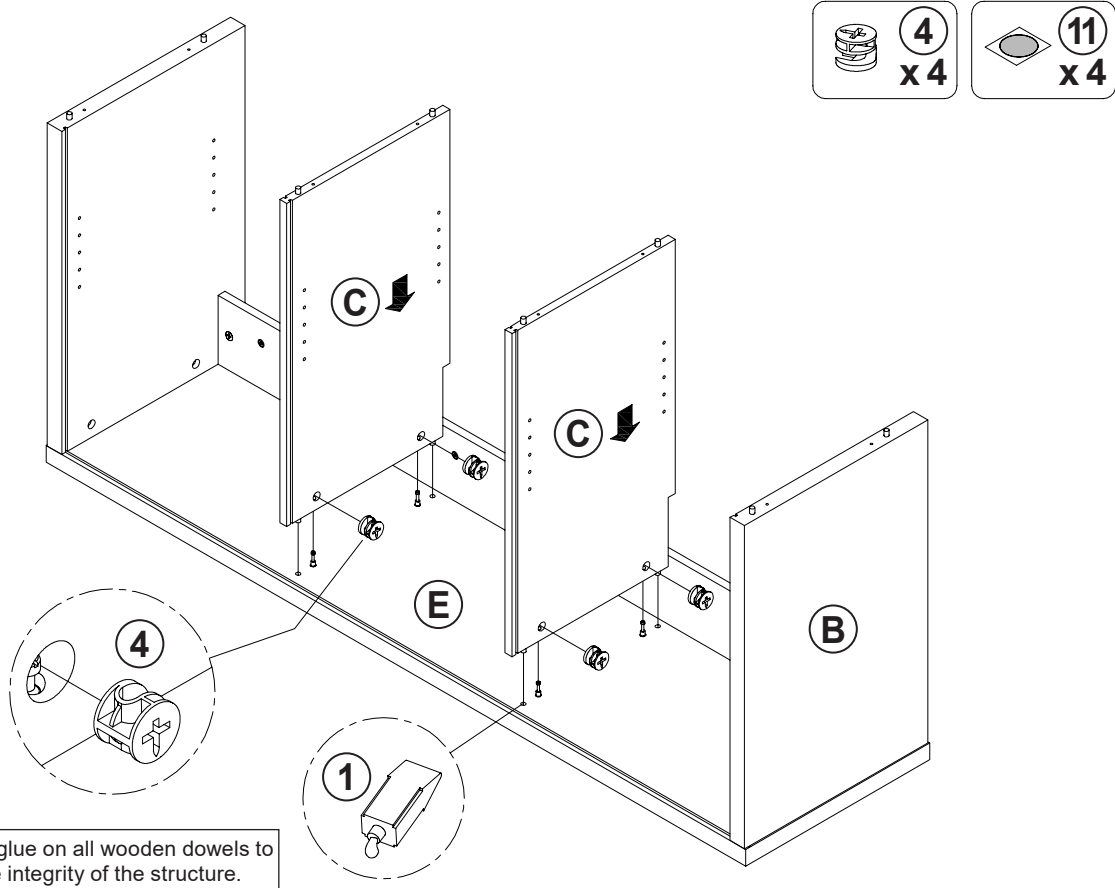
ITEM: 723261

**COASTER**  
FINE FURNITURE

**STEP 5**

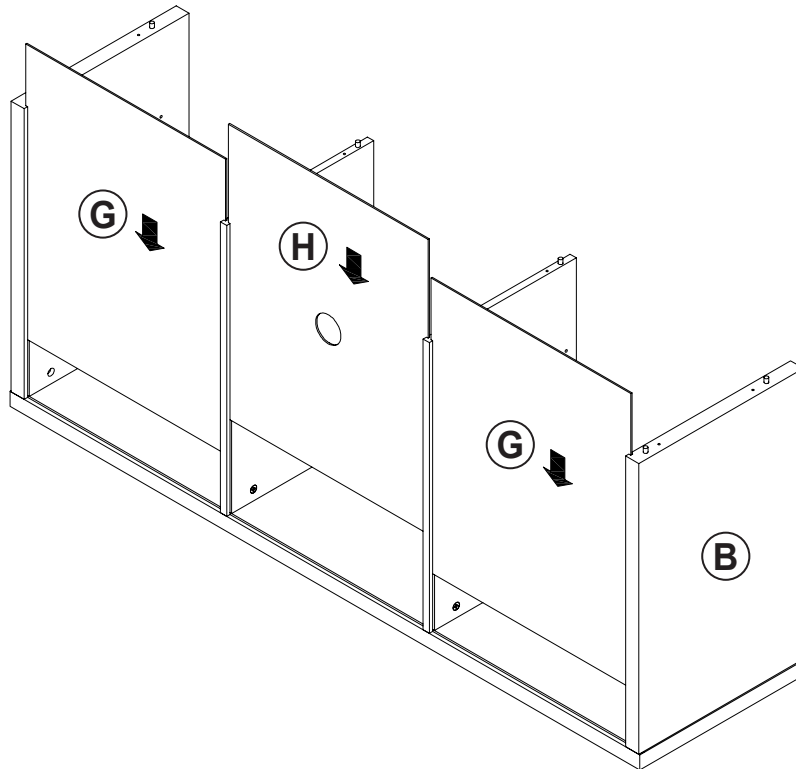


**STEP 6**

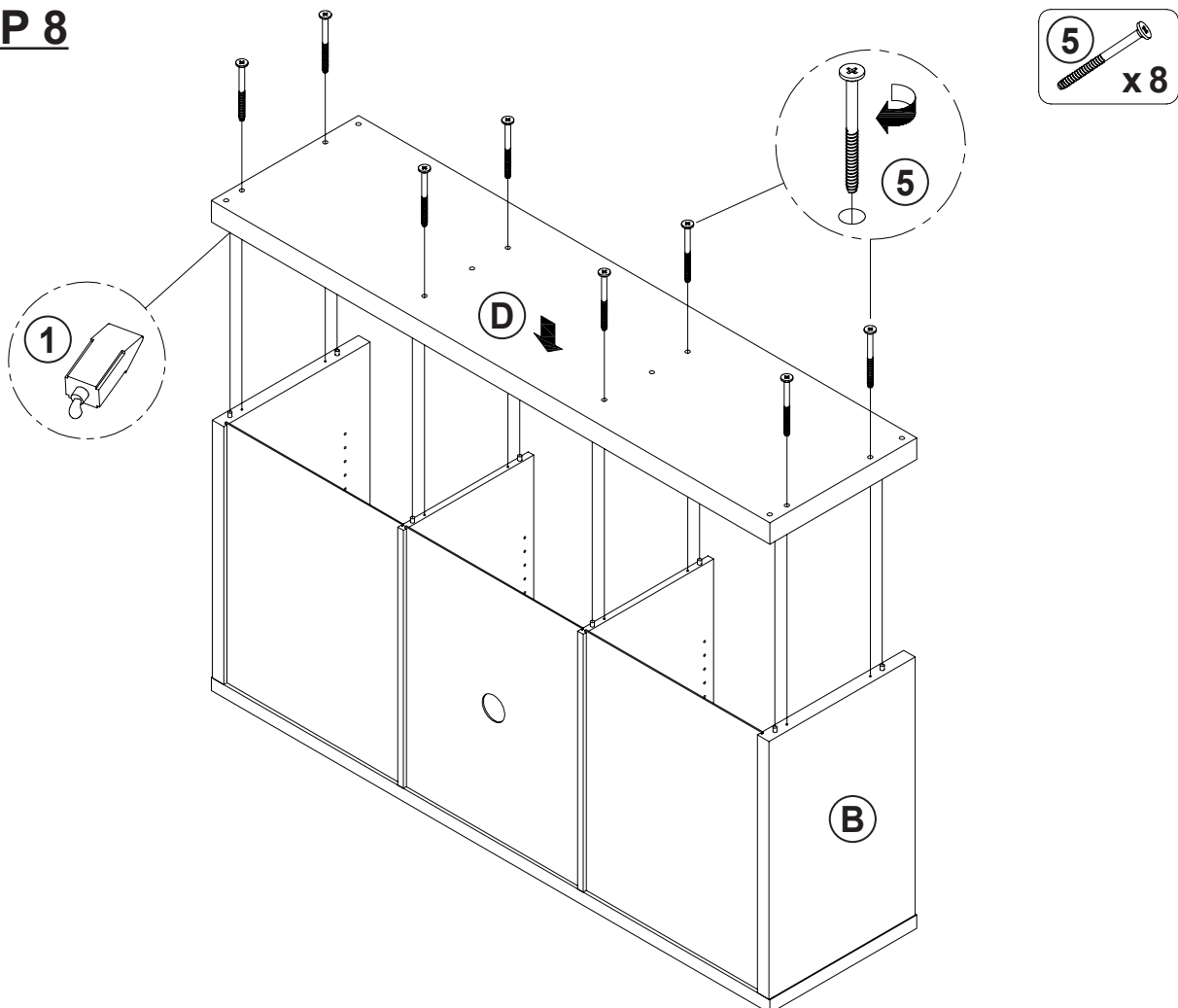


ITEM: 723261

**STEP 7**



**STEP 8**

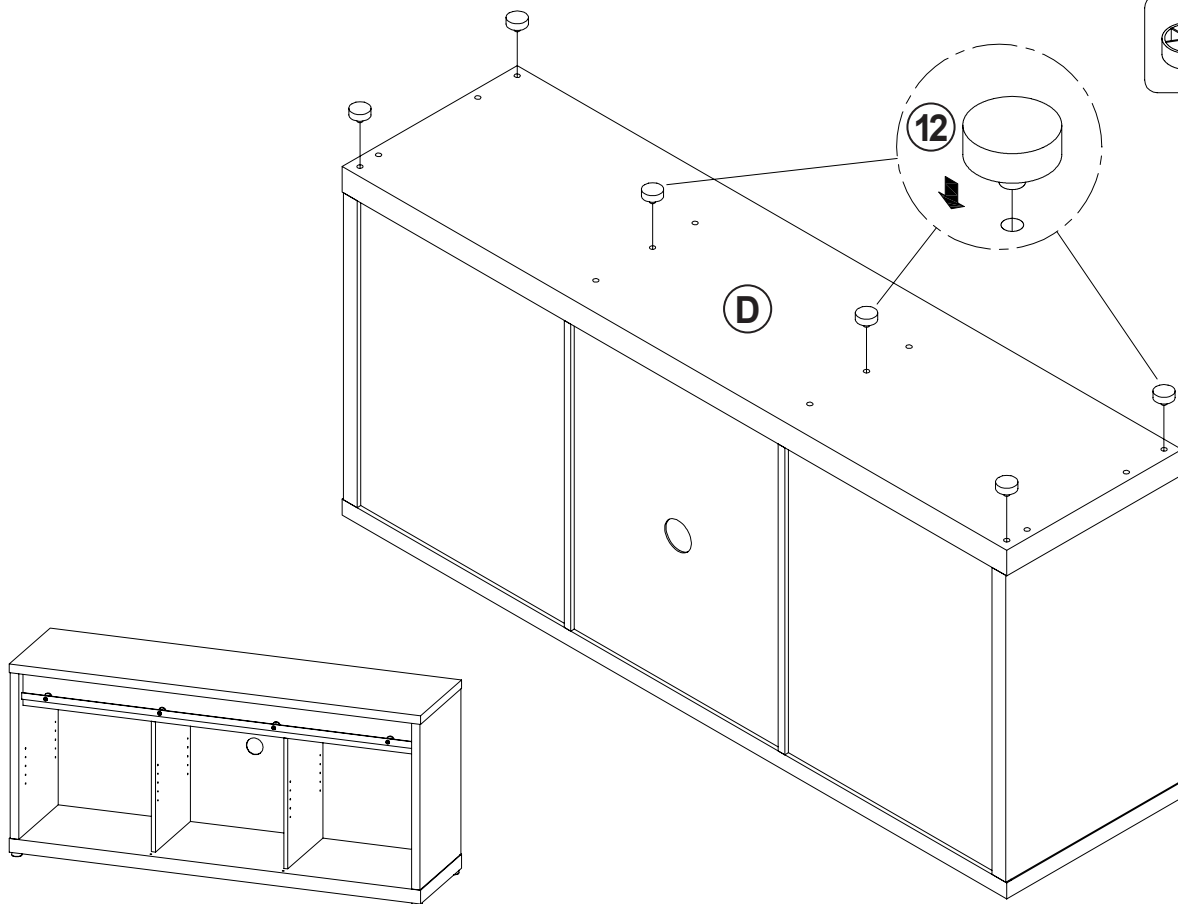


ITEM: 723261

**COASTER**  
FINE FURNITURE

**STEP 9**

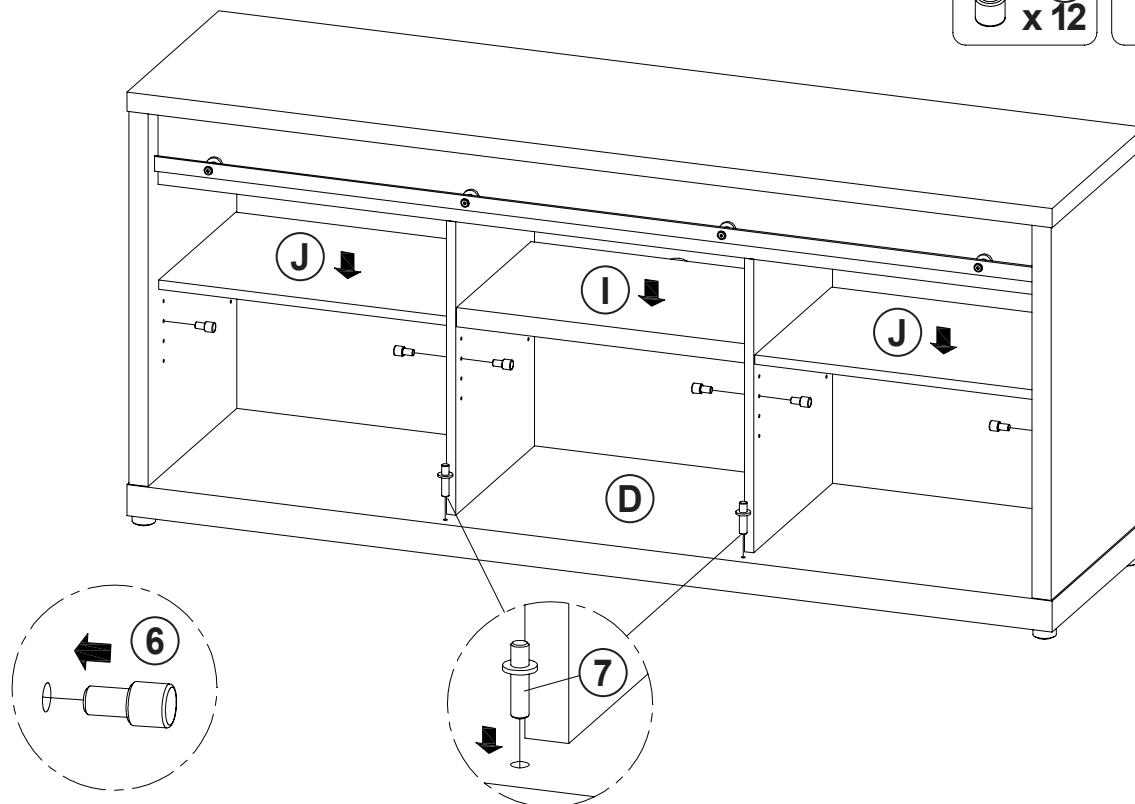
12  
x 6



**STEP 10**

6  
x 12

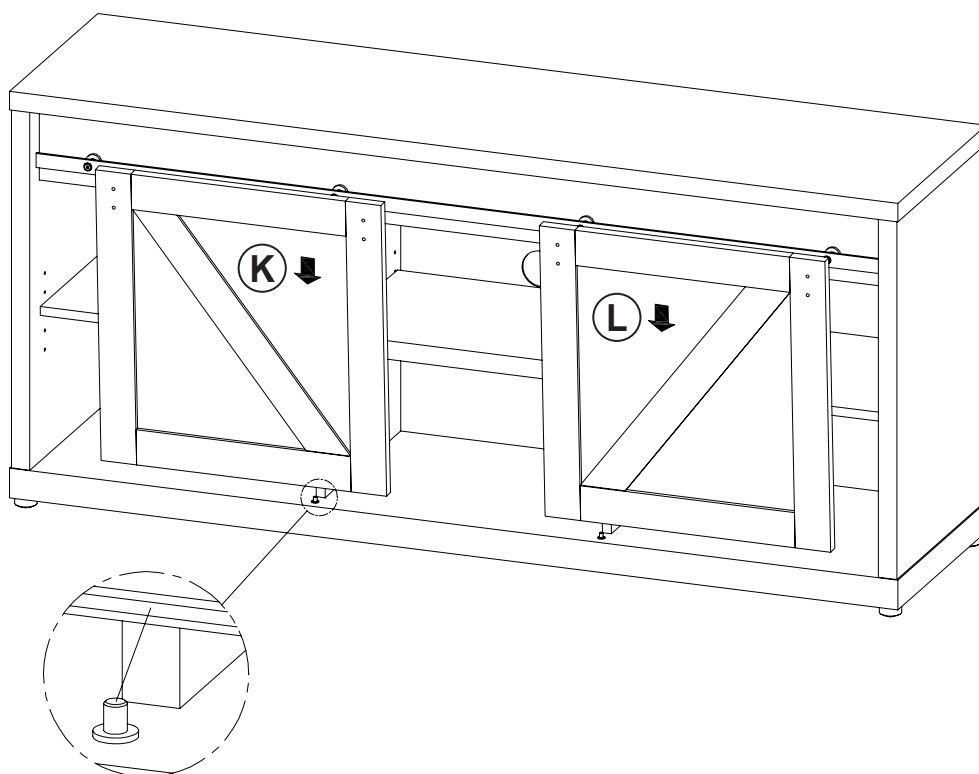
7  
x 2



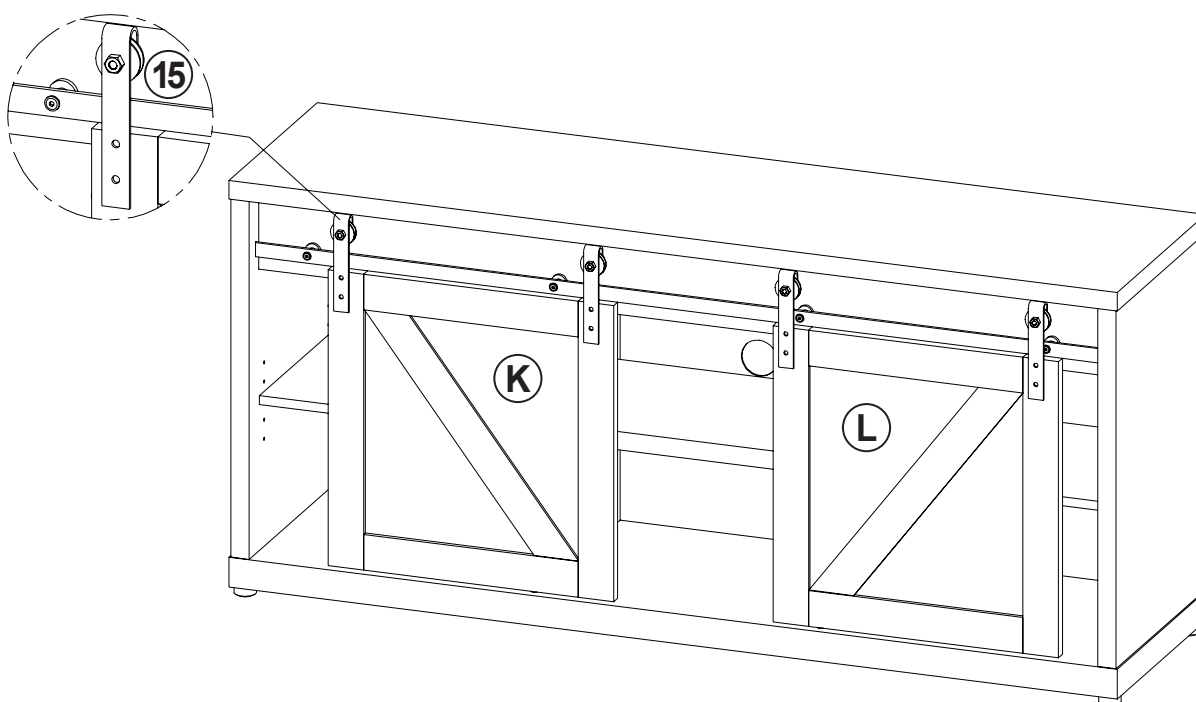
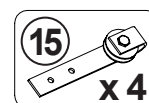


ITEM: 723261

**STEP 11**



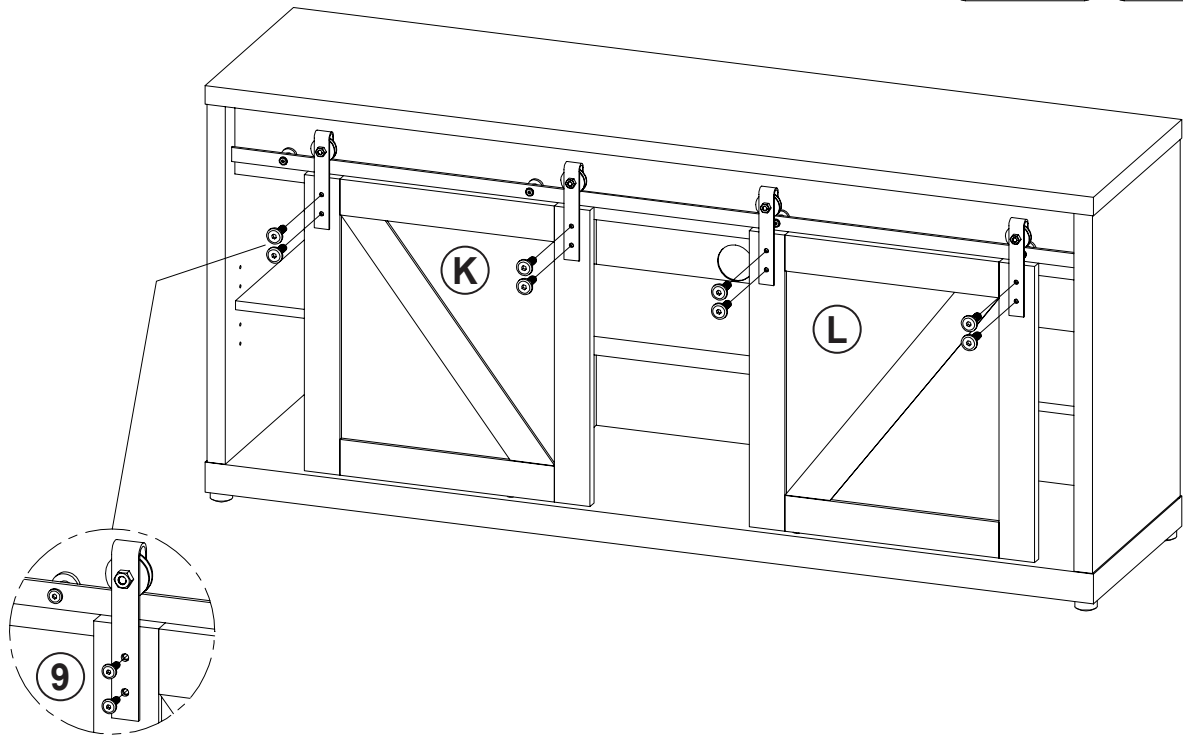
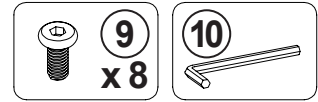
**STEP 12**



ITEM: 723261

**COASTER**  
FINE FURNITURE

**STEP 13**



**STEP 14**  
**COMPLETE**

