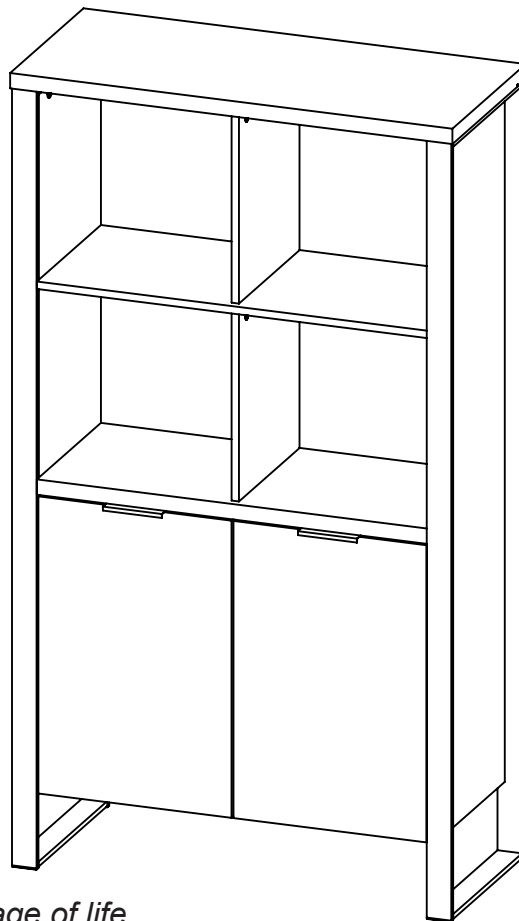


**ASSEMBLY INSTRUCTIONS**  
**COASTER FINE FURNITURE**



*Fine Furniture for every stage of life*

**803374**  
**BOOKCASE**

ITEM:803374

## ASSEMBLY INSTRUCTIONS

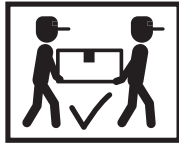
### ASSEMBLY TIPS:

1. Remove hardware from box and sort by size.
2. Please check to see that all hardware and parts are present prior to start of assembly.
3. Please follow attached instructions in the same sequence as numbered to assure fast & easy assembly.



### WARNING!

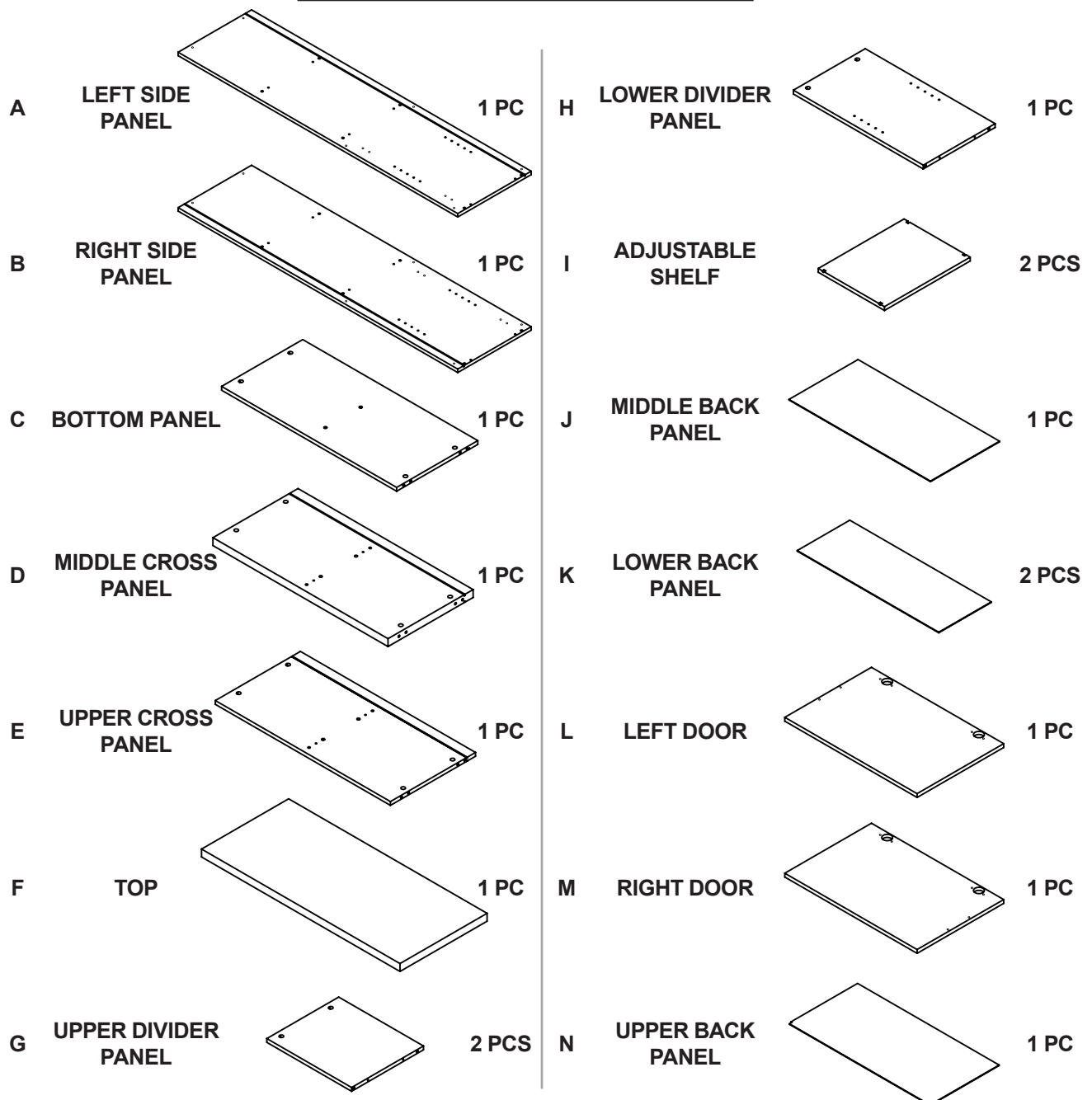
1. Don't attempt to repair or modify parts that are broken or defective. Please contact the store immediately.
2. This product is for home use only and not intended for commercial establishments.



ASSEMBLY TIME

40 MINUTES

## PARTS IDENTIFICATION

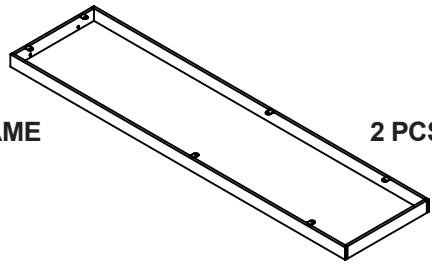


### NOTE:

Phillips head screw driver is required in the assembly process; however, manufacturer does not provide this item.

ITEM:803374

O LEG FRAME



2 PCS

Z

**HARDWARE IDENTIFICATION**

NO	DESCRIPTION	FIGURE	Q'TY	NO	DESCRIPTION	FIGURE	Q'TY
1	GLUE 40g		1 PC	10	HINGE SCREW Ø 4x15mm SR		16 PCS
2	WOODEN DOWEL Ø 8x30mm		20 PCS	11	WOODEN DOWEL Ø 8x50mm		2 PCS
3	CAM BOLT Ø 7x35.5mm SR		18 PCS	12	BOLT M6x28mm BLK		4 PCS
4	CAM LOCK Ø 15x12mm SR		18 PCS	13	ALLEN WRENCH 4mm SR		1 PC
5	SCREW Ø 4.5x42mm SR		6 PCS	14	FLOOR PROTECTOR 50x10mm		4 PCS
6	PIN Ø 4.9x8mm SR		8 PCS	15	STICKER Ø 20mm		3 PCS
7	HANDLE L=120mm BLK		2 PCS	16	FIXER		6 PCS
8	HANDLE SCREW Ø 4x15mm BLK		16 PCS	17	FIXER SCREW Ø 3x19mm SR		6 PCS
9	HINGE Ø 35mm SR		4 PCS	18	I BAR L=793mm		1 PC

Z7,Z9,Z18 not included in blister packaging.

**NOTE:**

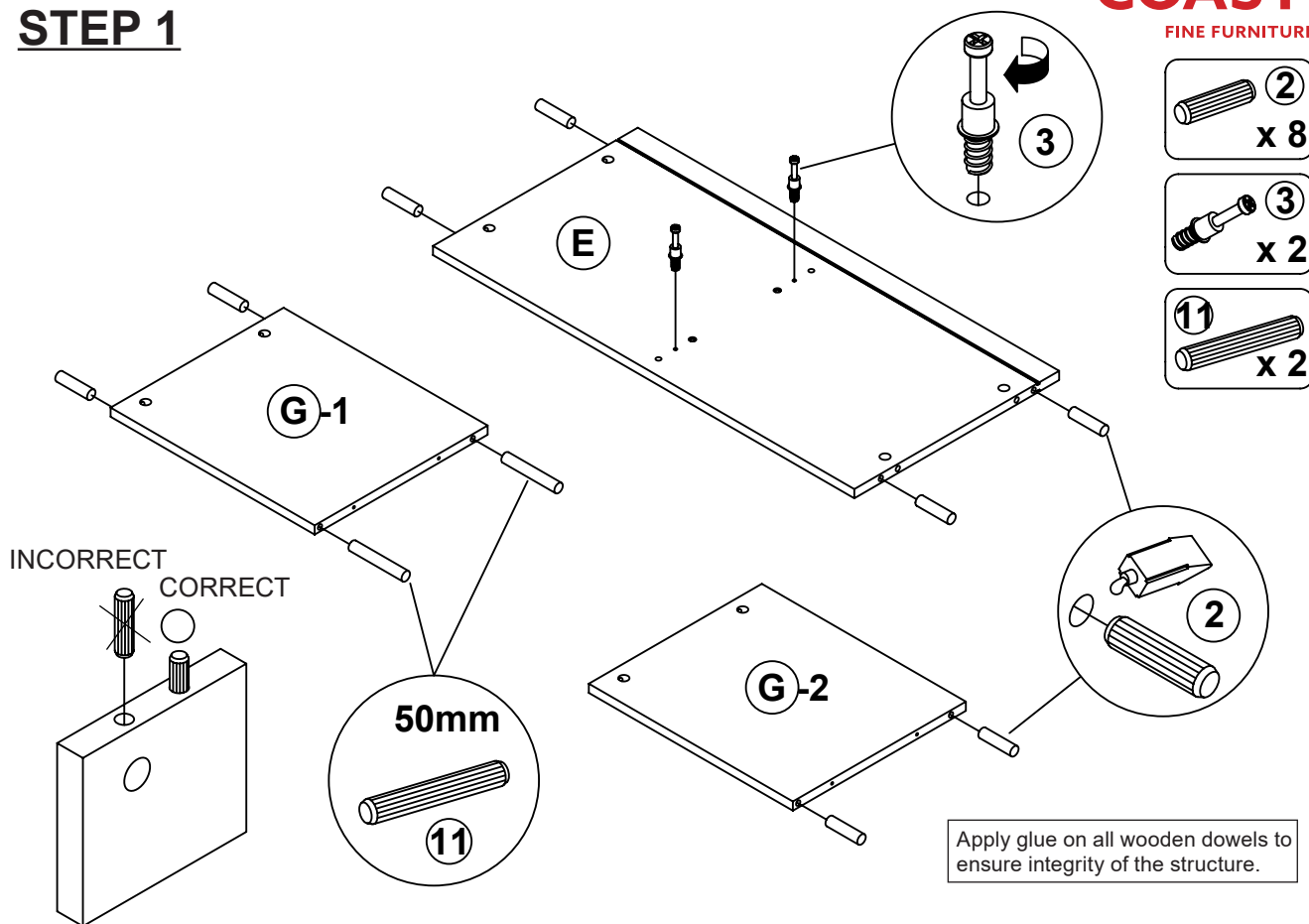
Phillips head screw driver is required in the assembly process; however, manufacturer does not provide this item.

ITEM: 803374

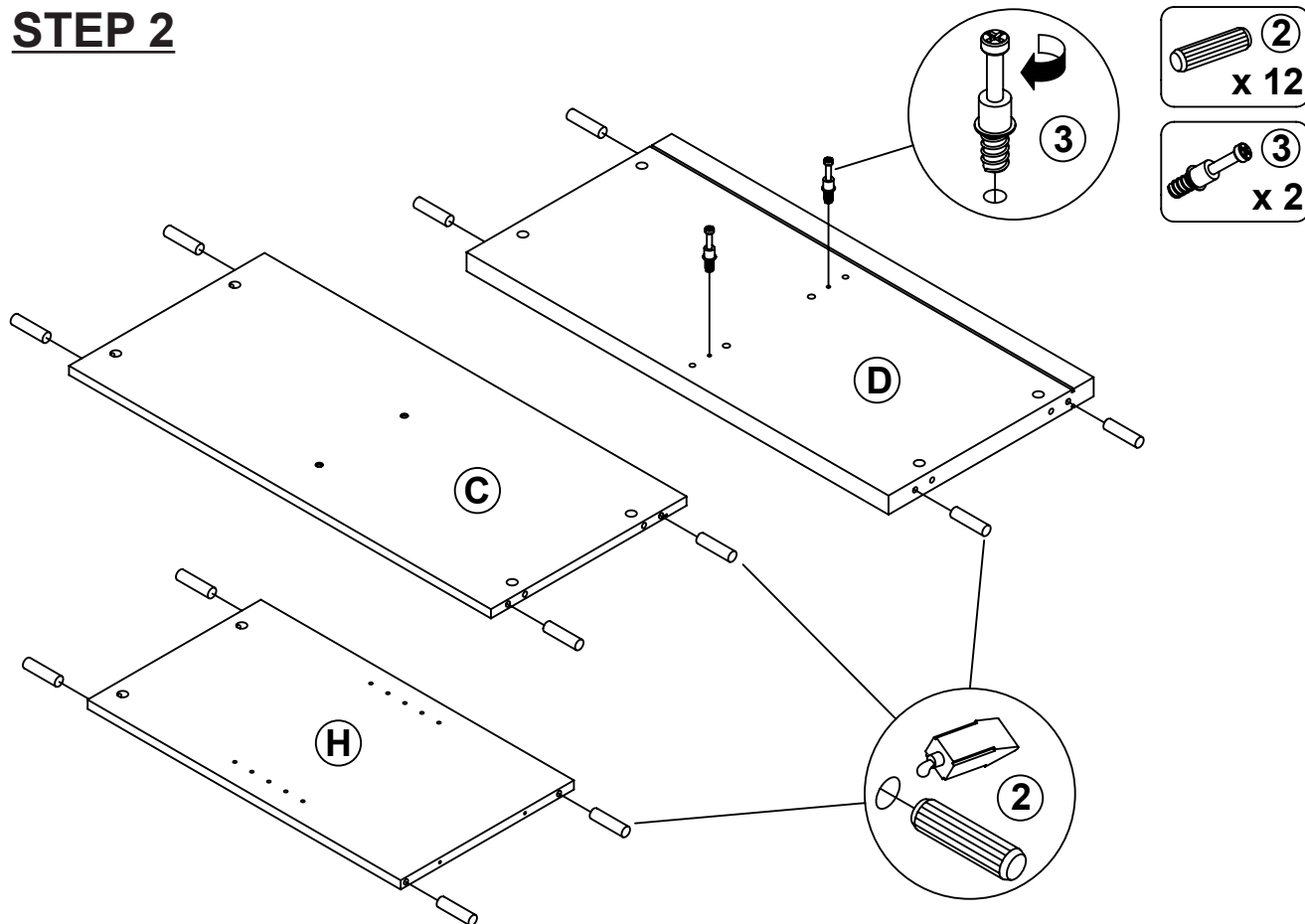
**COASTER**<sup>®</sup>

FINE FURNITURE

**STEP 1**



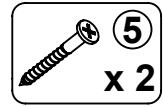
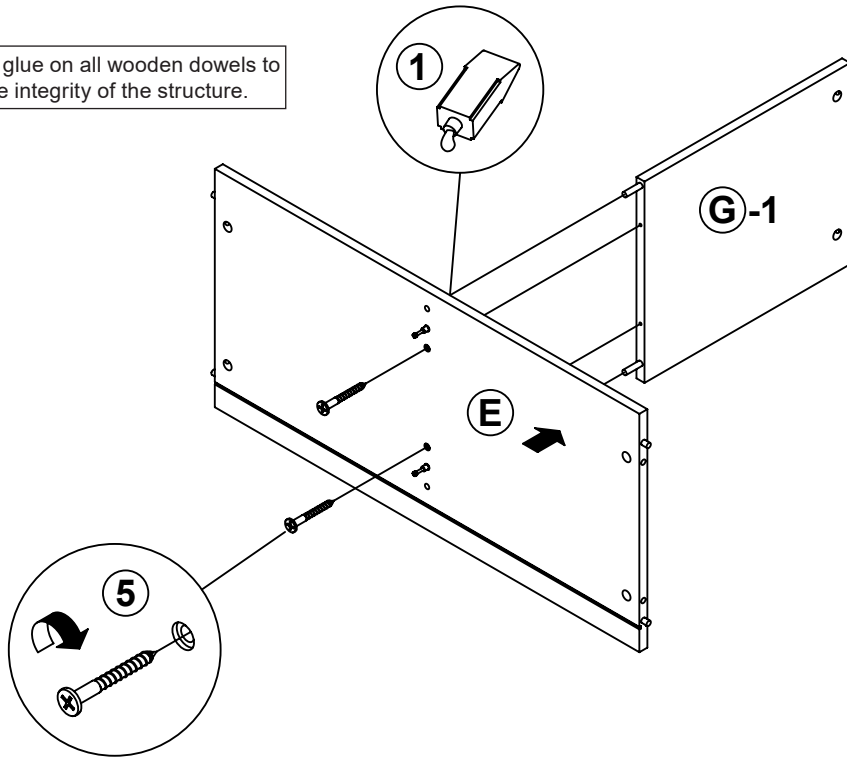
**STEP 2**



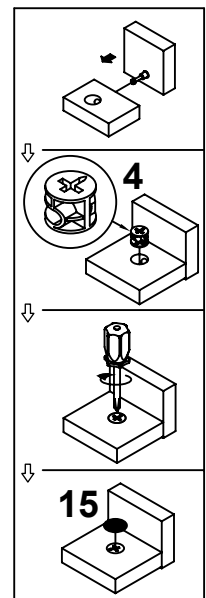
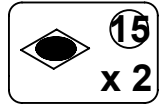
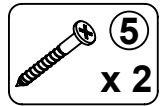
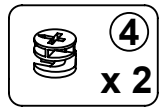
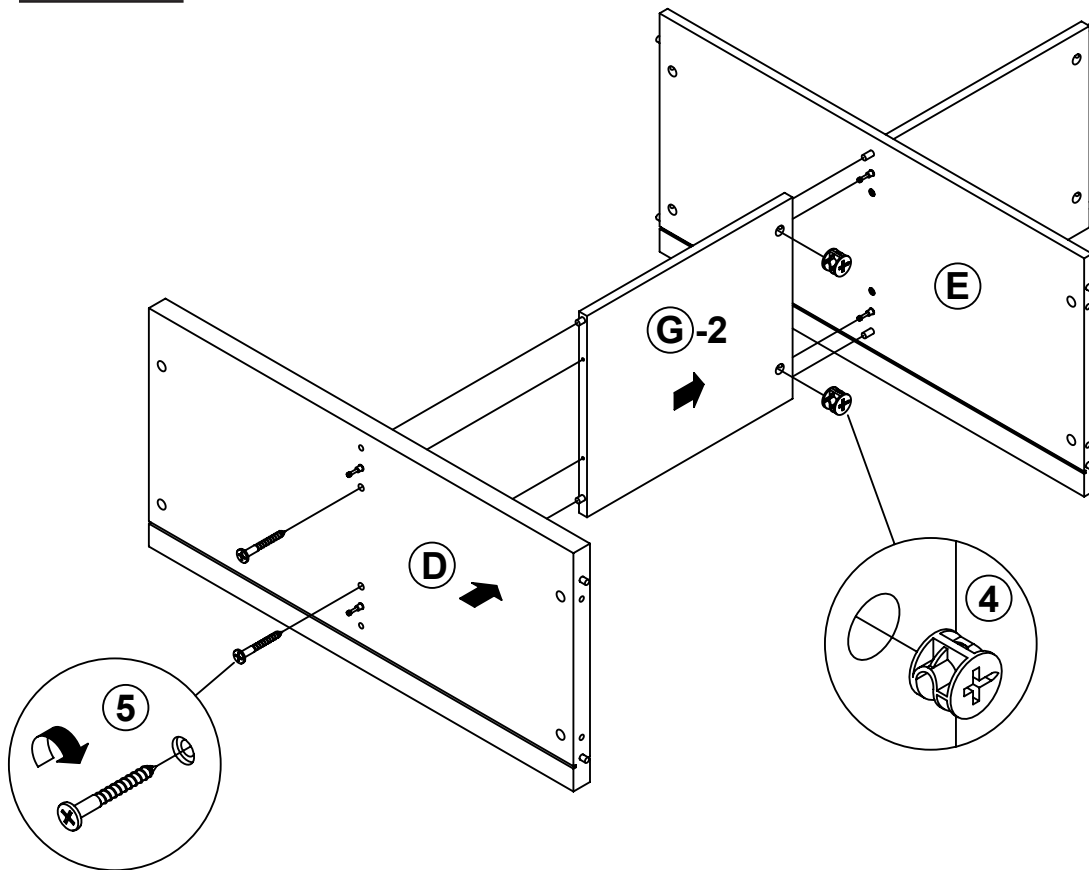
ITEM: 803374

**STEP 3**

Apply glue on all wooden dowels to ensure integrity of the structure.



**STEP 4**

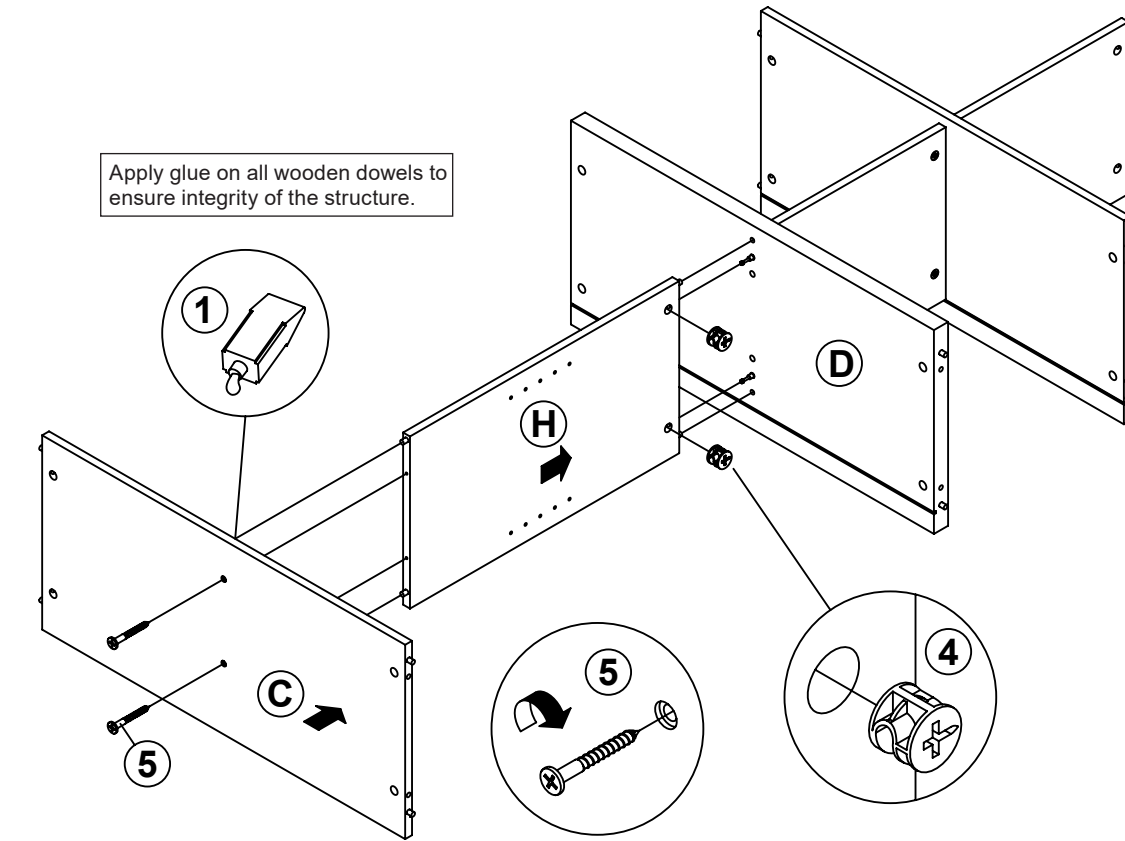
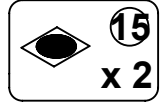
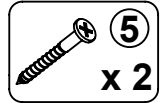
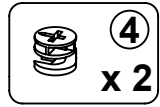


ITEM: 803374

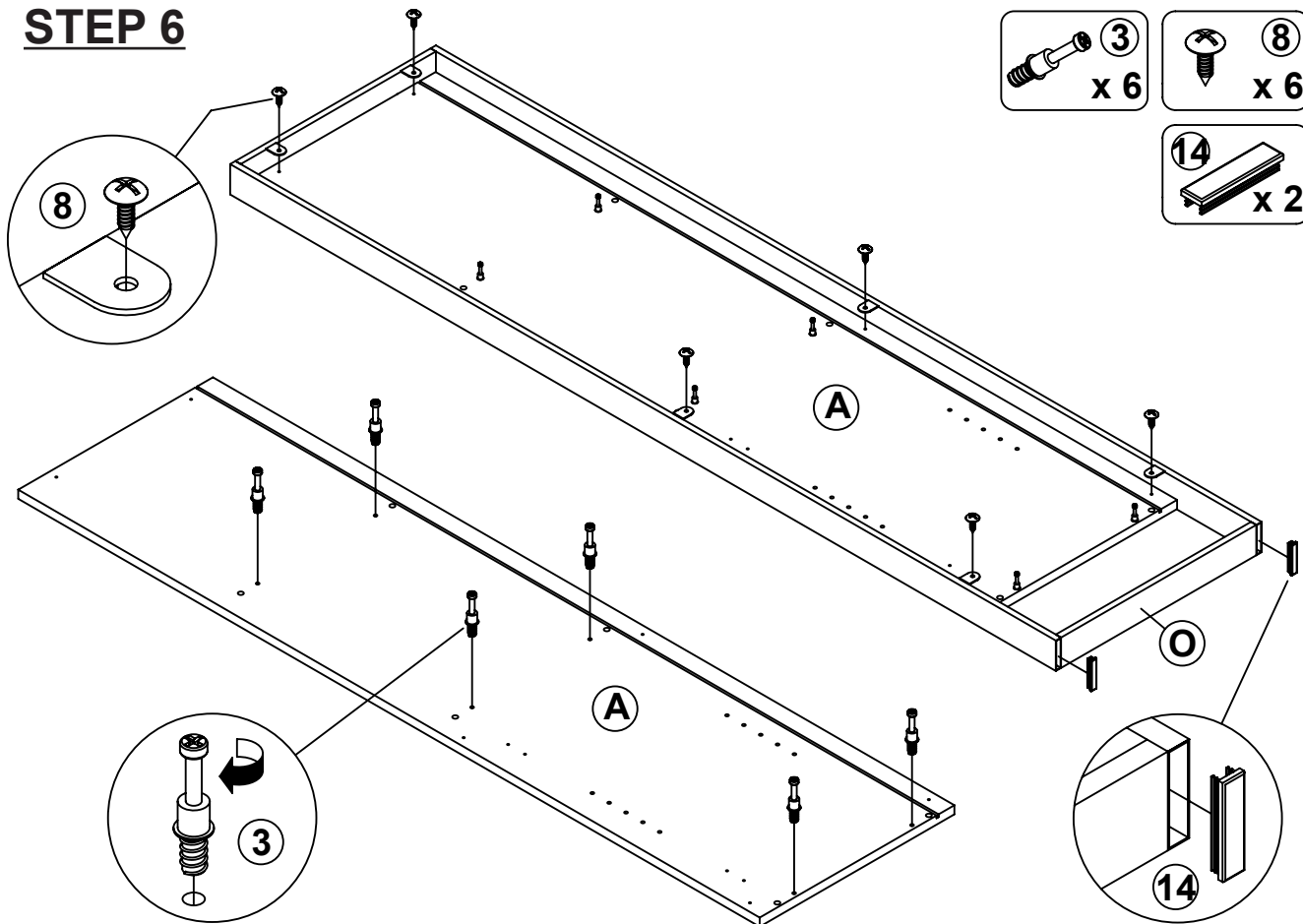
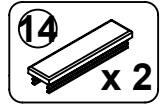
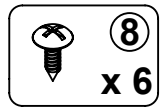
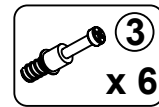
**COASTER**  
FINE FURNITURE

**STEP 5**

Apply glue on all wooden dowels to ensure integrity of the structure.



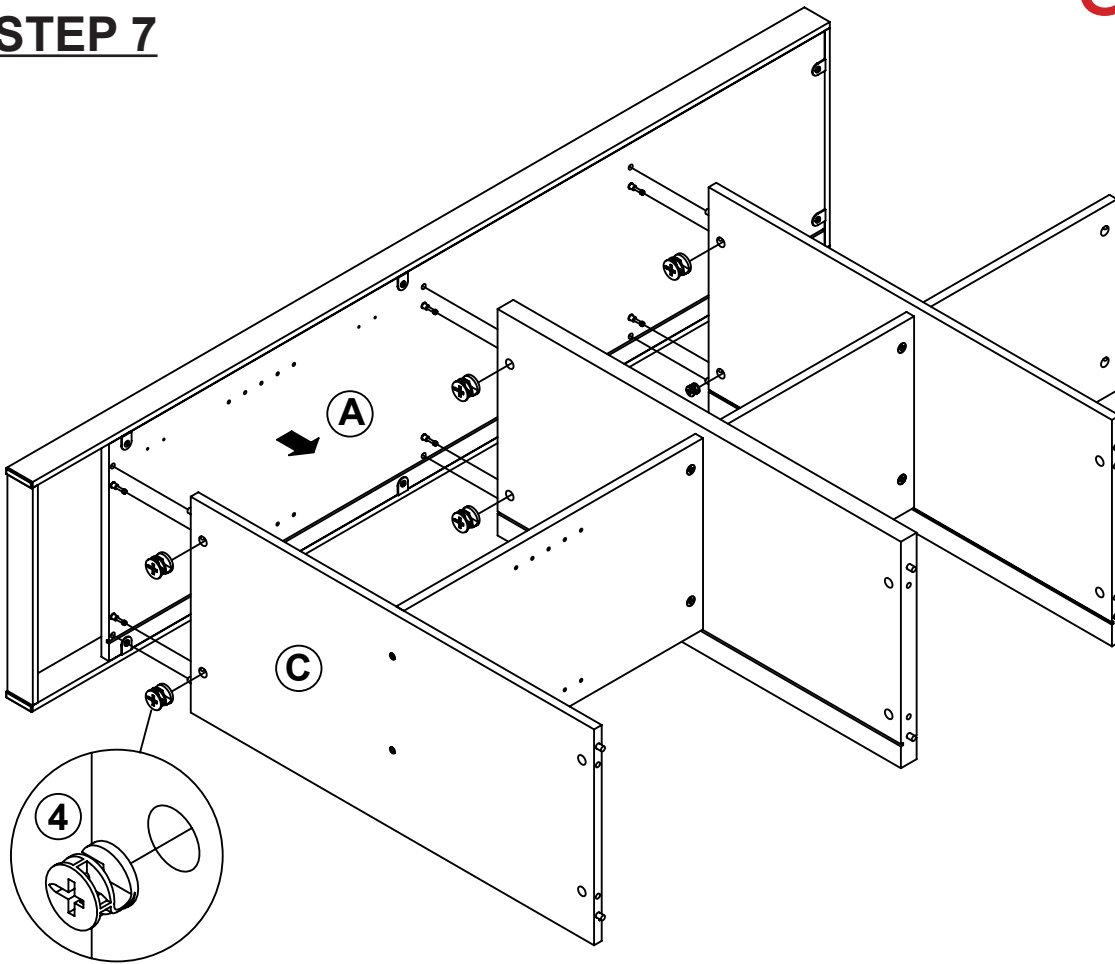
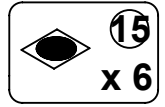
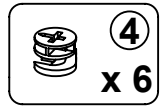
**STEP 6**



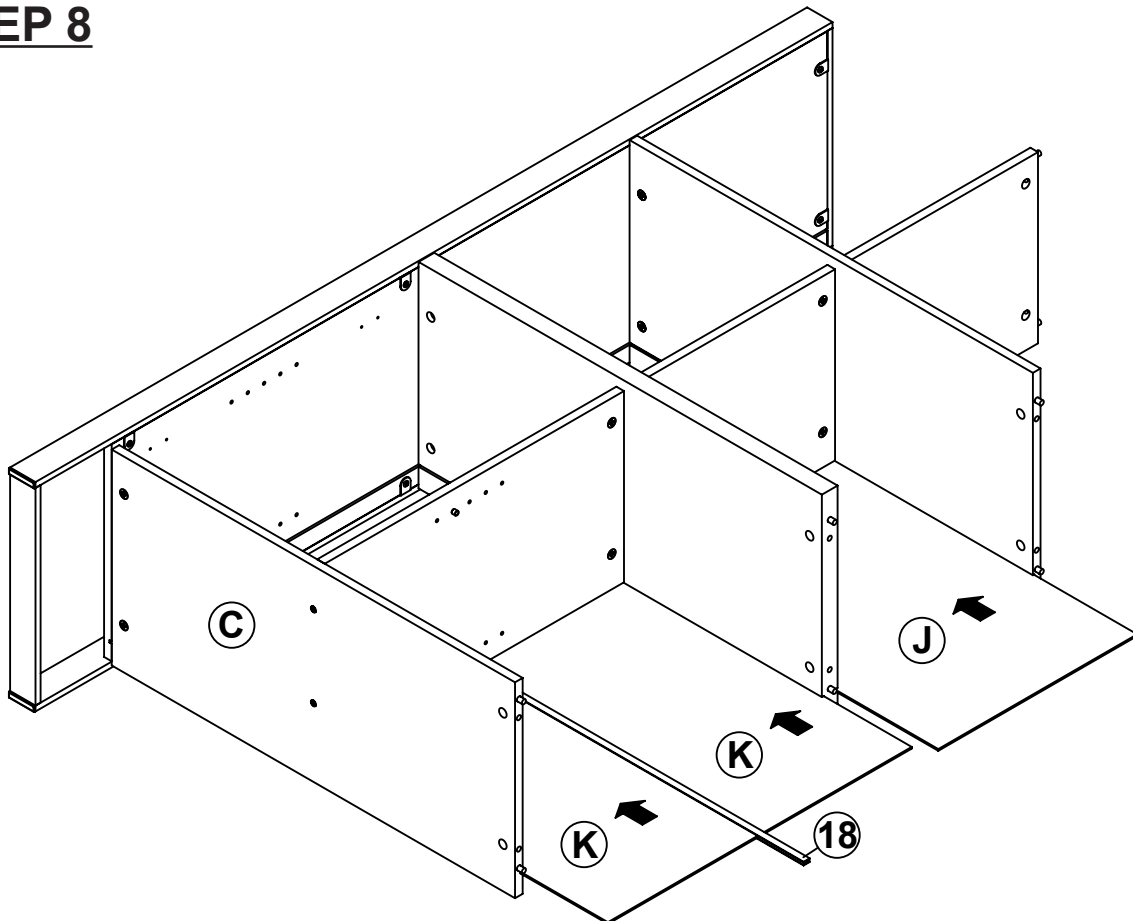
ITEM: 803374

**COASTER**  
FINE FURNITURE

**STEP 7**



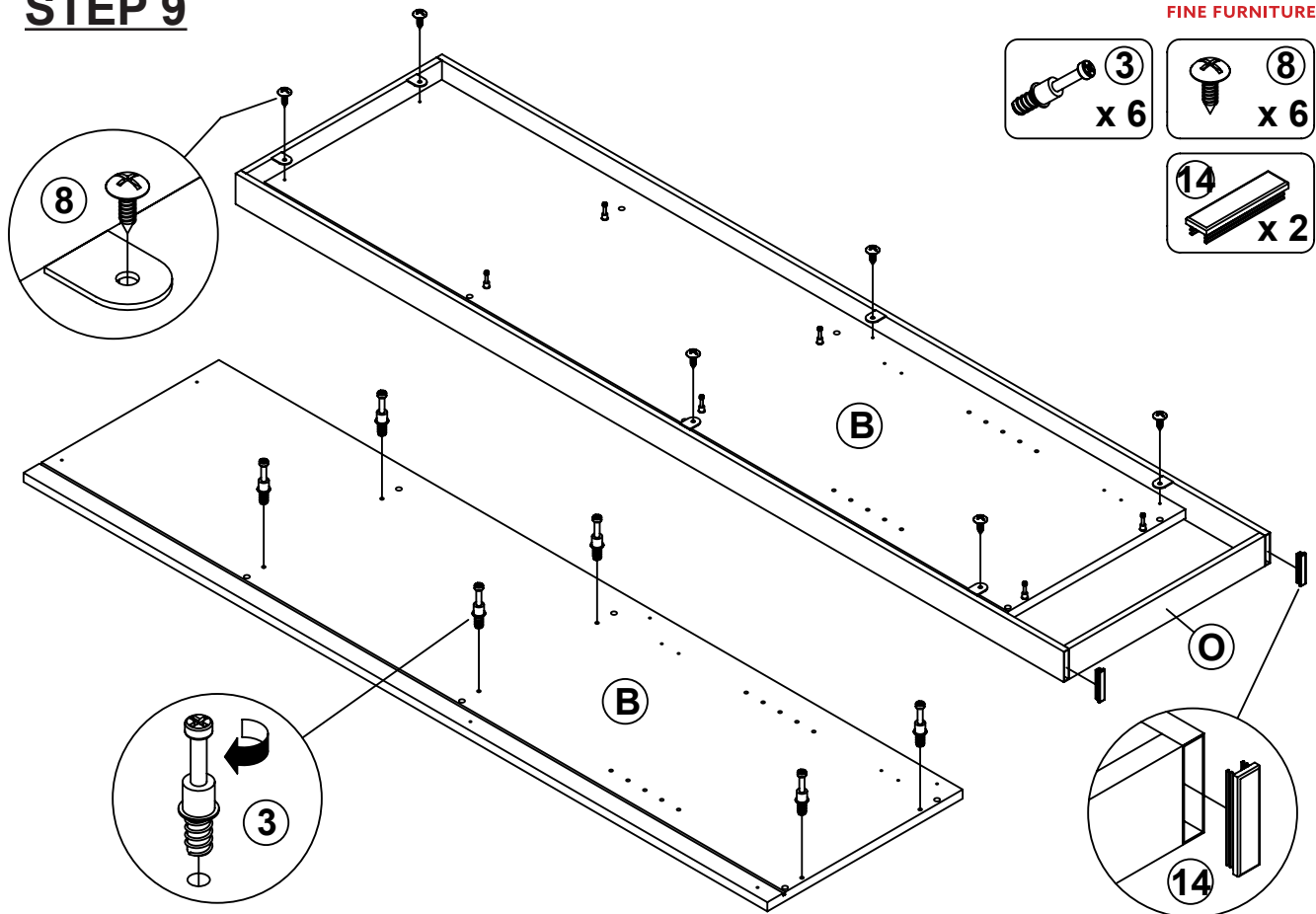
**STEP 8**



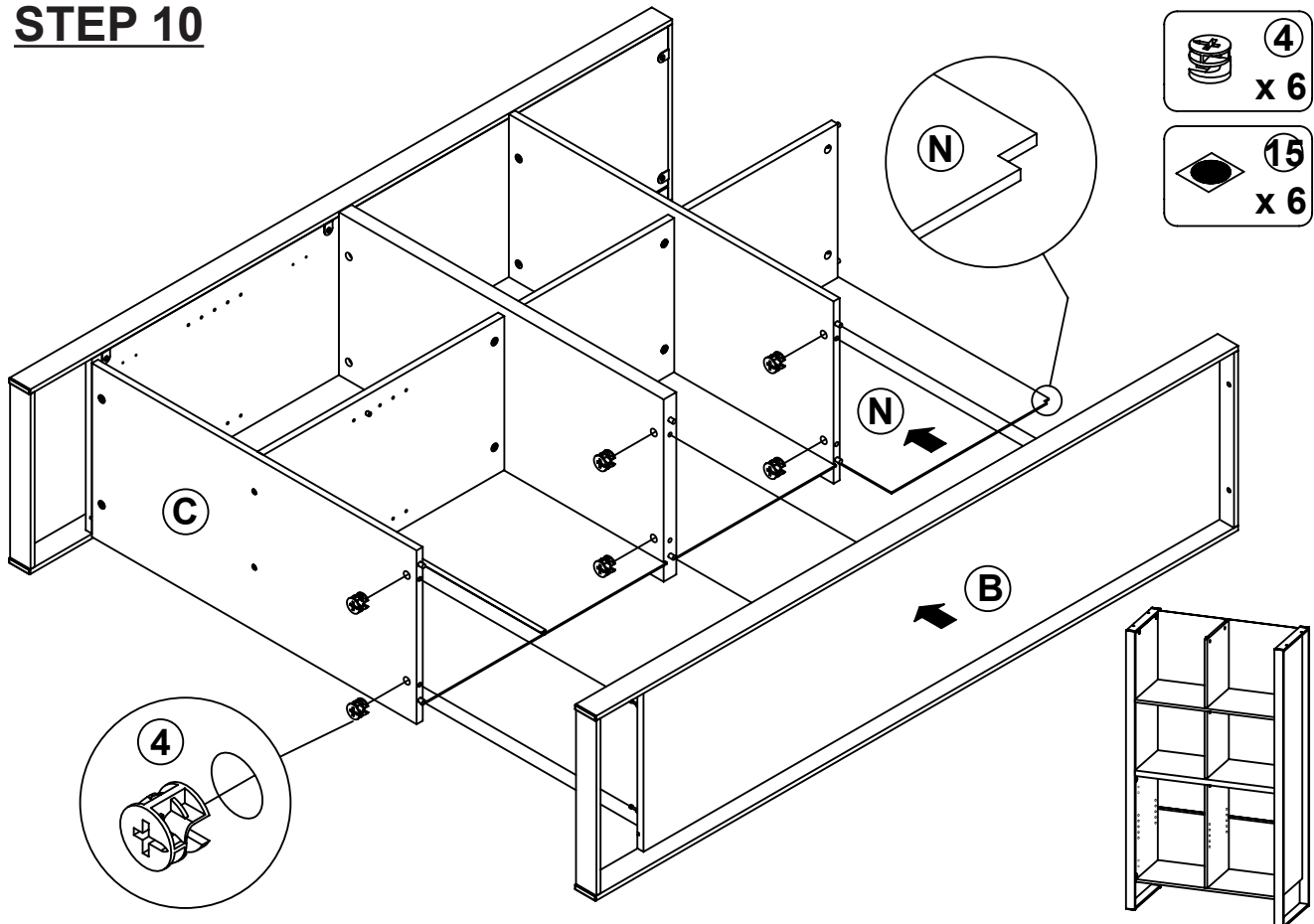
ITEM: 803374

**COASTER**  
FINE FURNITURE

**STEP 9**



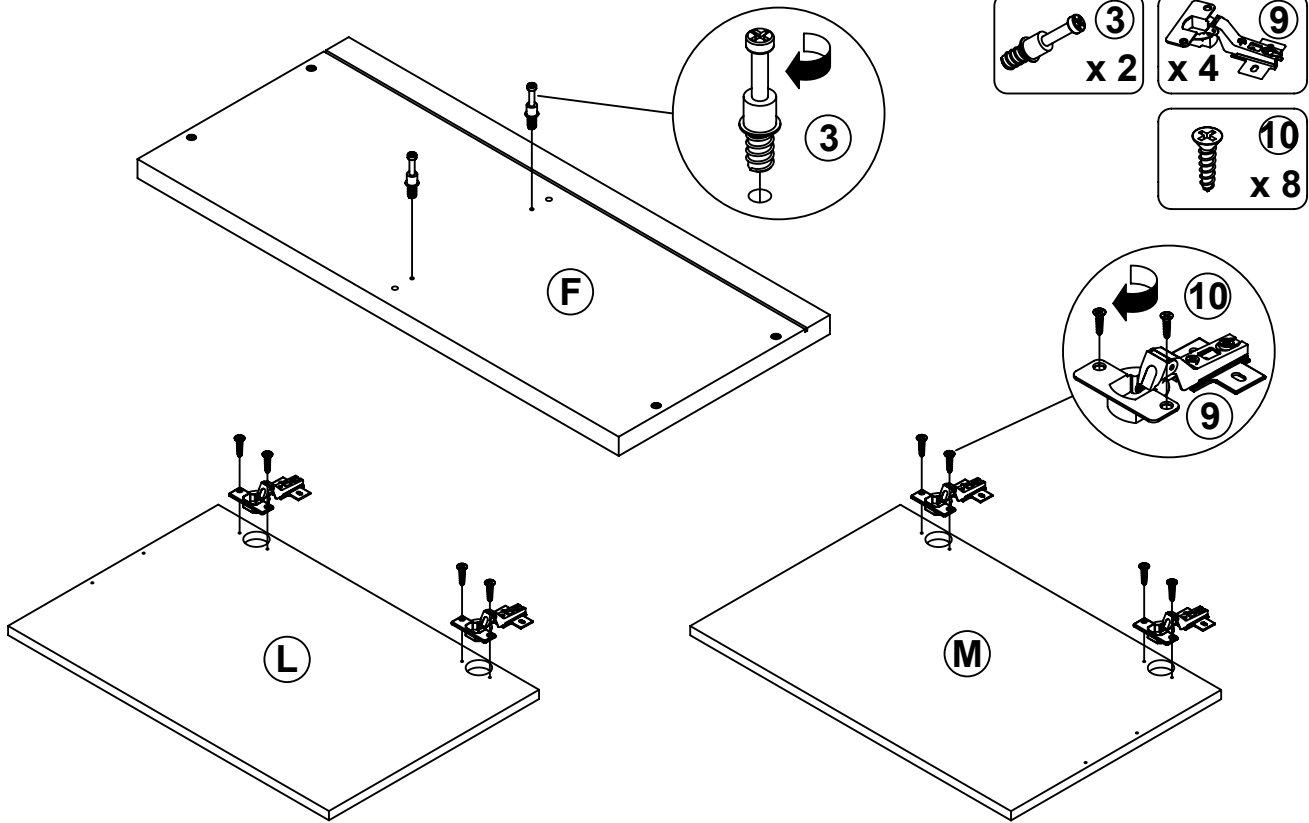
**STEP 10**



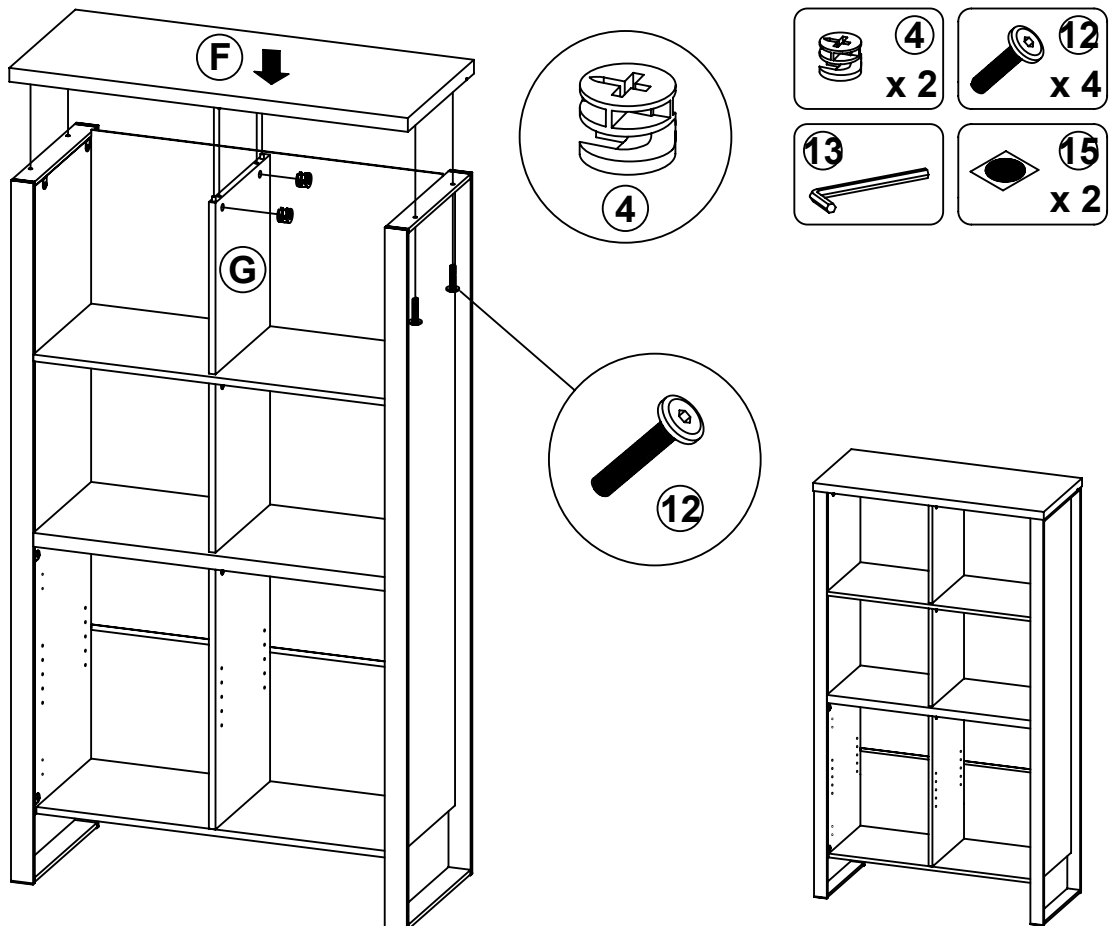


ITEM: 803374

**STEP 11**



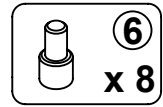
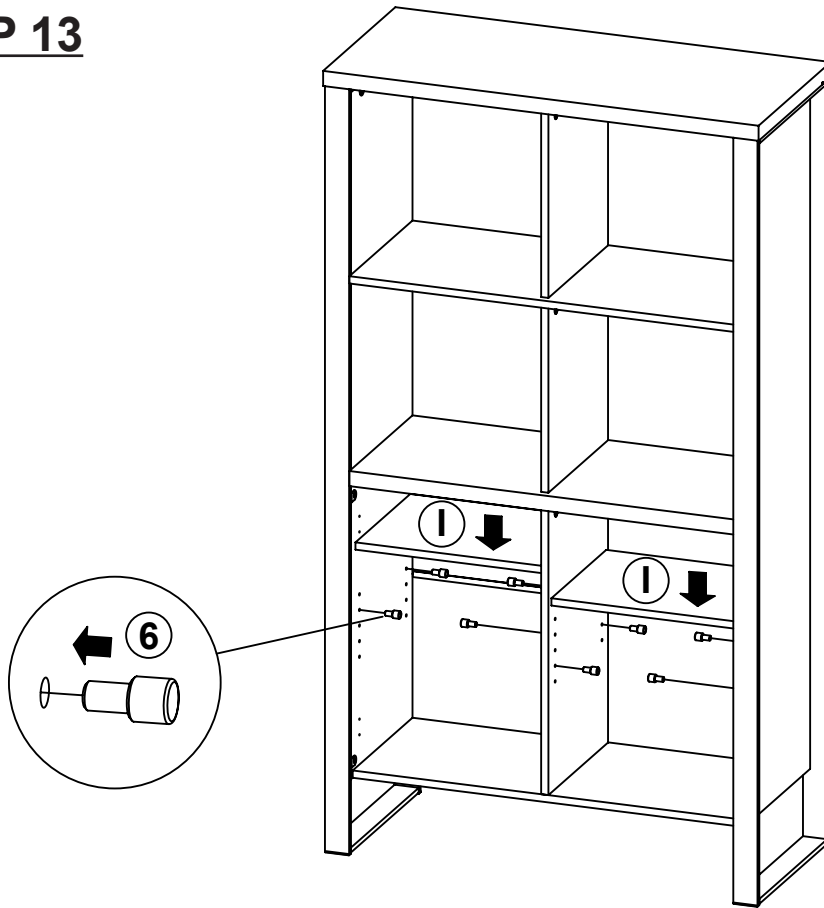
**STEP 12**



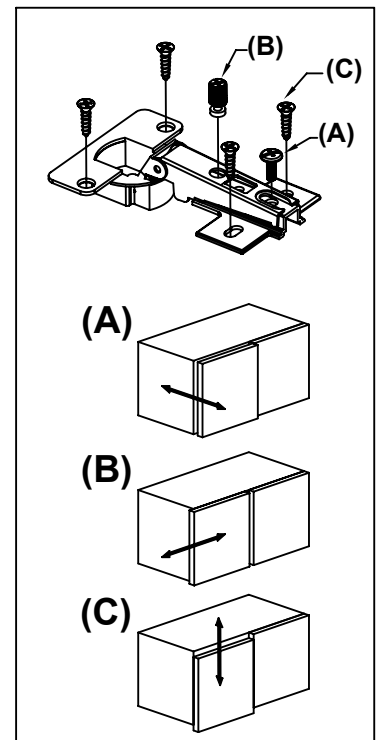
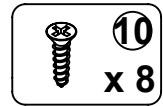
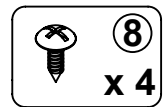
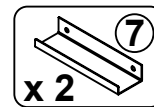
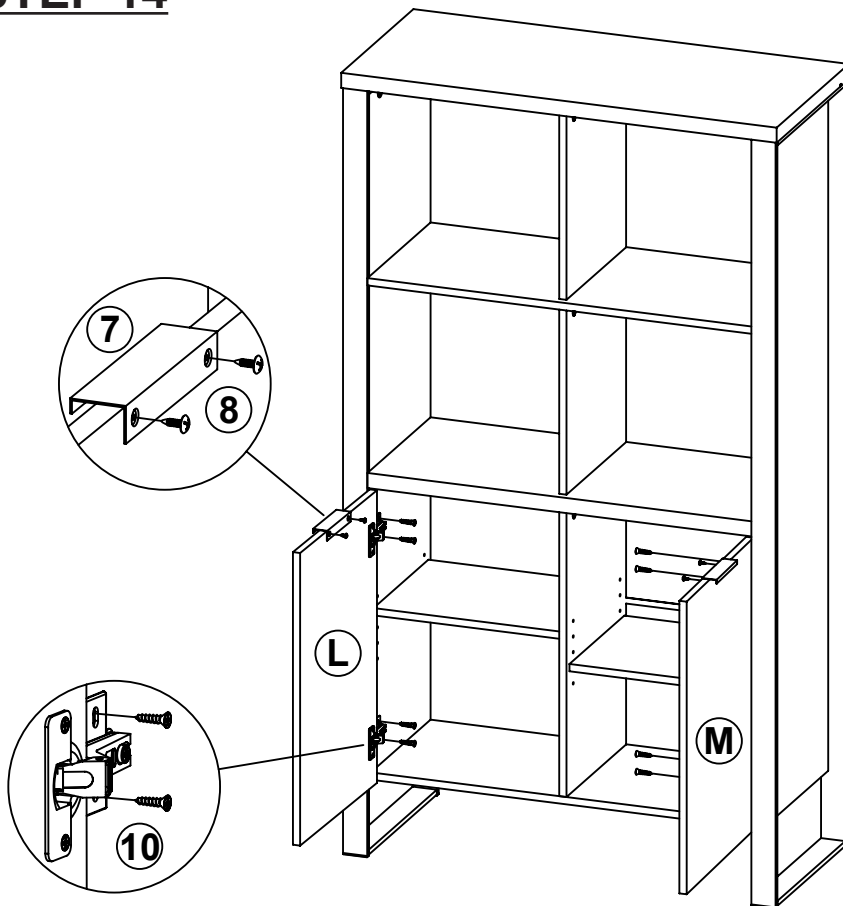
ITEM: 803374

**COASTER**  
FINE FURNITURE

**STEP 13**



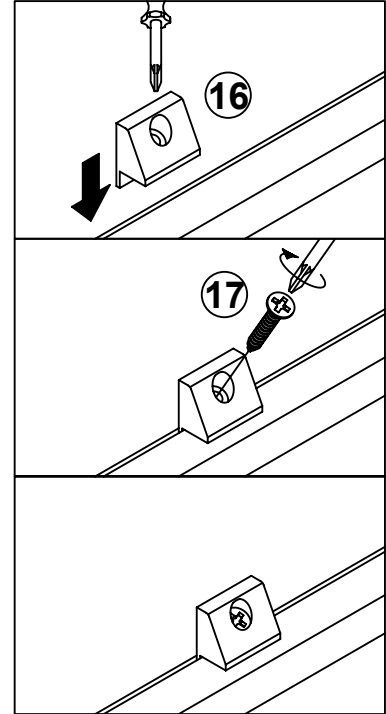
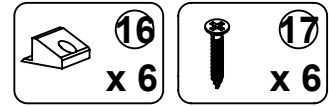
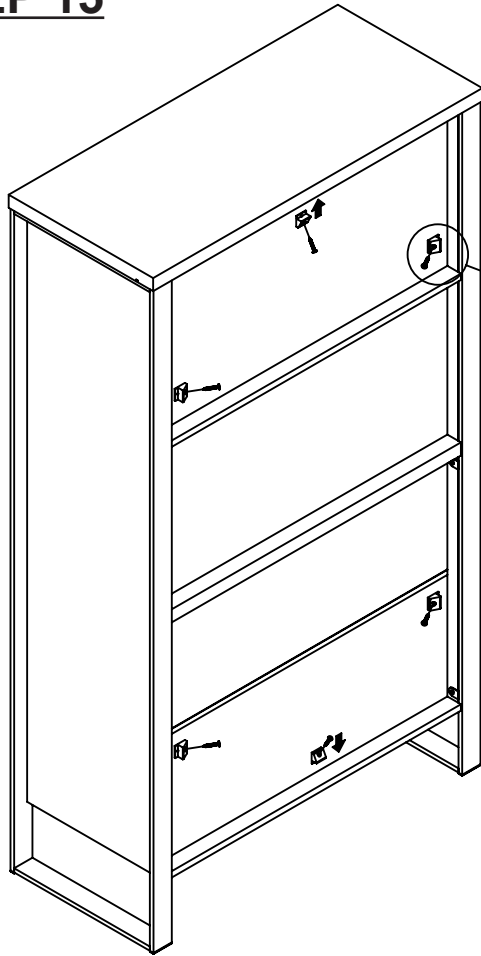
**STEP 14**



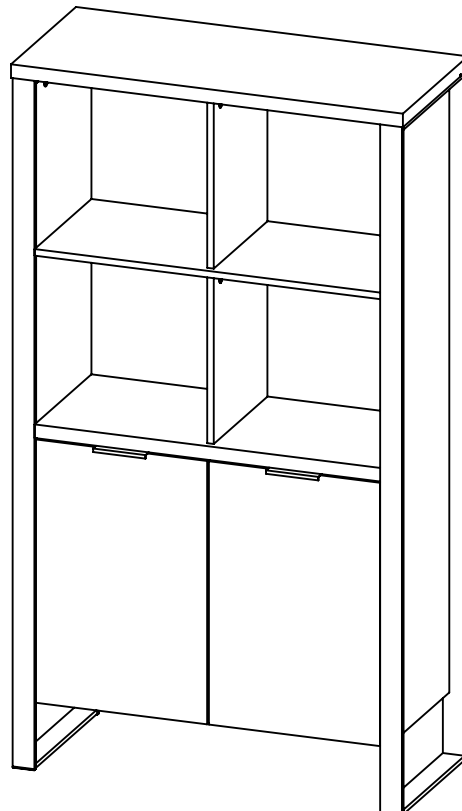
ITEM: **803374**

**COASTER**  
FINE FURNITURE

**STEP 15**



**STEP 16**  
**COMPLETE**



# ANTI-TIPPING INSTALLMENT INSTRUCTIONS

## FURNITURE TIPPING RESTRAINT

### WARNING

Injury may result from tipping furniture.  
This restraint may protect against tipping furniture.  
Do not allow children to climb on furniture.  
This restraint is not a substitute for proper adult supervision.  
Failure to detach this restraint before moving the furniture  
may result in injury and damage.

1. To attach the anti-tip strap, securely mount one end to the top of the case piece with the 5/8" screw.
2. Position the case piece against the wall in the desired location.
3. Pull the anti-tip strap taut and mark the position of where you will secure the other end on the wall.
4. Drill a 1-1/4" hole in the spot you marked.
5. Tap in plastic wall plug.
6. Fasten anti-tip strap with wall screw provided.

**(Please install the anti-tipping kit in the middle of the case piece if only have one set of anti-tipping kit.)**

