



ASSEMBLY INSTRUCTIONS
COASTER FINE FURNITURE



Fine Furniture for every stage of life

603412PP
POWER 2 LOVESEAT

REVISION 1:12/29/2018
REVISION 2:07/15/2019

COASTERFURNITURE.COM

PAGE 1 OF 3

ITEM: 603412PP
ASSEMBLY INSTRUCTIONS



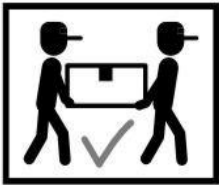
ASSEMBLY TIPS:

1. Remove hardware from box and sort by size.
2. Please check to see that all hardware and parts are present prior to start of assembly.
3. Please follow attached instructions in the same sequence as numbered to assure fast & easy assembly.



WARNING!

1. Don't attempt to repair or modify parts that are broken or defective. Please contact the store immediately.
2. This product is for home use only and not intended for commercial establishments.



ASSEMBLY TIME PER UNIT 20 MINUTES

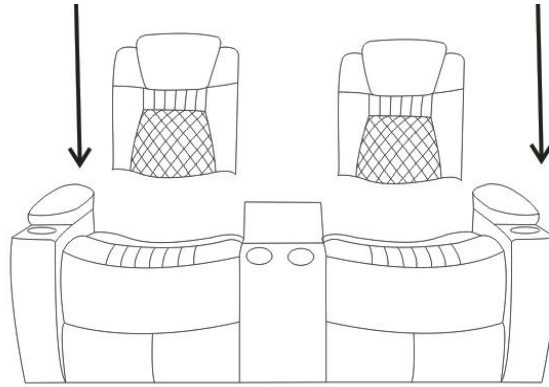
PARTS IDENTIFICATION

| | | | |
|---|--|------------------|-------|
| A | | BASE | 1 PC |
| B | | LEFT BACK | 1 PC |
| C | | CONSOLE BACK | 1 PC |
| D | | RIGHT BACK | 1 PC |
| E | | POWER CABLE | 1 PC |
| Z | | HARDWARE PACKAGE | 2 PCS |
| 1 | | BOLT | |

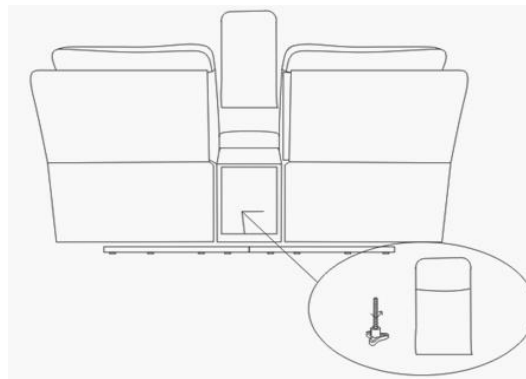
ITEM: 603412PP
ASSEMBLY INSTRUCTIONS



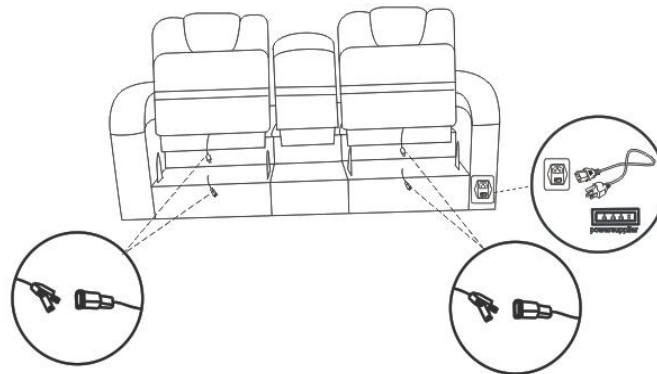
STEP1



STEP2



STEP3



STEP4

