

ASSEMBLY INSTRUCTIONS
COASTER FINE FURNITURE

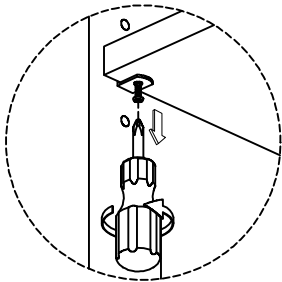


Fine Furniture for every stage of life

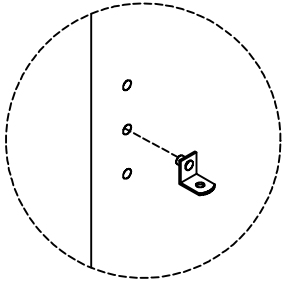
222857
Floating Chest

ITEM: **222857**

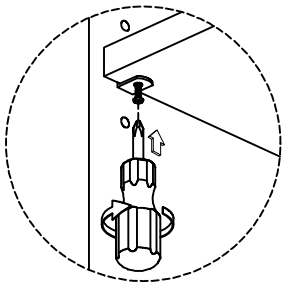
OPTIONAL ADJUSTABLE SHELF



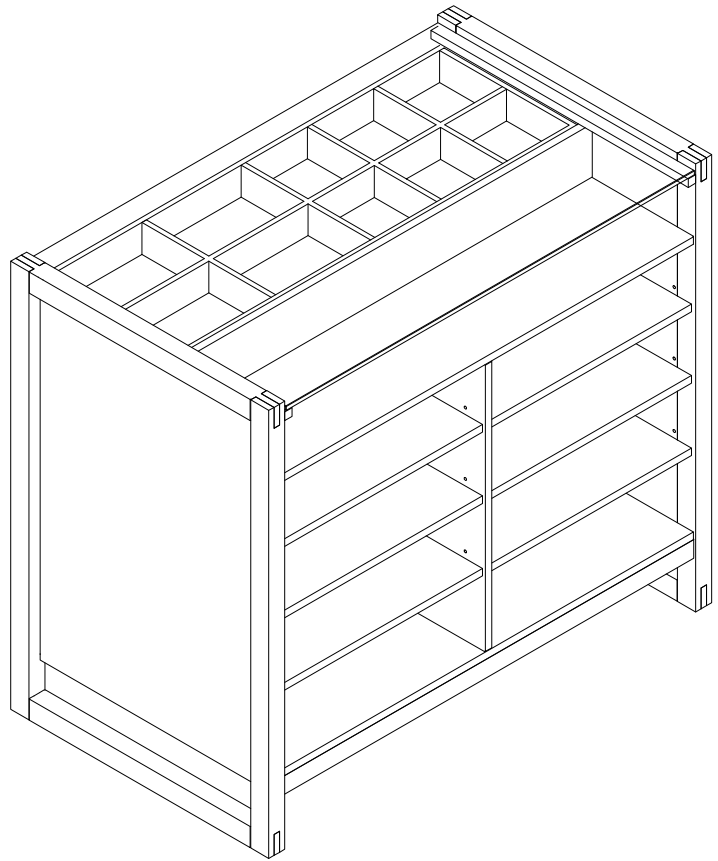
1.1



1.2



1.3

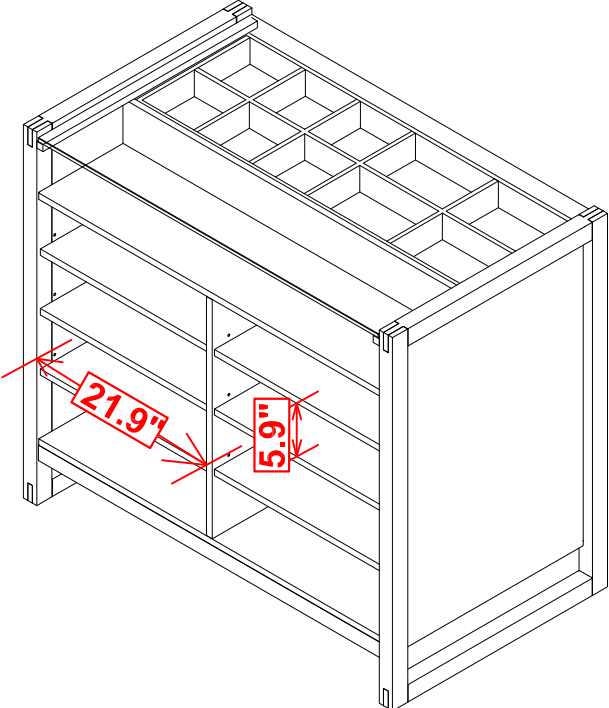
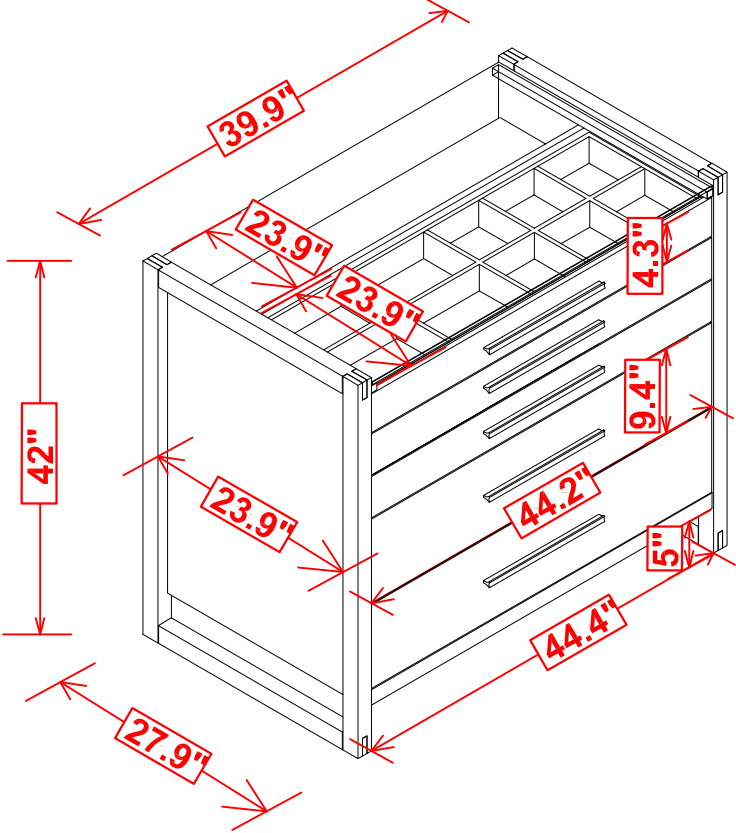


NOTE:
Phillips head screw driver is required in the assembly process; however, manufacturer does not provide this item.

ITEM:222857



INNER SIZE OF DRAWER A : 42.5" x 14" x 2.2"
INNER SIZE OF DRAWER B : 42.5" x 14" x 6.6"



Note : Dimension tolerance $\pm 5\%$