

ASSEMBLY INSTRUCTIONS
COASTER FINE FURNITURE



Fine Furniture for every stage of life

222859
Floor Mirror

ITEM: 222859

ASSEMBLY INSTRUCTIONS

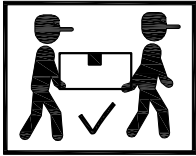
ASSEMBLY TIPS:

1. Remove hardware from box and sort by size.
2. Please check to see that all hardware and parts are present prior to start of assembly.
3. Please follow attached instructions in the same sequence as numbered to assure fast & easy assembly.

WARNING!



1. Don't attempt to repair or modify parts that are broken or defective. Please contact the store immediately.
2. This product is for home use only and not intended for commercial establishments.



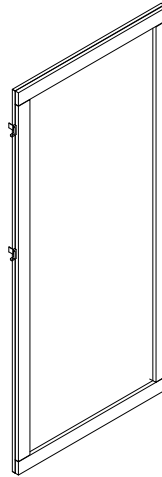
ASSEMBLY TIME

5 MINUTES

PARTS IDENTIFICATION

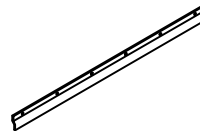
A FLOOR MIRROR

1PC



D HANGING PLATE
(PACKED WITH MIRROR)

2PCS



HARDWARE IDENTIFICATION

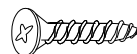
1 PLASTIC ANCHOR
(S6-GRAY)

6PCS



2 SHORT FLAT HEAD SCREW
(3 x 15mm - BLK)

6PCS



3 LONG FLAT HEAD SCREW
(4 x 50mm - BLK)

6PCS



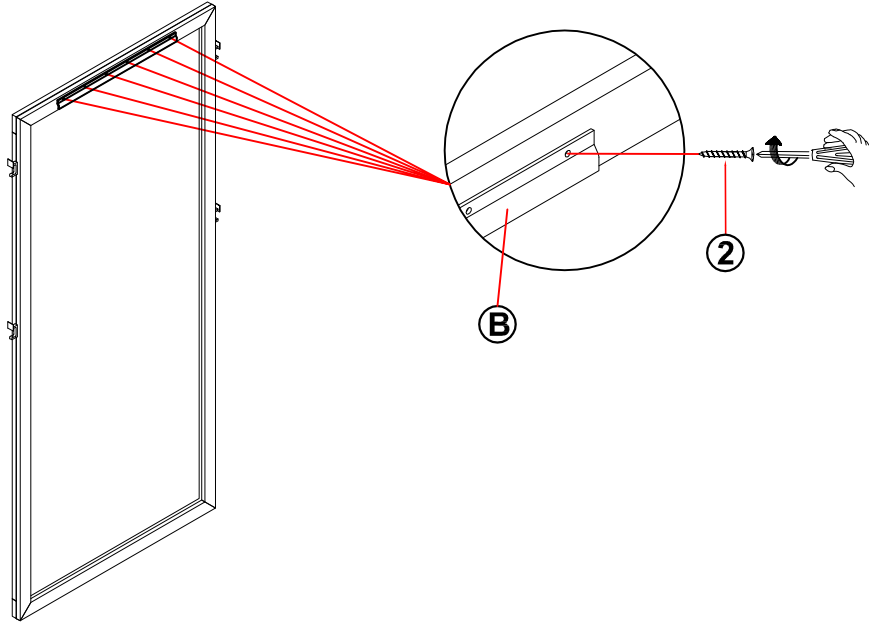
NOTE:
Phillips head screw driver is required in the assembly process; however, manufacturer does not provide this item.

ITEM: **222859**

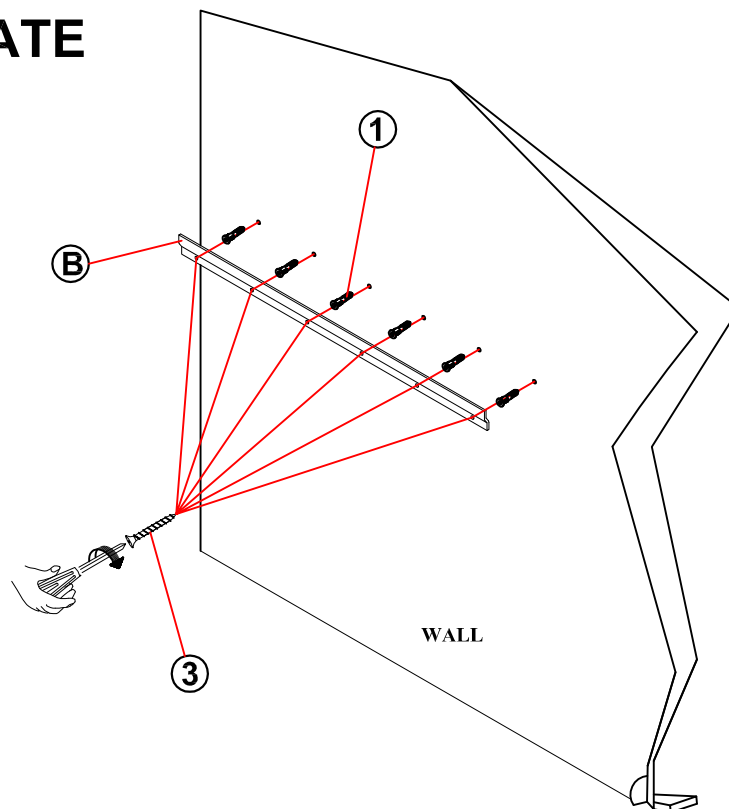
ASSEMBLY INSTRUCTIONS

STEP 1

FOR HANGING PLATE



STEP 2
FOR HANGING PLATE

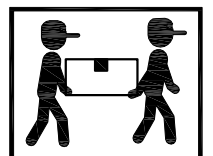
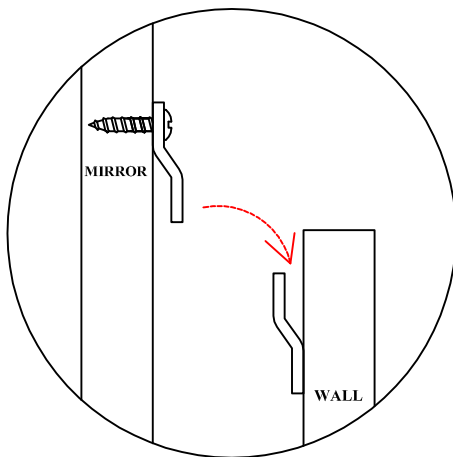
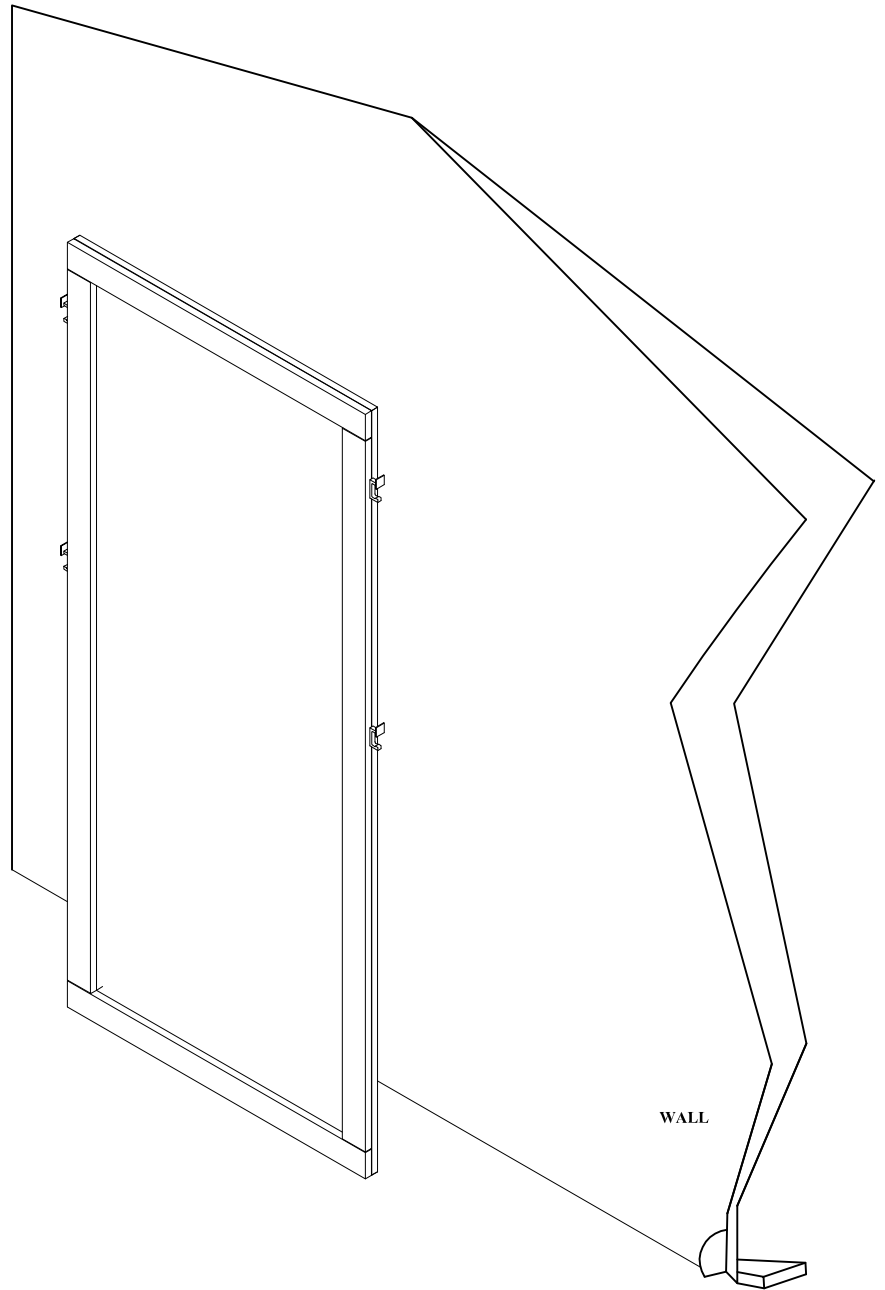


ITEM: **222859**

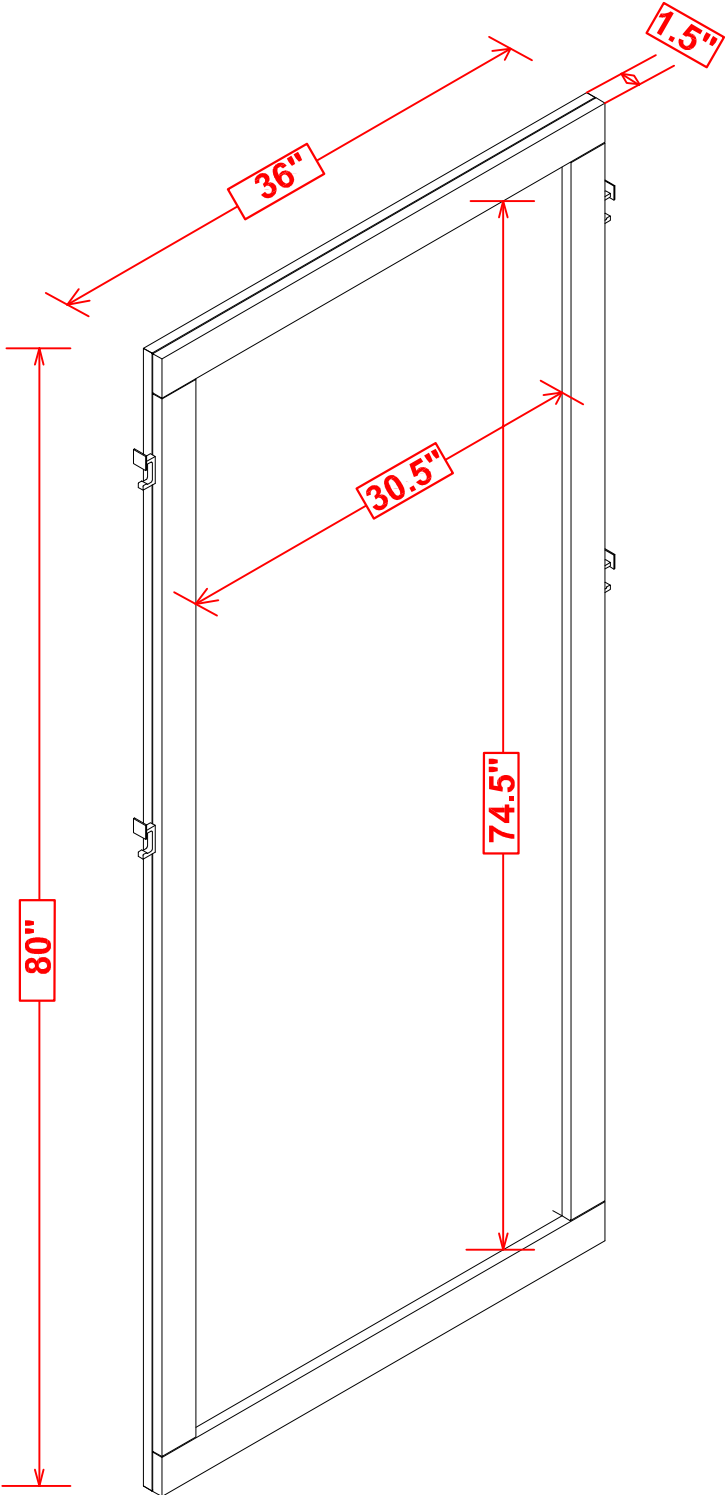
ASSEMBLY INSTRUCTIONS

STEP 3

**FOR HANGING PLATE
COMPLETE**



ITEM:222859



Note : Dimension tolerance $\pm 5\%$