



*ASSEMBLY INSTRUCTION
COASTER FINE FURNITURE*



360092
SOFA BED

REVISION 0 : 05/01/2019
REVISION 1 : 07/10/2019
REVISION 2 : 08/07/2019

Page 1 of 5

COASTERFURNITURE.COM

ITEM: **360092**

ASSEMBLY INSTRUCTION



ASSEMBLY TIPS:

1. Remove hardware from box and sort by size.
2. Please check to see that all hardware and parts are present prior to start of assembly.
3. Please follow attached instructions in the same sequence as numbered to assure fast & easy assembly.

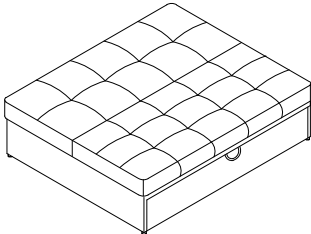
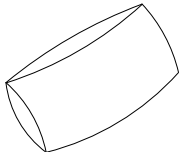
Warning !

1. Don't attempt to repair or modify parts that are broken or defective. Please contact the store immediately.
2. This product is for home use only and not intended for commercial establishment.

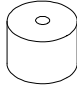
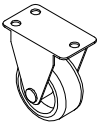




ASSEMBLY TIME 10 MINUTES

PARTS IDENTIFICATION:

A	Sofa bed		1pc
B	Pillows		2pcs

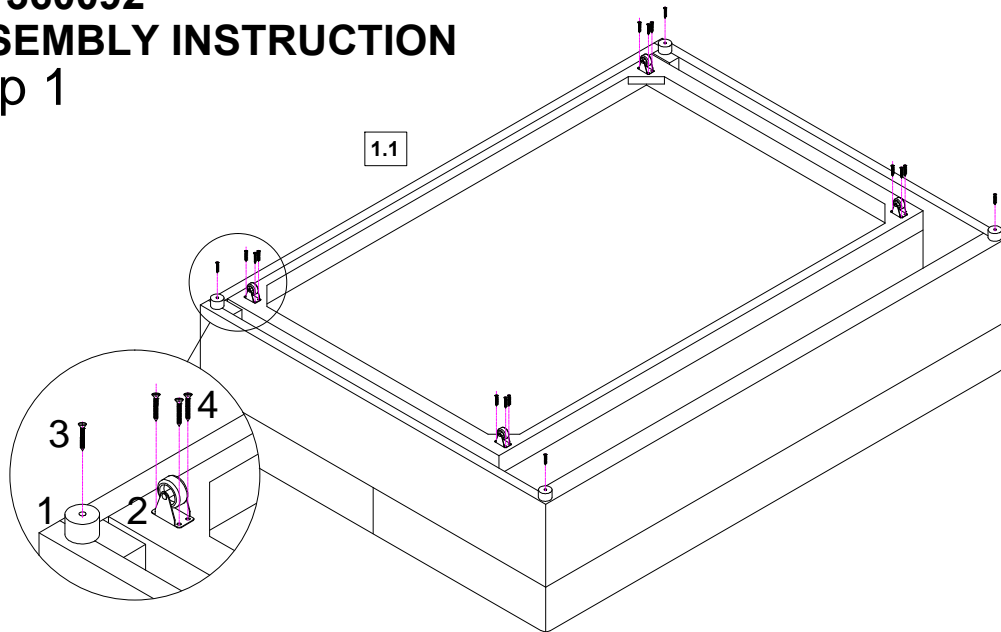
HARDWARE IDENTIFICATION:

1	Leg (BLK)		4PCS
2	Wheel (SLV)		4PCS
3	Screw A (BLK) 5CM		4PCS
4	Screw B (BLK) 2.5CM		12PCS

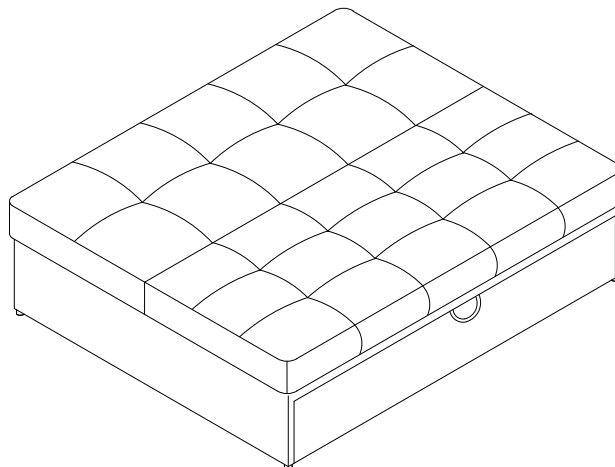
NOTE:

Phillips head screw driver is required in the assembly process; however, manufacturer does not provide this item .

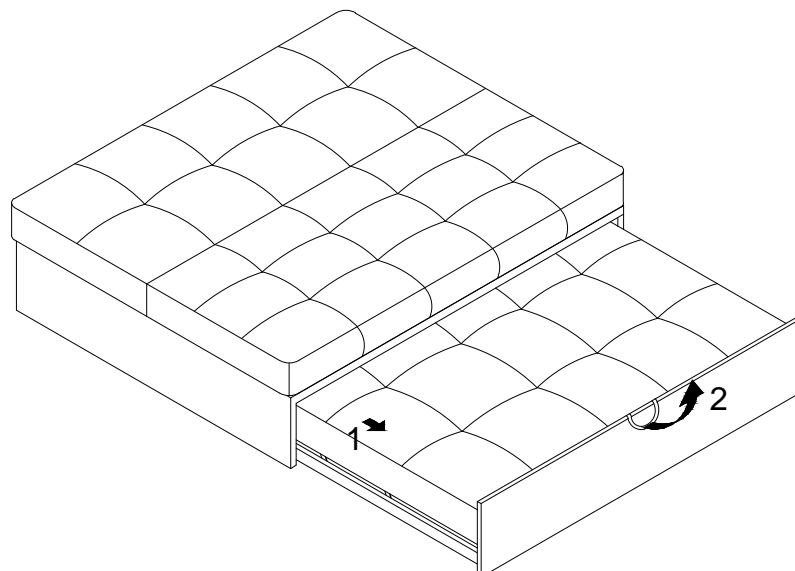
ITEM: **360092**
ASSEMBLY INSTRUCTION
step 1



step 2
COMPLETE

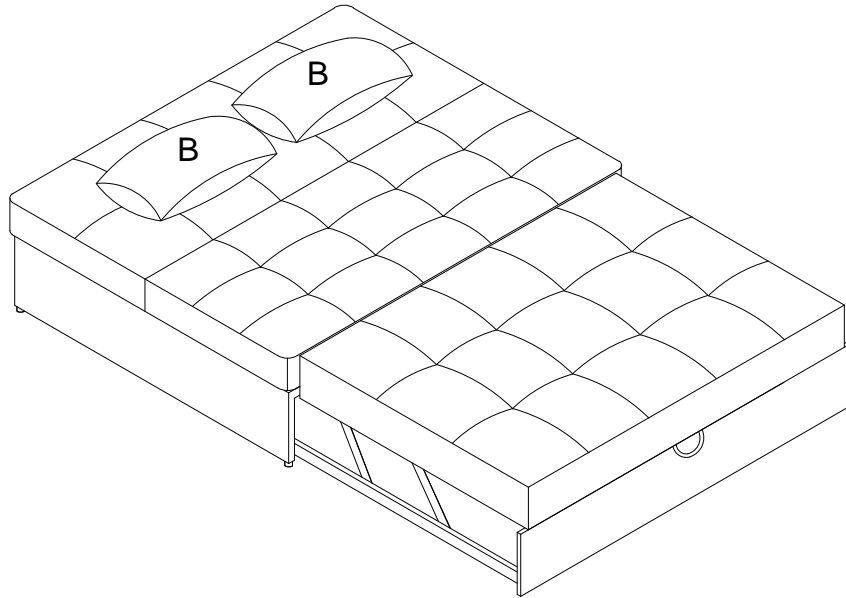


step 3
COMPLETE



ITEM: **360092**
COMPLETE
step 4

COASTER
FINE FURNITURE



step 5
COMPLETE

