



ASSEMBLY INSTRUCTIONS
COASTER FINE FURNITURE



Fine Furniture for every stage of life

602335
Glider Motion Loveseat

ITEM : **602335**

ASSEMBLY INSTRUCTIONS

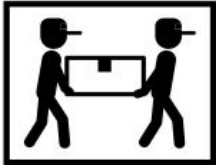
ASSEMBLY TIPS:

- 1.Remove hardware from box and sort by size.
- 2.Please check to see that all hardware and parts are present prior to start of assembly.
- 3.Please follow attached instruction in the same sequence as numbered to assure fast & easy assembly.



WARNING!

- 1.Don't attempt to repair or modify parts that are broken or defective. Please contact the store immediately.
- 2.This product is for home use only and not intended for commercial establishment.



ASSEMBLY TIME

10 MINUTES

PARTS IDENTIFICATION

A LEFT BACK



1PC

B RIGHT BACK



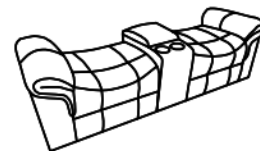
1PC

C MIDDLE BACK



1PC

D BASE

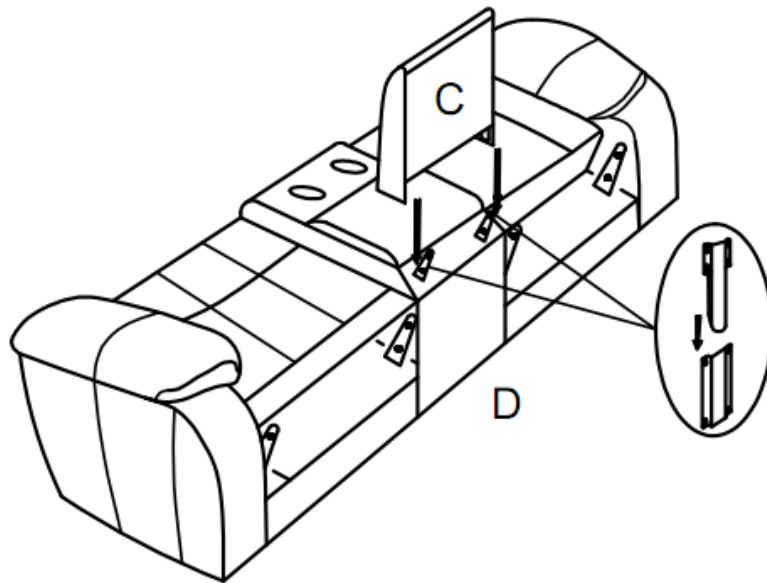


1PC

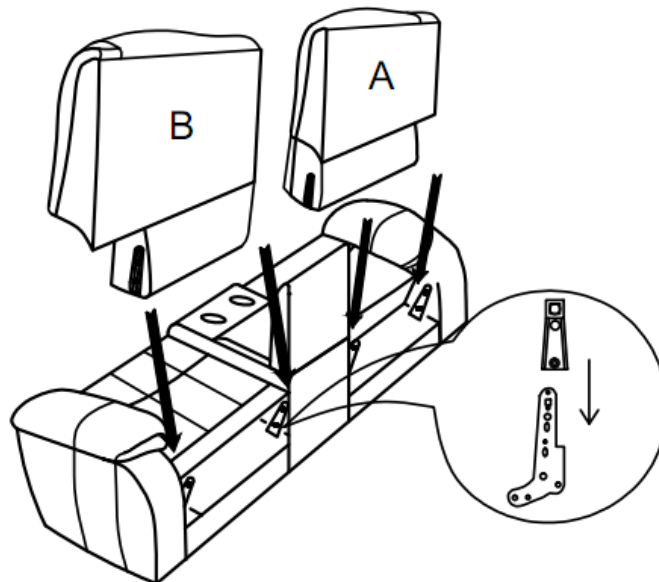
ITEM : **602335**

ASSEMBLY INSTRUCTIONS

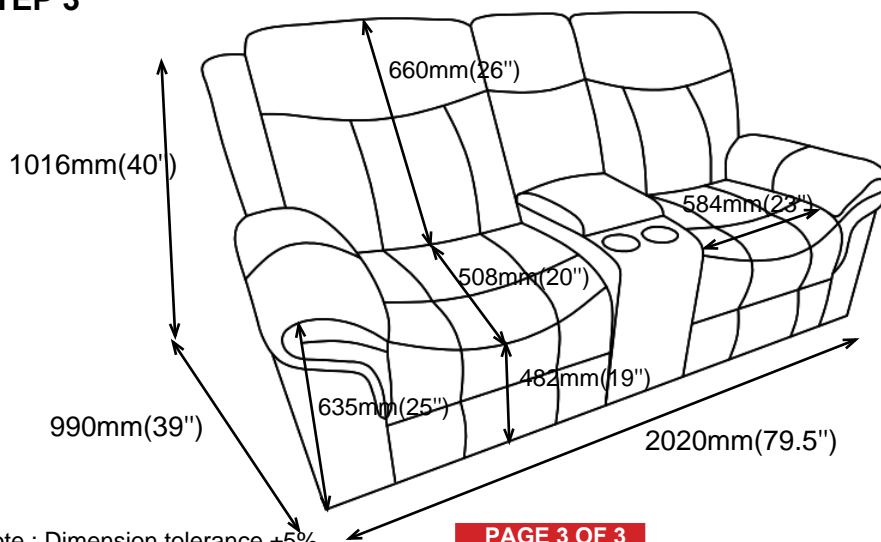
STEP 1



STEP 2



STEP 3



Note : Dimension tolerance $\pm 5\%$

